

# NVP Series



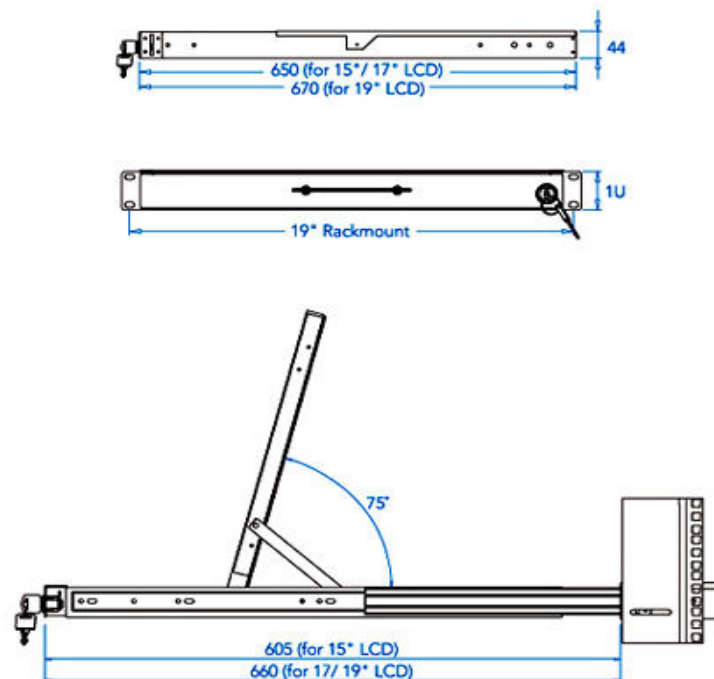
**Model: NVP1617d**

**1U Rack mount 17" TFT SAMSUNG LCD Monitor  
Keyboard Drawer**

## Features and Benefits:

- Only 1U (1.75" high) of vertical 19" rack-mount space.
- Laptop-style tilting display provides for short pull-out and minimal intrusion into the aisle space in front of the rack.
- High-brightness 300-nit, TFT LCD Panel and high contrast-ration active TFT LCD flat panel integrated folding display.
- 17" display supporting 1280 x 1024 resolution.
- Full 95-keys Windows keyboard (including a dedicated numeric keypad), and an integrated 19mm 3-buttons trackball. Optional for other keyboard type see Recommend Accessories for more details.
- Adjustable rear mounting support, up to 35-inches in depth.
- Smooth-operating sliding rails that self-lock when pulled all the way out.
- Removable power supply
- Industrial-grade heavy-duty steel construction with a built-in lock to prevent unauthorized console access.
- Built-in thumb screws for securing the unit when folded and pushed all the way in.
- Optional Keyboard Selection (touch-pad mouse, or trackball)
- Optional USB Keyboard Mouse KVM
- Optional AV Input Selection
- Optional Power Input Selection (12, 24, 48-Volt DC)
- Optional Touchscreen Available

## Mechanical Drawing:



Unit : mm

## Specifications:

LCD	
Panel	Samsung 17" LCD Panel
Screen Type	TFT
Display Area	337.92(H) x 270.34(V) mm
Contrast Ratio	500 : 1
Viewing Angle	140 ° (H) x 120 ° (V) (Typ.)
Resolution	1280 x 1024
Pixel pitch	0.264(H) x 0.264(W) mm
Response Time	Tr=5ms, Tf=20ms (Typ.)
Brightness	300 cd/m2
Panel Color	16.2M
Back Light	4 CCFTs (Cold Cathode Fluorescent tube)
Video	
Horizontal Synchronization	64 - 80 KHz (Typ.)
Vertical Synchronization	60 - 75 Hz (Typ.)
Input Signal	Analog RGB 0.7Vp-p
Power Management	
VESA DPMS	
Control	
OSD Control	Brightness, Contrast, Colour, Clock, H.Position, V.Position, Phase, Scaling, Auto config, Input select, Multi window, Clear EEPROM, OSD adjust, Save
External Connection	
Power Input	12V/5A DC adapter
Video Input	15-pin D-Sub connector
Dimension	
Product dimension	44.2(W) x 4.45(H) x 65(D)cm
Packing dimension	74(L) x 57(W) x 18(H)cm