

NVP Series

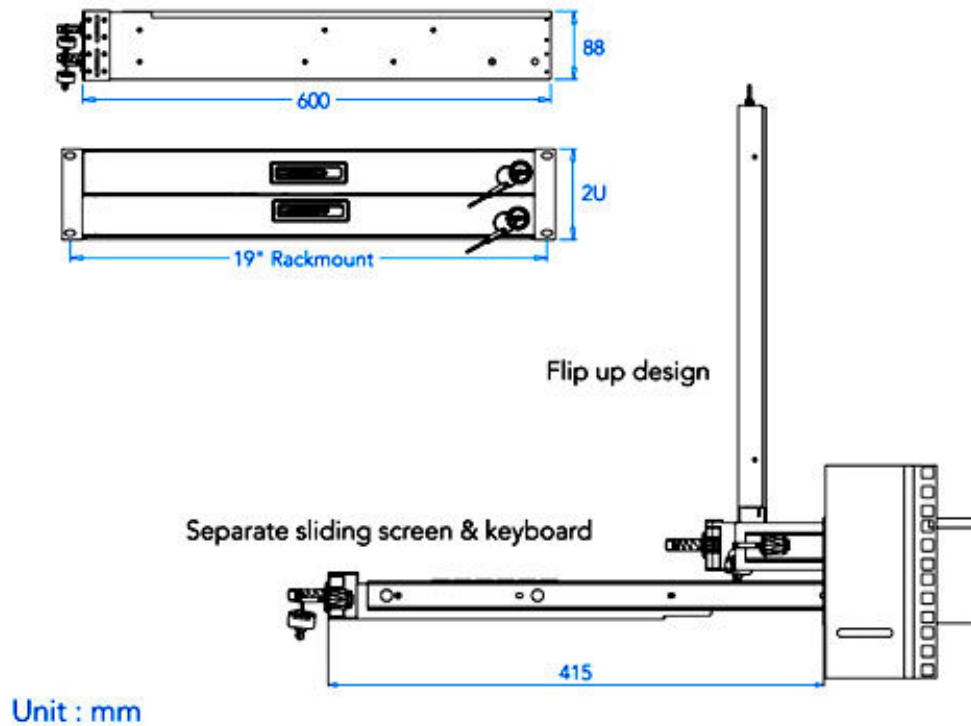
Model: NVP219 / NVP219-801 / NVP219-1601
2U Rackmount SamSung 19" TFT LCD monitor
keyboard drawer / KVM switch



Features and Benefits:

- Using only 2U of EIA rack space (3.5" high), the iRKP2 Series rack-mount integrated is designed for space-saving 19" rack-mount applications.
- Feature a 2U Dual Slides allow monitor system and see through cabinet closed glass door
- Feature a with SamSung LCD Panel. Available in 15"/17"/19" LCD optional with 8 or 16 ports PS/2 KVM
- Feature a fully functional 95-keys Windows keyboard integrated with 3-buttons trackball
- Equipped with industrial-grade heavy-duty slide-out rails with depth-adjustable rear mounting support
- PS/2 KVM drawers can be mounted in any standard 19" server rack available in the market.
- Built-in lock to prevent unauthorized console access.
- Adjustable bracket up to from 26" to 34"
- Optional Keyboard Selection
- Optional USB Keyboard Mouse KVM
- Optional Video Input Selection
- Optional Power Input Selection

Mechanical Drawing:



Specifications:

LCD	
Panel	Samsung 19" LCD Panel
Screen Type	TFT
Display Area	386.4(H) x 289.8(V) mm
Contrast Ratio	700 : 1
Viewing Angle	170 ° (H) x 170 ° (V) (Typ.)
Resolution	1280 x 1024
Pixel pitch	0.242(H) x 0.242(W) mm
Response Time	Tr=15ms, Tf=10ms (Typ.)
Brightness	250 cd/m2
Panel Color	16.7M
Back Light	4 CCFTs (Cold Cathode Fluorescent tube)
Video	
Horizontal Synchronization	64 KHz (Max.)
Vertical Synchronization	60 Hz (Max.)
Input Signal	Analog RGB 0.7Vp-p
Power Management	
VESA DPMS	
Control	
OSD Control	Brightness, Contrast, Colour, Clock, H.Position, V.Position, Phase, Scaling, Auto config, Input select, Multi window, Clear EEPROM, OSD adjust, Save
External Connection	
Power Input	12V/5A DC adapter
Video Input	15-pin D-Sub connector
Dimension	
Product dimension	44.2(W) x 8.8(H) x 60(D)cm
Packing dimension	73.5(L) x 57.5(W) x 18(H)cm
KVM	
NVP219	Non
NVP219-801	8port
NVP219-1601	16port