

NVP Series



Model: NVP2419 / NVP2419-801 / NVP2419-1601

2U Rack mount SamSung 19" TFT LCD monitor
keyboard drawer / KVM switch

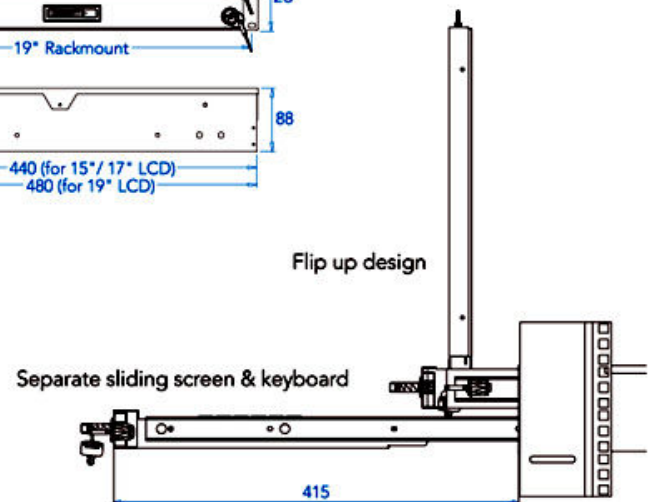
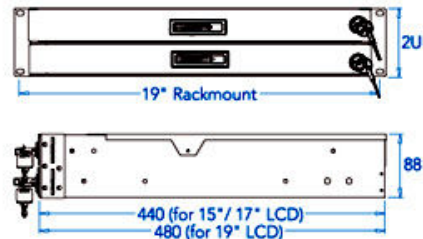
Features and Benefits:

- Combo Free PS/2 or USB KVM (New Features)
- Only 2U (3.5" high) of vertical 19" rack-mount space.
- Only 17" deep for 15" or 17" LCD and only 19" deep for 19" LCD
- 2U Dual Slides allows see LCD through closed cabinet door
- High-brightness 450-nit,TFT LCD Panel and high contrast-ration active TFT LCD flat panel integrated folding display.
- 17" display supporting 1280 x 1024 resolution.
- Full 95-keys Windows keyboard (including a dedicated numeric keypad), and an integrated 19mm 3-buttons trackball. Optional for other keyboard type see Recommend Accessories for more details.
- Industrial-grade heavy-duty steel construction with a built-in lock to prevent unauthorized console access.

KVM Features and Benefits: (with KVM options only)

- Multi-platform-mix PCs, SUNs, IBMs, HPs, Compaq & DELL
- Support 8 characters password protection & search PC server name
- Cascades for use with up to 128 servers
- New keep alive feature safeguards server for power loss to the switch
- Built-in microprocessor emulation for each port boots up process
- Auto scan-mode for monitoring your servers at intervals 5 to 99s
- Hot-pluggable when adding or removing PC w/o powering down the switch
- Name you server up to 16 characters long
- No software needed & all mounting hardware included

Mechanical Drawing:



Unit : mm

Specifications:

LCD	
Panel	Samsung 19" LCD Panel
Screen Type	TFT
Display Area	386.4(H) x 289.8(V) mm
Contrast Ratio	700 : 1
Viewing Angle	170 ° (H) x 170 ° (V) (Typ.)
Resolution	1280 x 1024
Pixel pitch	0.242(H) x 0.242(W) mm
Response Time	Tr=15ms, Tf=10ms (Typ.)
Brightness	250 cd/m2
Panel Color	16.7M
Back Light	4 CCFTs (Cold Cathode Fluorescent tube)
Video	
Horizontal Synchronization	64 KHz (Max.)
Vertical Synchronization	60 Hz (Max.)
Input Signal	Analog RGB 0.7Vp-p
Power Management	
VESA DPMS	
Control	
OSD Control	Brightness, Contrast, Colour, Clock, H.Position, V.Position, Phase, Scaling, Auto config, Input select, Multi window, Clear EEPROM, OSD adjust, Save
External Connection	
Power Input	12V/5A DC adapter
Video Input	15-pin D-Sub connector
Dimension	
Product dimension	48.2(W) x 8.8(H) x 48(D)cm
Packing dimension	59.5(L) x 57(W) x 22(H)cm
KVM	
NVP2419	No KVM
NVP2419-801	8ports
NVP2419-1601	16ports