

NVP Series

Model: NVP700e / NVP700-8e / NVP700-16e
1U Rackmount SamSung 17" LCD monitor keyboard
with REAL Mouse / KVM switch



Features and Benefits:

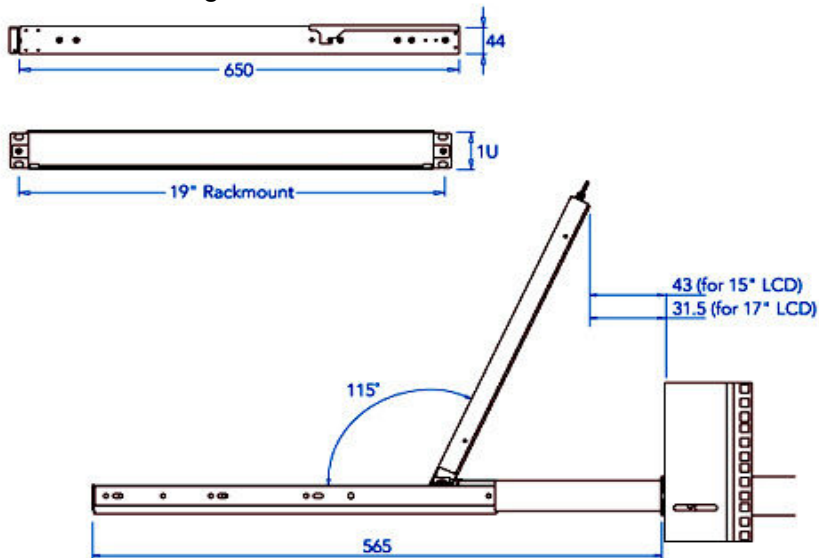
- 1U Dual Slides allows see LCD through closed cabinet door
- High-brightness 450-nit,TFT LCD Panel and high contrast-ration active TFT LCD flat panel integrated folding display.
- 17" display supporting 1024 x 768 resolution.
- Full 88-keys Windows keyboard (including a dedicated numeric keypad), and an integrated touch-pad pointing device.
- Industrial-grade heavy-duty steel construction with a built-in lock to prevent unauthorized console access.
- Built-in thumb screws for securing the unit when folded and pushed all the way in.
- Adjustable bracket up to from 26" to 34"

KVM Features and Benefits: (with KVM options only)

- Multi-platform-mix PCs, SUNs, IBMs, HPs, Compaq & DELL
- Support 8 characters password protection & search PC server name
- Cascades for use with up to 128 servers
- New keep alive feature safeguards server for power loss to the switch
- Built-in microprocessor emulation for each port boots up process
- Auto scan-mode for monitoring your servers at intervals 5 to 99s
- Hot-pluggable when adding or removing PC w/o powering down the switch
- Name you server up to 16 characters long
- No software needed & all mounting hardware included



Mechanical Drawing:



Unit : mm

Specifications:

LCD	
Panel	Samsung 17" LCD Panel
Screen Type	TFT
Display Area	337.92(H) x 270.34(V) mm
Contrast Ratio	500 : 1
Viewing Angle	140 ° (H) x 120 ° (V) (Typ.)
Resolution	1280 x 1024
Pixel pitch	0.264(H) x 0.264(W) mm
Response Time	Tr=5ms, Tf=20ms (Typ.)
Brightness	300 cd/m ²
Panel Color	16.2M
Back Light	4 CCFTs (Cold Cathode Fluorescent tube)
Video	
Horizontal Synchronization	64 - 80 KHz (Typ.)
Vertical Synchronization	60 - 75 Hz (Typ.)
Input Signal	Analog RGB 0.7Vp-p
Power Management	
VESA DPMS	
Control	
OSD Control	Brightness, Contrast, Colour, Clock, H.Position, V.Position, Phase, Scaling, Auto config, Input select, Multi window, Clear EEPROM, OSD adjust, Save
External Connection	
Power Input	12V/5A DC adapter
Video Input	15-pin D-Sub connector
Dimension	
Product dimension	44.2(W) x 4.45(H) x 65(D)cm
Packing dimension	60(L) x 84(W) x 18(H)cm
KVM	
NVP700e	Non
NVP700-8e	8port
NVP700-16e	16port