

NX Series

Model: NX-SD119e / NX-SD119b

1U Short Depth Rackmount 19" LCD Monitor Keyboard Combo (PS/2 and USB) KVM Switch Drawer



NETVIEW
KVM SWITCH SOLUTIONS

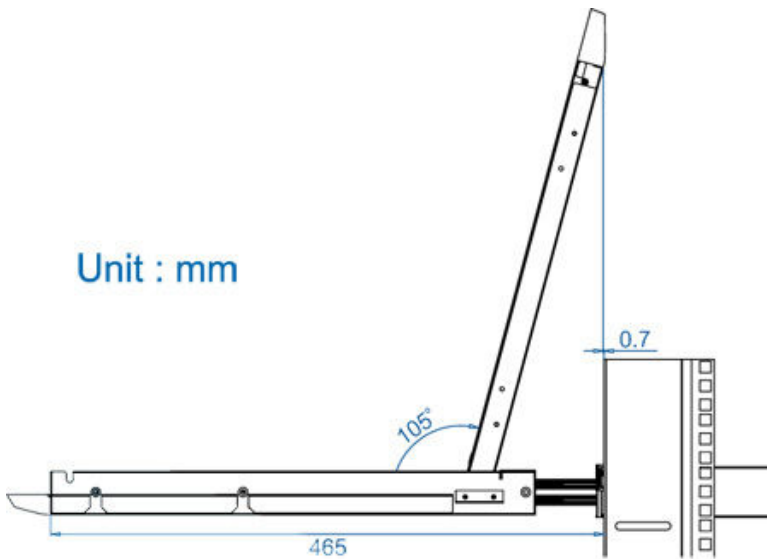
LCD Drawer & KVM Benefits:

- Short depth design of 480mm (18.9") only
- Depth will suit a 600mm rack application
- Single or "One Man" installation slides for easy, quick installation
- 104 key notepad keyboard with full numerical pad

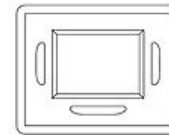
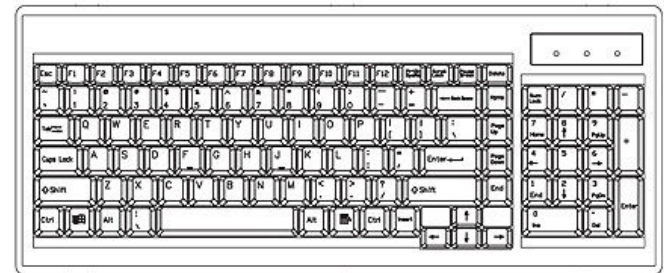
LCD Features:

- 1U rackmount drawer with either 17" or 19" SAMSUNG LCD
- Either PS/2 or USB input to the LCD Drawer by cable selection
- Multiple keyboard language selections with either touchpad or trackball
- slide rails with fixed positions to prevent drawer movement when typing
- Multi lingual on screen display menu
- 12, 24 and 48 volt DC power options

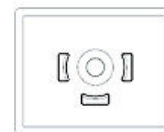
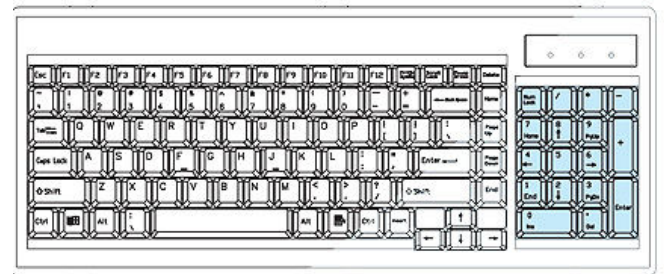
Mechanical Drawing:



e keyboard integrated with touchpad



b keyboard integrated with trackball



Specifications:

LCD	
Panel	Samsung 19" LCD Panel
Screen Type	TFT
Display Area	386.4(H) x 289.8(V) mm
Contrast Ratio	700 : 1
Viewing Angle	170 ° (H) x 170 ° (V) (Typ.)
Resolution	1280 x 1024
Pixel pitch	0.242(H) x 0.242(W) mm
Response Time	Tr=15ms, Tf=10ms (Typ.)
Brightness	250 cd/m2
Panel Color	16.7M
Back Light	4 CCFTs (Cold Cathode Fluorescent tube)
Video	
Horizontal Synchronization	64 KHz (Max.)
Vertical Synchronization	60 (Max.)
Input Signal	Analog RGB 0.7Vp-p
Power Management	
VESA DPMS	
Control	
OSD Control	Brightness, Contrast, Colour, Clock, H.Position, V.Position, Phase, Scaling, Auto config, Input select, Multi window, Clear EEPROM, OSD adjust, Save
External Connection	
Power Input	12V/5A DC adapter
Video Input	15-pin D-Sub connector
Dimension	
Product dimension	43.9(W) x 4.45(H) x 65(D)cm
Packing dimension	73.5(L) x 57.5(W) x 18(H)cm