

NX Series

Model: NX11716e / NX11716b
1U Rackmount 17" LCD Monitor Keyboard 16-port
PS/2 KVM Switch Console Drawer



NETVIEW
KVM SWITCH SOLUTIONS

LCD Drawer & KVM Benefits:

- Cost efficient DB-15KVM integration with either 16 or 8 ports in 1U
- Single or "One Man" installation slide for easy, quick installation
- 104 key notepad keyboard with full numerical pad
- Mix PS/2, USB & SUN Multi-Platform switch capability
- Secure remote User access across the world wide web

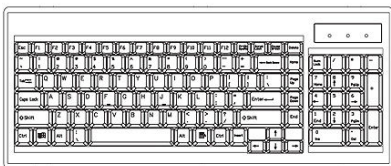
LCD Features:

- 1U rackmount drawer with either 17" or 19" SAMSUNG LCD
- Either PS/2 or USB input to the LCD Drawer by cable selection
- Multiple keyboard language selections with either touchpad or trackball
- slide rails with fixed positions to prevent drawer movement when typing
- Multi lingual on screen display menu
- 12, 24 and 48 volt DC power options

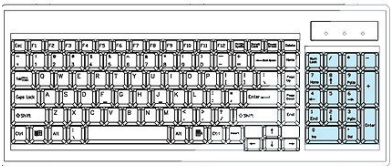
KVM Features and Benefits:

- Multi-platform-mix PCs, SUNs, IBMs, HPs, Compaq & DELL
- Support 8 characters password protection & search PC server name
- Cascades for use with up to 128 servers
- New keep alive feature safeguards server for power loss to the switch
- Built-in microprocessor emulation for each port boots up process
- Auto scan-mode for monitoring your servers at intervals 5 to 99s
- Hot-pluggable when adding or removing PC w/o powering down the switch
- Name you server up to 16 characters long
- No software needed & all mounting hardware included

e keyboard integrated with touchpad



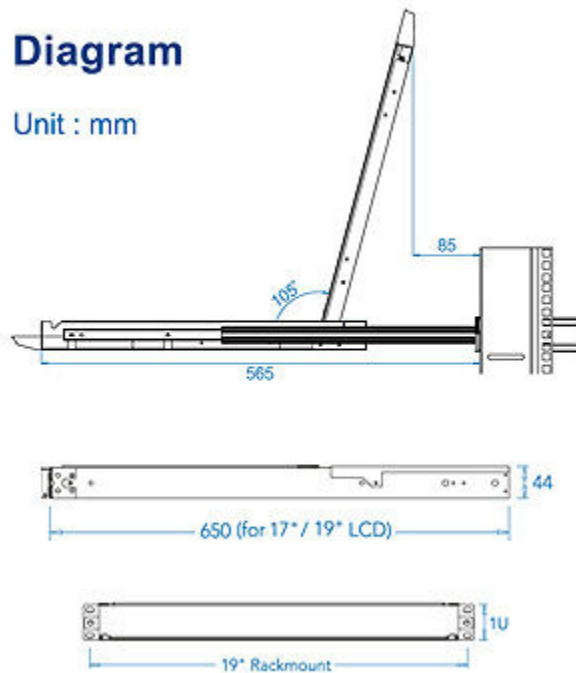
b keyboard integrated with trackball



Mechanical Drawing:

Diagram

Unit : mm



Specifications:

LCD	
Panel	Samsung 17" LCD Panel
Screen Type	TFT
Display Area	337.92(H) x 270.34(V) mm
Contrast Ratio	500 : 1
Viewing Angle	140 ° (H) x 120 ° (V) (Typ.)
Resolution	1280 x 1024
Pixel pitch	0.264(H) x 0.264(W) mm
Response Time	T _r =5ms, T _f =20ms (Typ.)
Brightness	300 cd/m ²
Panel Color	16.2M
Back Light	4 CCFTs (Cold Cathode Fluorescent tube)
Video	
Horizontal Synchronization	64 - 80 KHz (Typ.)
Vertical Synchronization	60 - 75 Hz (Typ.)
Input Signal	Analog RGB 0.7Vp-p
Power Management	
VESA DPMS	
Control	
OSD Control	Brightness, Contrast, Colour, Clock, H.Position, V.Position, Phase, Scaling, Auto config, Input select, Multi window, Clear EEPROM, OSD adjust, Save
External Connection	
Power Input	12V/5A DC adapter
Video Input	15-pin D-Sub connector

KVM Technical Specifications:

Channel Port	8, 16
PC Port Connector (All Female Type)	PS/2 Keyboard Mini Din 6 pin, PS/2 Mouse Mini Din 6 pin VGA HDDB 15pin
Cascade Port Connector (All Female Type)	PS/2 Keyboard Mini Din 6 pin, PS/2 Mouse Mini Din 6 pin VGA HDDB 15pin
Channel Port Connector (All Female Type)	HDDB 15 pin
Channel Port Connection (Male to Male)	HDDB 15 pin 3-in-1 Cable
PC selection	On Screen Display Manual, Hot Key, Push Button
LED	1 Bank LED, 4 / 8 / 16 Online Port LED (Green), 4 / 8 / 16 Selected Port LED (Red)
On Screen Display Control	Yes
Scan Intervals	5~99 Sec.
Keyboard Emulation	PS/2
Mouse Emulation	PS/2
VGA Resolution	1920X1440
Bandwidth	200MHz
Cascade MAX Level	8 levels
MAX. PC Connection	116(4ports) / 120(8ports) / 128(16ports)
Housing	Metal
Power Adapter	DC 12V 1A
Operation Temperature	0~40 °C
Storage Temperature	-20 ~ 60 °C
Humidity	0~80%, Non-Condensing