

NX Series

Model: NX117IP8e / NX117IP8b

1U Rack Mount 17" LCD Keyboard Drawer 8-port PS/2 KVM Switch, 2 consoles (Local + KVM over IP)



NETVIEW
KVM SWITCH SOLUTIONS

LCD Drawer & KVM Benefits:

- Cost efficient DB-15KVM integration with either 16 or 8 ports in 1U
- Single or "One Man" installation slide for easy, quick installation
- 104 key notepad keyboard with full numerical pad
- Mix PS/2, USB & SUN Multi-Platform switch capability
- Secure remote User access across the world wide web

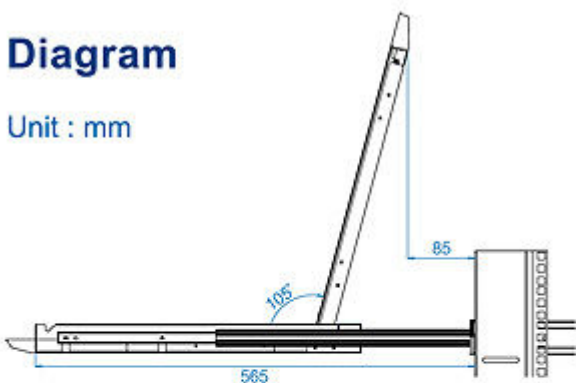
LCD Features:

- 1U rackmount drawer with either 17" or 19" SAMSUNG LCD
- Either PS/2 or USB input to the LCD Drawer by cable selection
- Multiple keyboard language selections with either touchpad or trackball
- slide rails with fixed positions to prevent drawer movement when typing
- Multi lingual on screen display menu
- 12, 24 and 48 volt DC power options

Mechanical Drawing:

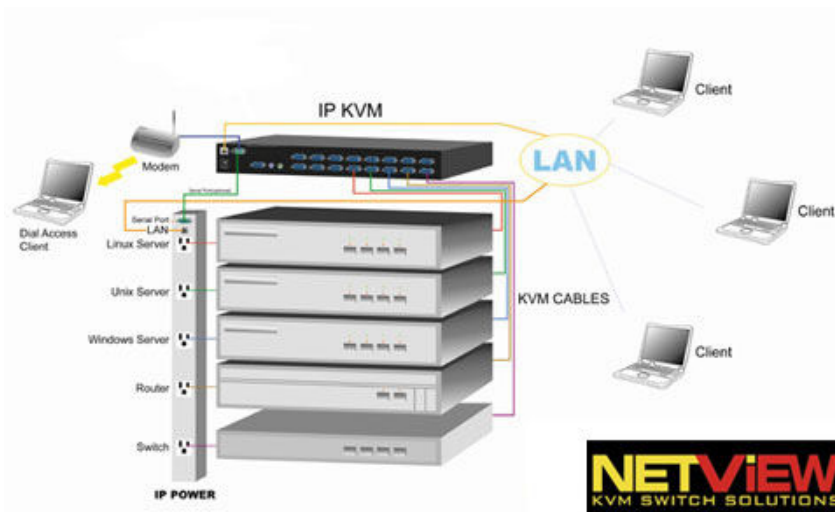
Diagram

Unit : mm



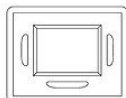
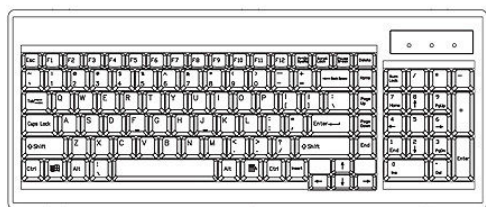
KVM Features and Benefits:

- 8/16 port KVM over IP switch is 19" rack mount size design.
- Support DOS, Win3.X, Win95/98/98SE/2000/ME/SP, WinNT, Netware, Unix, Linux
- Support iMAC, Power MAC and Sun Microsystems with USB port (Need work with USB-PS/2 adapter)
- Hot Plug- Add PCs or Remove Connected PCs for Maintenance without Powering Down the KVM switch or PCs.
- High Video Quality- Resolution UP To 1920X1440 (local side), 1280X1024 (remote side)
- No Software Required-easy PC selection via On Screen Display Menu (OSD), Push Buttons, Hot Keys
- AT local console side-Support eight characters password protection and search PC server name
- At Remove console side-Use SSL protocol for any encrypted network traffic between itself and a connected client.
- Keyboard status restored when switching PCs
- LED Display for easy status monitoring
- Buzzer sound for switching port confirmation.
- Built-in one extra daisy chain port and no waste and PC port
- No DIP switch setting needed and auto detect daisy chain bank
- Manage serves around the world
- KVM (keyboard, video, mouse) access over IP and analogous telephone line.
- BIOS level access
- No impact on server or network performance
- Automatically senses video resolution for best possible screen capture
- High-performance mouse tracking and synchronization.

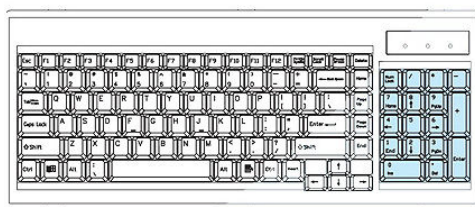


NETVIEW
KVM SWITCH SOLUTIONS

e keyboard integrated with touchpad



b keyboard integrated with trackball



Specifications:

| | |
|----------------------------|--|
| LCD | |
| Panel | Samsung 17" LCD Panel |
| Screen Type | TFT |
| Display Area | 337.92(H) x 270.34(V) mm |
| Contrast Ratio | 500 : 1 |
| Viewing Angle | 140 ° (H) x 120 ° (V) (Typ.) |
| Resolution | 1280 x 1024 |
| Pixel pitch | 0.264(H) x 0.264(W) mm |
| Response Time | Tr=5ms, Tf=20ms (Typ.) |
| Brightness | 300 cd/m2 |
| Panel Color | 16.2M |
| Back Light | 4 CCFTs (Cold Cathode Fluorescent tube) |
| Video | |
| Horizontal Synchronization | 64 - 80 KHz (Typ.) |
| Vertical Synchronization | 60 - 75 Hz (Typ.) |
| Input Signal | Analog RGB 0.7Vp-p |
| Power Management | |
| VESA DPMS | |
| Control | |
| OSD Control | Brightness, Contrast, Colour, Clock, H.Position, V.Position, Phase, Scaling, Auto config, Input select, Multi window, Clear EEPROM, OSD adjust, Save |
| External Connection | |
| Power Input | 12V/5A DC adapter |
| Video Input | 15-pin D-Sub connector |

KVM Technical Specifications:

| | | |
|---|--|---|
| Channel Port | 8, 16 | |
| Console Port | 1 | |
| PC Port Connector (All Female Type) | VGA HDDB 15-pin (shared with PS/2 keyboard and Mouse) | |
| Console Port Connector (All Female Types) | Local Console: | PS/2 Keyboard Mini Din 6 pin PS/2 Mouse Mini Din 6 pin VGA HDDB 15pin |
| | Remote Console: | RJ-45 8P8C |
| Daisy Chain Port Connector (All Female Types) | HDDB 15 pin | |
| Channel Port Connection (Male to Male) | PS/2 Keyboard Mini Din 6 pin PS/2 Mouse Mini Din 6 pin VGA HDDB 15pin | |
| Serial Port (DB9 pin Male) | 1 | |
| LAN port (RJ-45 8P8C) | 1 10BASE-T Ethernet uses Category 3/4/5/5E/6 UTP 100BASE-T Ethernet uses Category 5/5E/6 UTP | |
| Reset button | 1 | |
| PC selection | On Screen Display Menu, Hot Key, Push Button | |
| PC Port LED | 16 | |
| Bank 7 segment LED | 1 | |
| On Screen Display Control | Yes | |
| Scan Intervals | 5~99 sec. | |
| Keyboard Emulation | PS/2 | |
| Mouse Emulation | PS/2 | |
| VGA Resolution | Local Console: 1920 x 1440 Remote Console: 1280 x 1024 | |
| Daisy Chain MAX Level | 8 levels | |
| MAX PC Connection | 128 | |
| Housing | Metal | |
| Power Adapter | DC 5V, 2.5A | |
| Operation Temperature | 0~50°C | |
| Storage Temperature | -20~60°C | |
| Humidity | 0~80°C, Non-Condensing | |