

# NX Series

Model: NX119CE16e / NX119CE16b

1U Rack Mount 19" LCD Keyboard Drawer 16-ports PS/2 KVM Switch, 2 consoles (Local + Remote Via CAT 5 Extenders)



**NETVIEW**  
KVM SWITCH SOLUTIONS

## LCD Drawer & KVM Benefits:

- Cost efficient DB-15KVM integration with either 16 or 8 ports in 1U
- Single or "One Man" installation slide for easy, quick installation
- 104 key notepad keyboard with full numerical pad
- Mix PS/2, USB & SUN Multi-Platform switch capability
- Secure remote User access across the world wide web

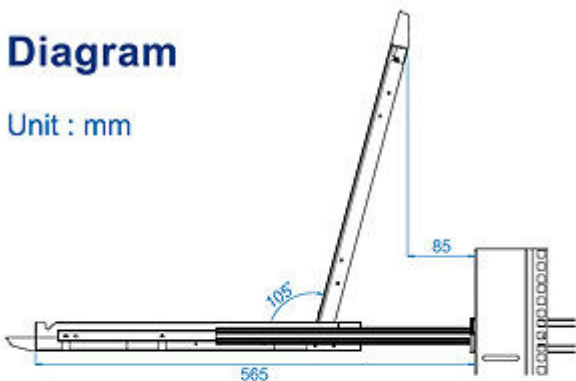
## LCD Features:

- 1U rackmount drawer with either 17" or 19" SAMSUNG LCD
- Either PS/2 or USB input to the LCD Drawer by cable selection
- Multiple keyboard language selections with either touchpad or trackball
- slide rails with fixed positions to prevent drawer movement when typing
- Multi lingual on screen display menu
- 12, 24 and 48 volt DC power options

## Mechanical Drawing:

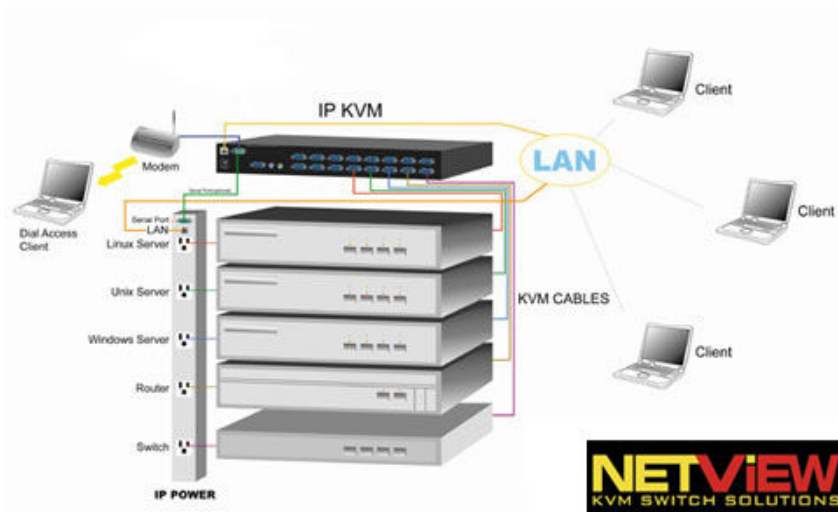
### Diagram

Unit : mm



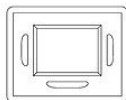
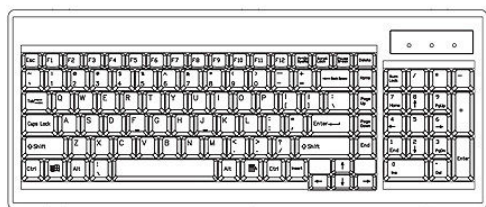
## KVM Features and Benefits:

- 8/16 port KVM over IP switch is 19" rack mount size design.
- Support DOS, Win3.X, Win95/98/98SE/2000/ME/SP, WinNT, Netware, Unix, Linux
- Support iMAC, Power MAC and Sun Microsystems with USB port (Need work with USB-PS/2 adapter)
- Hot Plug- Add PCs or Remove Connected PCs for Maintenance without Powering Down the KVM switch or PCs.
- High Video Quality- Resolution UP To 1920X1440 (local side), 1280X1024 (remote side)
- No Software Required-easy PC selection via On Screen Display Menu (OSD), Push Buttons, Hot Keys
- AT local console side-Support eight characters password protection and search PC server name
- At Remote console side-Use SSL protocol for any encrypted network traffic between itself and a connected client.
- Keyboard status restored when switching PCs
- LED Display for easy status monitoring
- Buzzer sound for switching port confirmation.
- Built-in one extra daisy chain port and no waste and PC port
- No DIP switch setting needed and auto detect daisy chain bank
- Manage serves around the world
- KVM (keyboard, video, mouse) access over IP and analogous telephone line.
- BIOS level access
- No impact on server or network performance
- Automatically senses video resolution for best possible screen capture
- High-performance mouse tracking and synchronization.

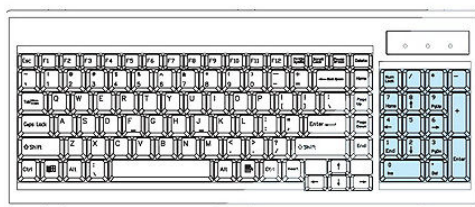


**NETVIEW**  
KVM SWITCH SOLUTIONS

**e** keyboard integrated with touchpad



**b** keyboard integrated with trackball



**Specifications:**

LCD	
Panel	Samsung 19" LCD Panel
Screen Type	TFT
Display Area	386.4(H) x 289.8(V) mm
Contrast Ratio	700 : 1
Viewing Angle	170 ° (H) x 170 ° (V) (Typ.)
Resolution	1280 x 1024
Pixel pitch	<b>0.242(H) x 0.242(W) mm</b>
Response Time	Tr=15ms, Tf=10ms (Typ.)
Brightness	250 cd/m2
Panel Color	16.7M
Back Light	4 CCFTs (Cold Cathode Fluorescent tube)
Video	
Horizontal Synchronization	64 KHz (Max.)
Vertical Synchronization	60 (Max.)
Input Signal	Analog RGB 0.7Vp-p
Power Management	
VESA DPMS	
Control	
OSD Control	Brightness, Contrast, Colour, Clock, H.Position, V.Position, Phase, Scaling, Auto config, Input select, Multi window, Clear EEPROM, OSD adjust, Save
External Connection	
Power Input	12V/5A DC adapter
Video Input	15-pin D-Sub connector

**KVM Technical Specifications:**

Channel Port	8, 16	
Console Port	1	
PC Port Connector (All Female Type)	VGA HDDB 15-pin (shared with PS/2 keyboard and Mouse)	
Console Port Connector (All Female Types)	Local Console:	PS/2 Keyboard Mini Din 6 pin PS/2 Mouse Mini Din 6 pin VGA HDDB 15pin
	Remote Console:	RJ-45 8P8C
Daisy Chain Port Connector (All Female Types)	HDDB 15 pin	
Channel Port Connection (Male to Male)	PS/2 Keyboard Mini Din 6 pin PS/2 Mouse Mini Din 6 pin VGA HDDB 15pin	
Serial Port (DB9 pin Male)	1	
LAN port (RJ-45 8P8C)	1 10BASE-T Ethernet uses Category 3/4/5/5E/6 UTP 100BASE-T Ethernet uses Category 5/5E/6 UTP	
Reset button	1	
PC selection	On Screen Display Menu, Hot Key, Push Button	
PC Port LED	16	
Bank 7 segment LED	1	
On Screen Display Control	Yes	
Scan Intervals	5~99 sec.	
Keyboard Emulation	PS/2	
Mouse Emulation	PS/2	
VGA Resolution	Local Console: 1920 x 1440 Remote Console: 1280 x 1024	
Daisy Chain MAX Level	8 levels	
MAX PC Connection	128	
Housing	Metal	
Power Adapter	DC 5V, 2.5A	
Operation Temperature	0~50°C	
Storage Temperature	-20~60°C	
Humidity	0~80°C, Non-Condensing	