

# NX Series

Model: NX119CE8e / NX119CE8b

1U Rack Mount 19" LCD Keyboard Drawer 8-port PS/2 KVM Switch, 2 consoles (Local + Remote Via CAT 5 Extenders)



**NETVIEW**  
KVM SWITCH SOLUTIONS

## LCD Drawer & KVM Benefits:

- Cost efficient DB-15KVM integration with either 16 or 8 ports in 1U
- Single or "One Man" installation slide for easy, quick installation
- 104 key notepad keyboard with full numerical pad
- Mix PS/2, USB & SUN Multi-Platform switch capability
- Secure remote User access across the world wide web

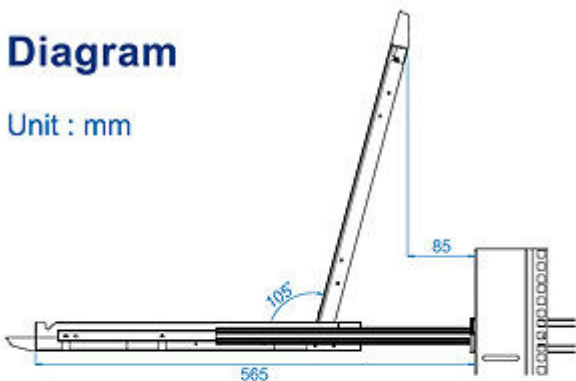
## LCD Features:

- 1U rackmount drawer with either 17" or 19" SAMSUNG LCD
- Either PS/2 or USB input to the LCD Drawer by cable selection
- Multiple keyboard language selections with either touchpad or trackball
- slide rails with fixed positions to prevent drawer movement when typing
- Multi lingual on screen display menu
- 12, 24 and 48 volt DC power options

## Mechanical Drawing:

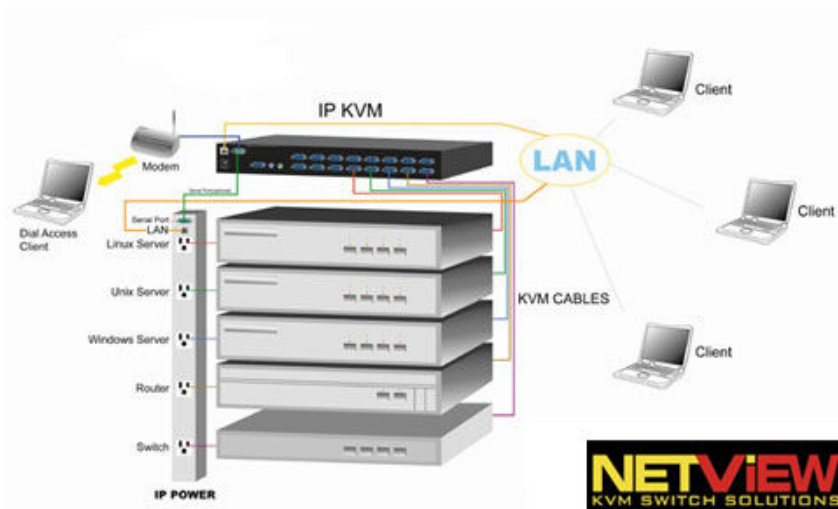
### Diagram

Unit : mm



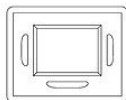
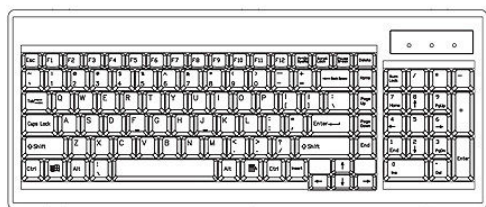
## KVM Features and Benefits:

- 8/16 port KVM over IP switch is 19" rack mount size design.
- Support DOS, Win3.X, Win95/98/98SE/2000/ME/SP, WinNT, Netware, Unix, Linux
- Support iMAC, Power MAC and Sun Microsystems with USB port (Need work with USB-PS/2 adapter)
- Hot Plug- Add PCs or Remove Connected PCs for Maintenance without Powering Down the KVM switch or PCs.
- High Video Quality- Resolution UP To 1920X1440 (local side), 1280X1024 (remote side)
- No Software Required-easy PC selection via On Screen Display Menu (OSD), Push Buttons, Hot Keys
- AT local console side-Support eight characters password protection and search PC server name
- At Remote console side-Use SSL protocol for any encrypted network traffic between itself and a connected client.
- Keyboard status restored when switching PCs
- LED Display for easy status monitoring
- Buzzer sound for switching port confirmation.
- Built-in one extra daisy chain port and no waste and PC port
- No DIP switch setting needed and auto detect daisy chain bank
- Manage serves around the world
- KVM (keyboard, video, mouse) access over IP and analogous telephone line.
- BIOS level access
- No impact on server or network performance
- Automatically senses video resolution for best possible screen capture
- High-performance mouse tracking and synchronization.

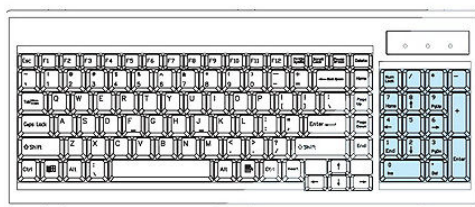


**NETVIEW**  
KVM SWITCH SOLUTIONS

**e** keyboard integrated with touchpad



**b** keyboard integrated with trackball



**Specifications:**

|                            |  |
|----------------------------|--|
| LCD                        |  |
| Panel                      | Samsung 19" LCD Panel  |
| Screen Type                | TFT  |
| Display Area               | 386.4(H) x 289.8(V) mm   |
| Contrast Ratio             | 700 : 1  |
| Viewing Angle              | 170 ° (H) x 170 ° (V) (Typ.)   |
| Resolution                 | 1280 x 1024  |
| Pixel pitch                | <b>0.242(H) x 0.242(W) mm</b>  |
| Response Time              | Tr=15ms, Tf=10ms (Typ.)  |
| Brightness                 | 250 cd/m2  |
| Panel Color                | 16.7M  |
| Back Light                 | 4 CCFTs (Cold Cathode Fluorescent tube)  |
| Video                      |  |
| Horizontal Synchronization | 64 KHz (Max.)  |
| Vertical Synchronization   | 60 (Max.)  |
| Input Signal               | Analog RGB 0.7Vp-p   |
| Power Management           |  |
| VESA DPMS                  |  |
| Control                    |  |
| OSD Control                | Brightness, Contrast, Colour, Clock, H.Position, V.Position, Phase, Scaling, Auto config, Input select, Multi window, Clear EEPROM, OSD adjust, Save |
| External Connection        |  |
| Power Input                | 12V/5A DC adapter  |
| Video Input                | 15-pin D-Sub connector   |

**KVM Technical Specifications:**

|   |  |   |
|---|--|---|
| Channel Port                                  | 8, 16  |   |
| Console Port                                  | 1  |   |
| PC Port Connector (All Female Type)           | VGA HDDB 15-pin (shared with PS/2 keyboard and Mouse)  |   |
| Console Port Connector (All Female Types)     | Local Console:   | PS/2 Keyboard Mini Din 6 pin<br>PS/2 Mouse Mini Din 6 pin<br>VGA HDDB 15pin |
|   | Remote Console:  | RJ-45 8P8C  |
| Daisy Chain Port Connector (All Female Types) | HDDB 15 pin  |   |
| Channel Port Connection (Male to Male)        | PS/2 Keyboard Mini Din 6 pin<br>PS/2 Mouse Mini Din 6 pin<br>VGA HDDB 15pin                        |   |
| Serial Port (DB9 pin Male)                    | 1  |   |
| LAN port (RJ-45 8P8C)                         | 1<br>10BASE-T Ethernet uses Category 3/4/5/5E/6 UTP<br>100BASE-T Ethernet uses Category 5/5E/6 UTP |   |
| Reset button                                  | 1  |   |
| PC selection                                  | On Screen Display Menu, Hot Key, Push Button   |   |
| PC Port LED                                   | 16   |   |
| Bank 7 segment LED                            | 1  |   |
| On Screen Display Control                     | Yes  |   |
| Scan Intervals                                | 5~99 sec.  |   |
| Keyboard Emulation                            | PS/2   |   |
| Mouse Emulation                               | PS/2   |   |
| VGA Resolution                                | Local Console: 1920 x 1440<br>Remote Console: 1280 x 1024  |   |
| Daisy Chain MAX Level                         | 8 levels   |   |
| MAX PC Connection                             | 128  |   |
| Housing                                       | Metal  |   |
| Power Adapter                                 | DC 5V, 2.5A  |   |
| Operation Temperature                         | 0~50°C   |   |
| Storage Temperature                           | -20~60°C   |   |
| Humidity                                      | 0~80°C, Non-Condensing   |   |