

DR Series

1U Rack Mount Dual Slide LCD KVM Keyboard



1U Dual Slide 17" Widescreen LCD console drawer, full HD 1080p resolution, with 104 key notepad keyboard w/ Touchpad (e), 26 inch Deep

Model: DR117HD



FEATURES:

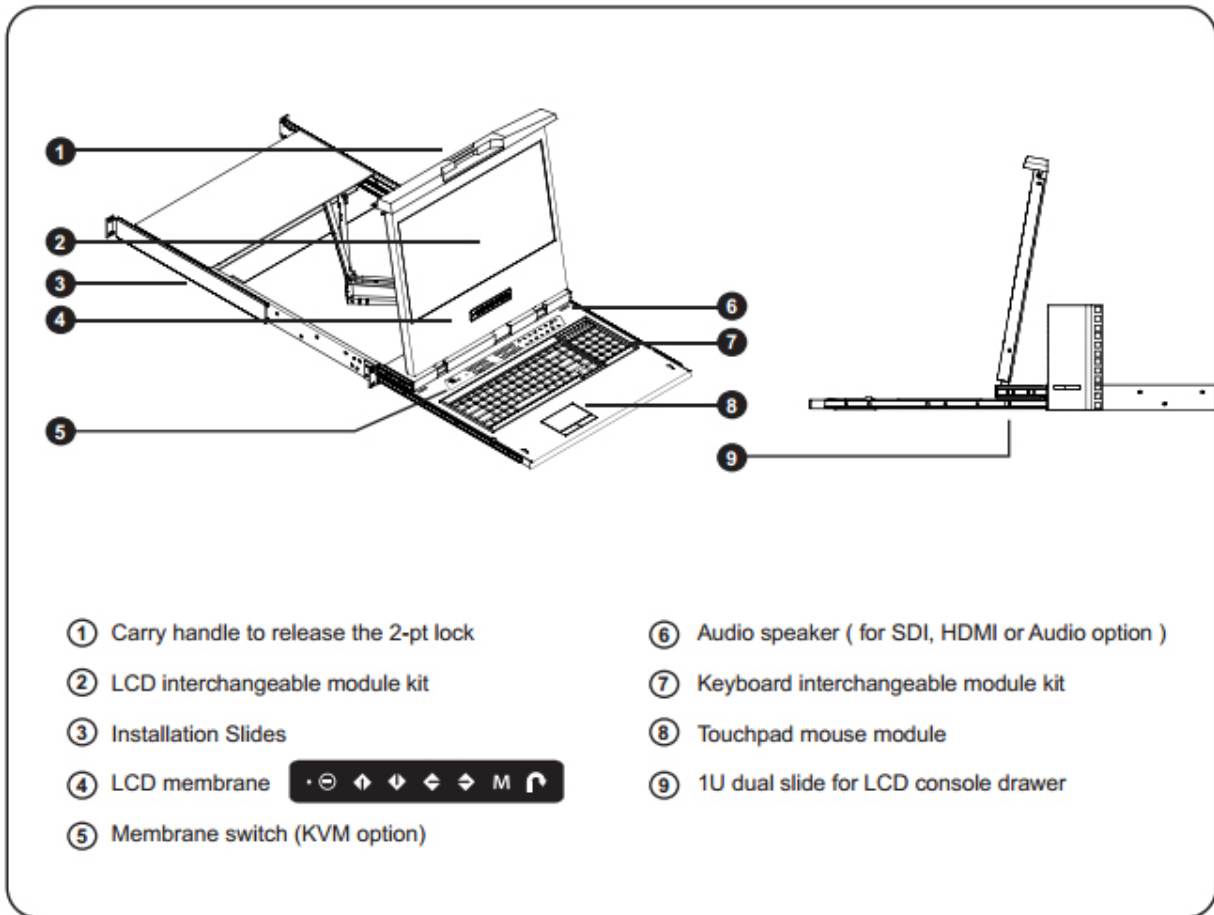
- 1U dual slide 17" LCD console drawer
- Support Full HD with 1080p resolution
- 104-key notepad keyboard with touchpad
- Short depth design of 650mm(26 inch) Deep
- Enhanced aesthetics with new molded front panel and two point lock

SPECIFICATIONS:

LCD Panel	
Diagonal size	17" TFT
Max. Resolution	1920 x 1080
Brightness (cd/m2)	400
Backlight	LED
Colors	16.7 M, 8-bit
Contrast Ratio (typ)	600 : 1
Viewing Angle (H/V)	160° x 140°
Active area (mm)	382 x 215
MTBF (hrs)	50,000
Signal input	VGA or DVI-D
Casing Color	Black (RAL 9005)
Weight (Single console)	
Net	11.9 kgs (26.2 lbs)
Gross	17.9 kgs (39.4 lbs)
Environmental	
Operating	0 to 50°C Degree
Storage	-5 to 60°C Degree
Relative humidity	5-90%, non-condensing
Shock	10G acceleration (11 ms duration)
Vibration	5-500Hz 1G RMS random vibration
Power	
Input	Auto-sensing 100 to 240VAC, 50 / 60Hz
Consumption	Max. 48 Watt, Standby 5 Watt
Product Dimensions (Single console)	
Product	441.6 x 650 x 44 mm / 17.4 x 25.6 x 1.73 inch
Packing	595 x 860 x 140 mm / 23.4 x 33.9 x 5.5 inch□

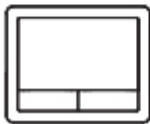
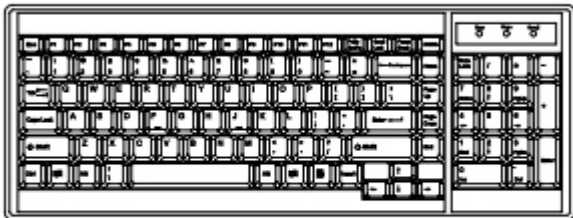


STRUCTURE DIAGRAM



STANDARD KEYBOARD

e keyboard integrated with touchpad



America		United States			
EMEA					
	United Kingdom	Germany	France	Spain	Norway
	Italy	Russia	Switzerland	Netherlands	Portugal
	Asia				
	China	Japan	Korea	Arabia	Turkey

KEYBOARD OPTIONS (US layout only)

Me Mac keyboard with touchpad



Mb Mac keyboard with trackball

Se S keyboard with touchpad

Sb S keyboard with trackball



KVM OPTIONS

■ Dimensions (with KVM)

Product: 441.6 x 650 x 44 mm / 17.4 x 25.6 x 1.73 inch

Packing: 595 x 860 x 140 mm / 23.4 x 33.9 x 5.5 inch

■ Power Consumption with KVM integration

Screen on: Max. 50W

Power saving mode: Max. 29W

■ Weight

Net: 12.9 kgs / 28.4 lbs

Gross : 18.9 kgs / 41.6 lbs

■ Casing Color

Black (RAL 9005)

For keyboard option add (e) touchpad or (b) trackball at the end of the model no.

Sample: DR117HD-M118e

Matrix DB-15 KVM	Local	Remote	IP	8-port	16-port	32-port
	1	1	1	DR117HD-M118	DR117HD-M1116	-
	1	1	2	DR117HD-M218	DR117HD-M2116	-
	1	1	0	DR117HD-M018	DR117HD-M0116	-
	1	2	0	DR117HD-M028	DR117HD-M0216	-
	1	3	0	DR117HD-M038	DR117HD-M0316	-

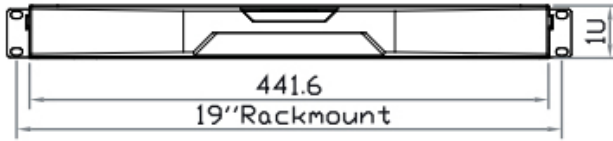
Combo DB-15 KVM	Local	Remote	IP	8-port	16-port	32-port
	1	0	1	DR117HD-IP8	DR117HD-IP16	-
	1	1	0	DR117HD-8	DR117HD-16	-
	1	0	0	DR117HD-S801	DR117HD-S1601	-

Combo DB-15 KVM Cable : NE-6 / 10 / 15 (6, 10 or 15 ft)

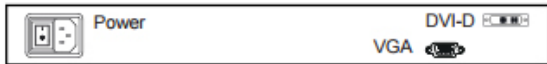
DVI-D KVM	Local	Remote	IP	12-port	-	-
	1	0	0	DR117HD-12D	-	-

DIMENSION

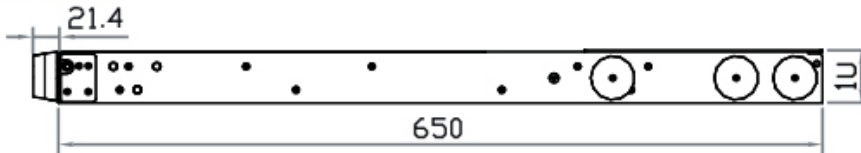
Front View



Rear View



Side View



UNIT : mm
1mm = 0.03937 inch

Top View

