

DR Series

1U Rack Mount Dual Slide LCD Keyboard KVM Drawer

1U 17"/19" Dual Slide LCD Keyboard / KVM Drawer + USB+ Audio KVM switch, Audio out x 1, Includes NC-6: 6pc 6ft long DVI +USB+ Audio KVM Cables, 650mm(26 inch)Deep with touchpad keyboard.

Model: DR117e/119e



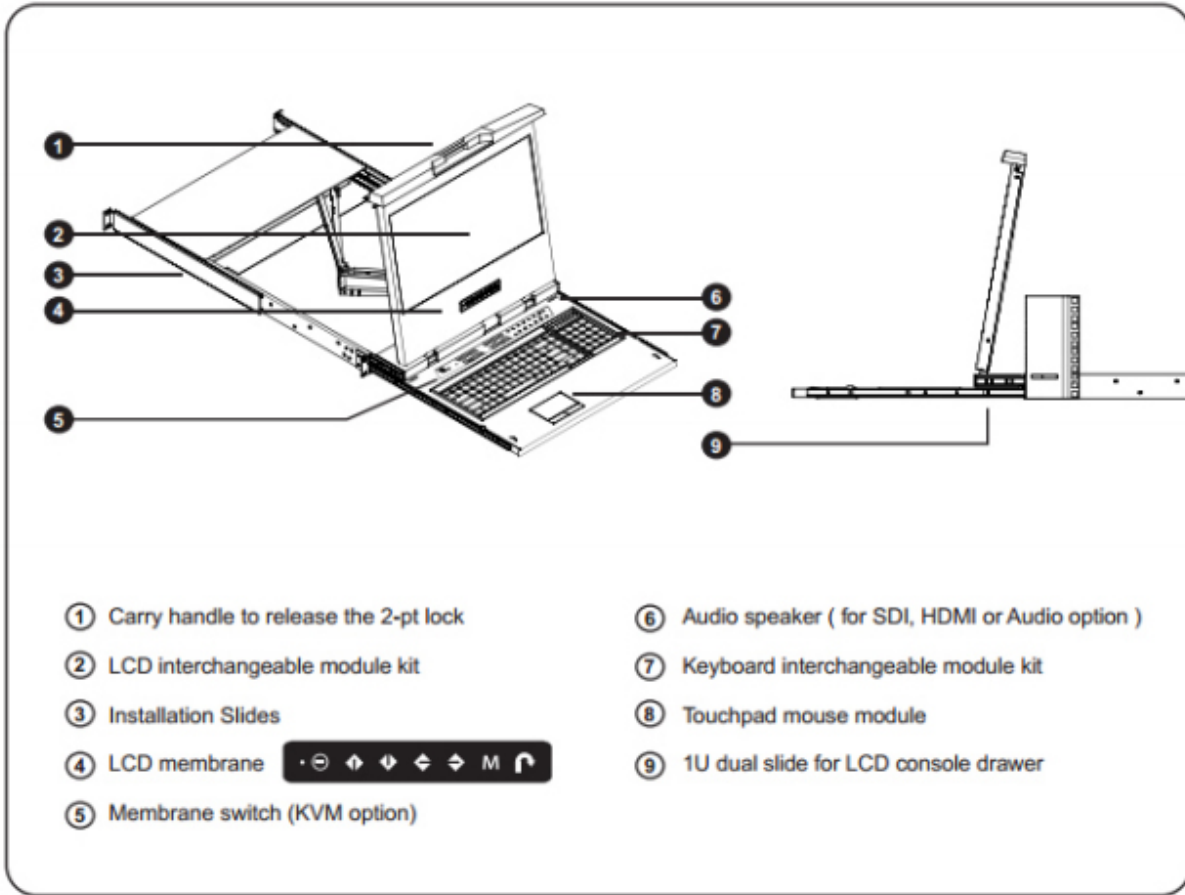
FEATURES:

- 1U dual slide 17" or 19" LCD console drawer
- 104-key keyboard with touchpad
- Enhanced aesthetics with new molded front panel and two point lock
- Combo interface either PS/2 or USB for single console drawer
- Short depth design of 650mm(26 inch)Deep

SPECIFICATIONS:

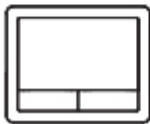
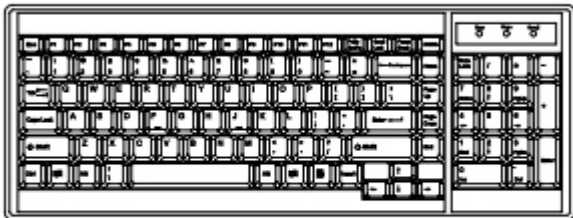
LCD Panel		
Manufacturer	AUO	AUO
Diagonal size	17" TFT	19" TFT
Max. Resolution	1280 x 1024	1280 x 1024
Brightness (cd/m2)	250	250
Backlight	CCFL	LED
Colors	16.7M	16.7M
Contrast Ratio (typ)	1000 : 1	1000 : 1
Viewing Angle (H/V)	160° x 160°	170° x 160°
Active area (mm)	338 x 270	376 x 301
MTBF (hrs)	50,000	30,000
Video Input	VGA	VGA
Speaker (HDMI Only)	Built-in Dual Stereo Speakers 2W x 2	
Power Input	Auto-sensing 100 to 240VAC, 50 / 60Hz	
Power Consumption (single console)		
Screen on	Max. 25W	
Power saving mode	Max. 4W	
Power button on	Max. 1W	
Environmental		
Operating temperature	0 to 55°C degree	
Storage temperature	-20 to 60°C degree	
Operating humidity	20~90%, non-condensing	
Storage humidity	5 ~90%, non-condensing	
Operating altitude	16,000 ft	
Non-operating altitude	40,000 ft	
Shock	10G acceleration (11ms duration)	
Vibration	5~500Hz 1G RMS random vibration	
Casing Color	Black (RAL 9005)	
Regulatory		
Safety	cUL, FCC & CE certified	
Environmental	RoHS2 & REACH compliant	
Weight (single console)	Net	Gross
DR117	12.6 kgs / 27.7 lbs	18.4 kgs / 40.5 lbs
DR119	13.2 kgs / 29 lbs	19 kgs / 41.8 lbs
Dimensions (single console)		
Product	441.6 x 650 x 44 mm / 17.4 x 25.6 x 1.73 inch	
Packing	595 x 860 x 140 mm / 23.4 x 33.9 x 5.5 inch	

STRUCTURE DIAGRAM



STANDARD KEYBOARD

e keyboard integrated with touchpad



America		United States			
EMEA					
	United Kingdom	Germany	France	Spain	Norway
	Italy	Russia	Switzerland	Netherlands	Portugal
	Asia				
	China	Japan	Korea	Arabia	Turkey

KEYBOARD OPTIONS (US layout only)

Me Mac keyboard with touchpad



Mb Mac keyboard with trackball

Se S keyboard with touchpad

Sb S keyboard with trackball



KVM OPTIONS

■ Dimensions (with KVM)

Product: 441.6 x 770 x 44 mm / 17.4 x 30.3 x 1.73 inch

Packing: 595 x 860 x 140 mm / 23.4 x 33.9 x 5.5 inch

■ Power Consumption with KVM integration

Screen on: Max. 62W

Power saving mode: Max. 34W

■ Weight

Net: 15.5 kgs / 34.1 lbs

Gross : 21.4 kgs / 47.1 lbs

■ Casing Color

Black (RAL 9005)

X stands for 17" or 19" LCD size.

For keyboard option add (e) touchpad or (b) trackball at the end of the model no.

Sample: DR11X-MC1116e

Matrix Cat6 KVM	Local	Remote	IP	8-port	16-port	32-port
	1	1	1	-	DR11X-MC1116e	DR11X-MC1132e
1	1	2	-	DR11X-MC2116e	DR11X-MC2132e	
1	1	0	-	DR11X-MC0116e	DR11X-MC0132e	
1	2	0	-	DR11X-MC0216e	DR11X-MC0232e	
1	3	0	-	DR11X-MC0316e	DR11X-MC0332e	

Combo Cat6 KVM	Local	Remote	IP	8-port	16-port	32-port
	1	0	1	DR11X-CIP8e	DR11X-CIP16e	DR11X-CIP32e
1	1	0	DR11X-CCE8e	DR11X-CCE16e	DR11X-CCE32e	
1	0	0	DR11X-C8e	DR11X-C16e	DR11X-C32e	

Cat6 KVM Dongle : DG-100S (VGA-USB) / DG-100 (VGA-PS/2) / DG-100SD (DVI-USB)

Matrix DB-15 KVM	Local	Remote	IP	8-port	16-port	32-port
	1	1	1	DR11X-M118e	DR11X-M1116e	-
1	1	2	DR11X-M218e	DR11X-M2116e	-	
1	1	0	DR11X-M018e	DR11X-M0116e	-	
1	2	0	DR11X-M028e	DR11X-M0216e	-	
1	3	0	DR11X-M038e	DR11X-M0316e	-	

Combo DB-15 KVM	Local	Remote	IP	8-port	16-port	32-port
	1	0	1	DR11X-IP8e	DR11X-IP16e	-
1	1	0	DR11X-8e	DR11X-16e	-	
1	0	0	DR11X-S801e	DR11X-S1601e	-	

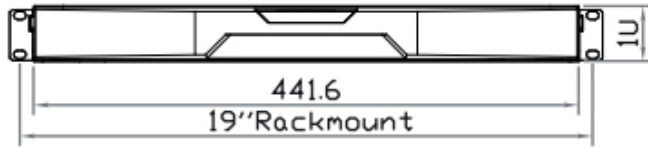
Combo DB-15 KVM Cable : NE-6 / 10 / 15 (6, 10 or 15 ft)

DVI-D KVM	Local	Remote	IP	12-port	-	-
	1	0	0	DR11X-12D	-	-

USB Hub DB-15 KVM	Local	Remote	IP	8-port	16-port	32-port
	1	0	1	DR11X-IPB8e	DR11X-IPB16e	-
1	1	0	DR11X-B82e	DR11X-B162e	-	
1	0	0	DR11X-B8e	DR11X-B16e	-	

DIMENSION

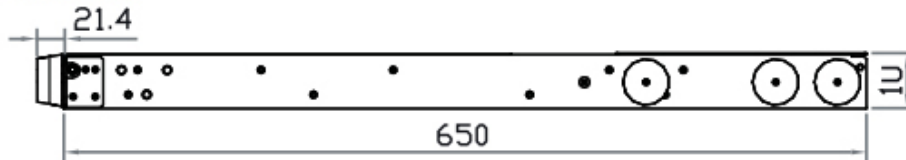
Front View



Rear View



Side View



UNIT : mm
1mm = 0.03937 inch

Top View

