

### Remote Console KVM Via CAT5 Features:

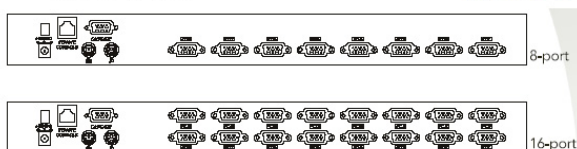
- Allows remote access of up to 500 feet away via CAT. 5, CAT.5e, CAT. 6 UTP cables
- Dual console operation - control your system from either the local or remote keyboards, mice, and monitors
- Additional dual version features. Fully automatic KVM sharing on first-come first serve basis
- Displays video to both local/remote side simultaneously
- Plug-n-Play - no software installation
- High video resolution - up to 1,600 x 1,200
- Compatible with Sun® Solaris™ (with optional SUN-31 kit), Microsoft®, Windows®, Linux®, Unix® and Netware®.



### KVM DETAIL SPECIFICATIONS:

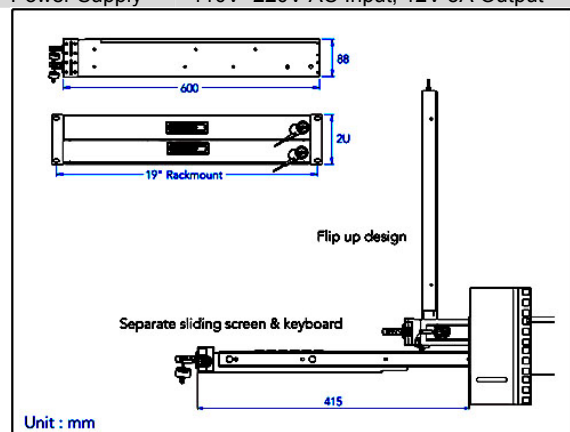
Channel Port	8 or 16
PC Port Connector (All Female Type)	USB Keyboard Mini Din 6 pin USB Mouse Mini Din 6 pin VGA HDDB 15pin
Cascade Port Connector (All Female Type)	USB Keyboard Mini Din 6 pin USB Mouse Mini Din 6 pin VGA HDDB 15pin
Channel Port Connector (All Female Type)	HDDB 15 pin
Channel Port Connection (Male to Male)	HDDB 15 pin 3-in-1 Cable
PC selection	On Screen Display Manual, Hot Key, Push Button
LED	1 Bank LED 8 / 16 Online Port LED (Green) 8 / 16 Selected Port LED (Red)
On Screen Display Control	Yes
Scan Intervals	5~99 Sec.
Keyboard Emulation	USB
Mouse Emulation	USB
VGA Resolution	1920x1440
Bandwidth	200MHz
Cascade MAX Level	8 Levels Max 128 Servers with 16 ports KVM

### Rear View



### LCD DISPLAY SPECIFICATIONS:

Panel	Samsung 19" LCD Panel
Screen Type	TFT
Display Area	386.4(H) x 289.8(V) mm
Contrast Ratio	700:1
Viewing Angle	170°(H) x 170° (V)(Typ.)
Resolution	1280 x 1024
Pixel Pitch	0.242(H) x 0.242(W) mm
Response Time	Tr=15ms, Tf=10ms (Typ.)
Brightness	250 cd/m2
Panel Color	16.7M
Back Light	4 CCFTs
Storage Temp.	-25°C~60°C
Operating Temp.	0°C~50°C
MTBF	35,000 hours
Power Supply	110V~220V AC Input, 12V 5A Output



### PACKAGE CONTENT:

- (1) NetView Remote Access KVM Switches Via CAT5 (8/16) 3-in-one USB and VGA KVM cable, 6-feet (8/16ports)
- (1) Pair of mounting screws for rear extension mounting brackets
- (1) Power Adapter 110/220V
- (1) US Power cord
- (1) User Manual

### KEYBOARD SELECTION:

- "e" Notebook type keyboard with touch pad mouse
- "c" Cherry keyboard with trackball
- "b" Notebook type keyboard with three buttons trackball

### DIMENSION & WEIGHT:

Product Dimension (W x D x H)	inch	17.4 x 23.6 x 3.5
	cm	44.2 x 60 x 8.8
Net / gross weight	8ports	lbs 41.9 / 55.2 kg 19 / 25
	16ports	lbs 44.1 / 57.3 kg 20 / 26

### Order information

NV21982*	2U Rackmount 19" LCD 8ports USB KVM with Remote Access Via CAT5
NV219162*	2U Rackmount 19" LCD 16ports USB KVM with Remote Access Via CAT5

\* Keyboard Selection