

(1U 17", 19" High Bright LCD Drawer)

Model: HNP117/119



## Drawer Features & Display Benefits

- 1U 17" / 19" LCD display drawer
- 1280 x 1024 native resolution / 16.7M colors / 1000 cd/m<sup>2</sup> brightness
- DVI-D + VGA video input
- Short depth design of 500mm
- One Man installation design
- Enhanced aesthetics with molded front panel and two point lock
- 2-year standard warranty ( upgradable up to 5 years )

## Options

- HDMI 1.2 video input
- S-Video + Composite ( BNC )
- Audio input & output
- DC power : 12V / 24V / 48V / 125V
- Touchscreen : Capacitive 1-pt / Resistive 1-pt

Video	
Video input	VGA + DVI-D single link

Video Option		
Digital	HDMI	HDMI 1.2 / HDCP 1.1
Analog	S-Video ( 4-pin )	NTSC & PAL
	Composite ( BNC )	NTSC & PAL

LCD Panel	117	119
Panel size ( diagonal )	17"	19"
Native resolution	1280 x 1024	1280 x 1024
Brightness ( cd/m <sup>2</sup> )	1000	1000
Contrast ratio ( typ. )	1000 : 1	1000 : 1
Colors	16.7 M	16.7 M
Viewing angle ( L/R/U/D )	85/85/80/80	85/85/80/80
Response time ( ms )	5	5
Dot pitch ( mm )	0.264	0.294
Display area ( mm )	337.92H x 270.33V	376.32H x 270.33V
MTBF (hrs)	50,000	30,000
Surface treatment	Anti-glare	Haze 25%, Hard-coating
Surface hardness		3H
Backlight type		LED

Audio Option		
Input	Connector	3.5mm stereo jack
	Impedance / Power level	30kQ / 750mV
Output	Connector	3.5mm stereo jack
	Resistance / Power level	30kQ/ 2.8V
Speaker	Dual stereo	2W x 2

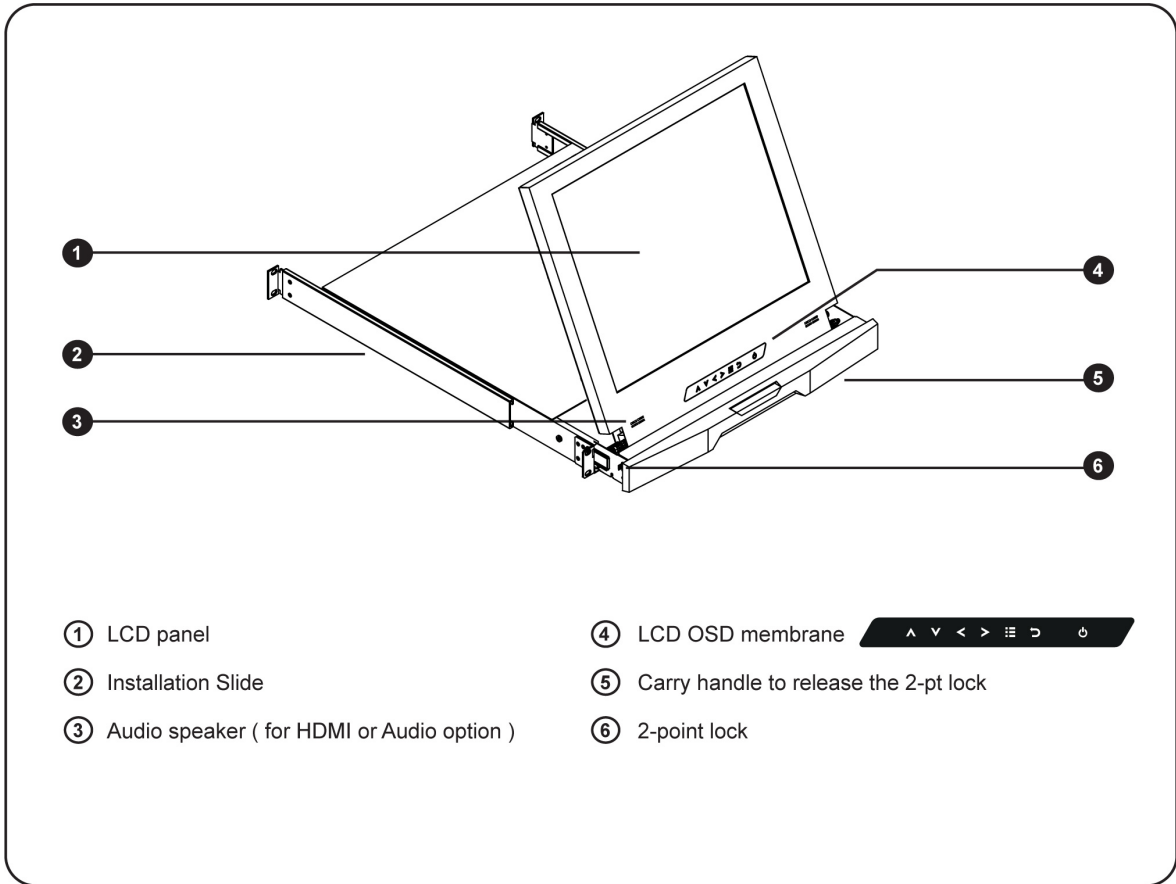
Power		
Input	Auto-sensing 100 to 240VAC, 50 / 60Hz	
Consumption	Screen on	Max. 35W
	Power saving	Max. 4W
	Power button off	Max. 1W

Environment	
Operating temp.	0 to 55°C degree
Storage temp.	-20 to 60°C degree
Operating humidity	20~90%, non-condensing
Storage humidity	5 ~90%, non-condensing
Operating altitude	16,000 ft
Non-operating altitude	40,000 ft
Shock	10G acceleration ( 11ms duration )
Vibration	10~300Hz 0.5G RMS random vibration

Compliance	
EMC	FCC & CE certified
Safety	CE / LVD certified
Environme	RoHS2 & REACH compliant

Physical		117	119
Dimensions ( WxDxH )	Product	442 x 500 x 44 mm 17.4 x 19.7 x 1.73	442 x 500 x 44 mm 17.4 x 19.7 x 1.73 inch
	Packing	588 x 758 x 120 mm 23.1 x 29.8 x	588 x 758 x 120 mm 23.1 x 29.8 x 4.7 inch
Weight	Net	10.5 kg / 23.1 lb	12.5 kg / 27.5 lb
	Gross	16.5 kg / 36.3 lb	18.5 kg / 40.7 lb

## Structure Diagram



## Dimension

