

Standalone KVM Switch

Model: M018/0116

M028/0216

M038/0316

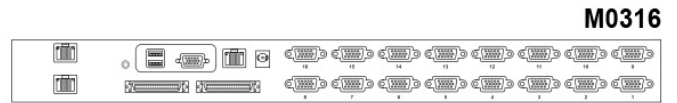
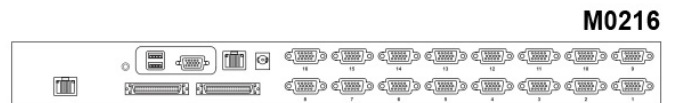
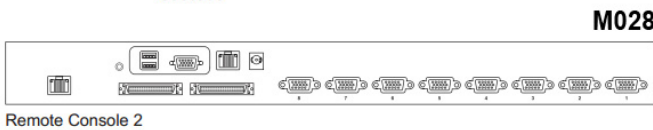
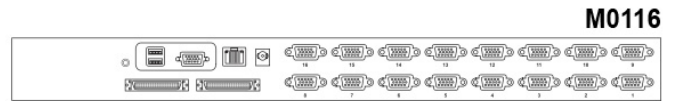
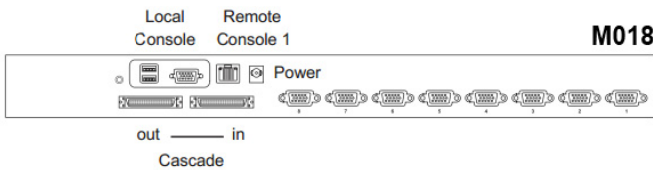
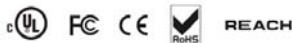


Matrix DB-15 KVM Benefits

- Efficient system management with simultaneous multi-user access
- Support resolution up to 1920 x 1080
- SUN 1152 x 900 resolution compatible
- Multi-platform servers shared by different consoles in cascade connection
- Mix PS/2, USB & SUN with Multi-Platform switch capability Extended Cat6 cord remote access up to 150 meters
- Provide a diversity of consoles to access servers independently & simultaneously

Switch Features & Options

- Greater distances between your switch and servers allow enhanced data center rack layouts
- Multi lingual on screen display menu
- Advanced user profiles and configurable OSD hot key combinations



Ordering Information

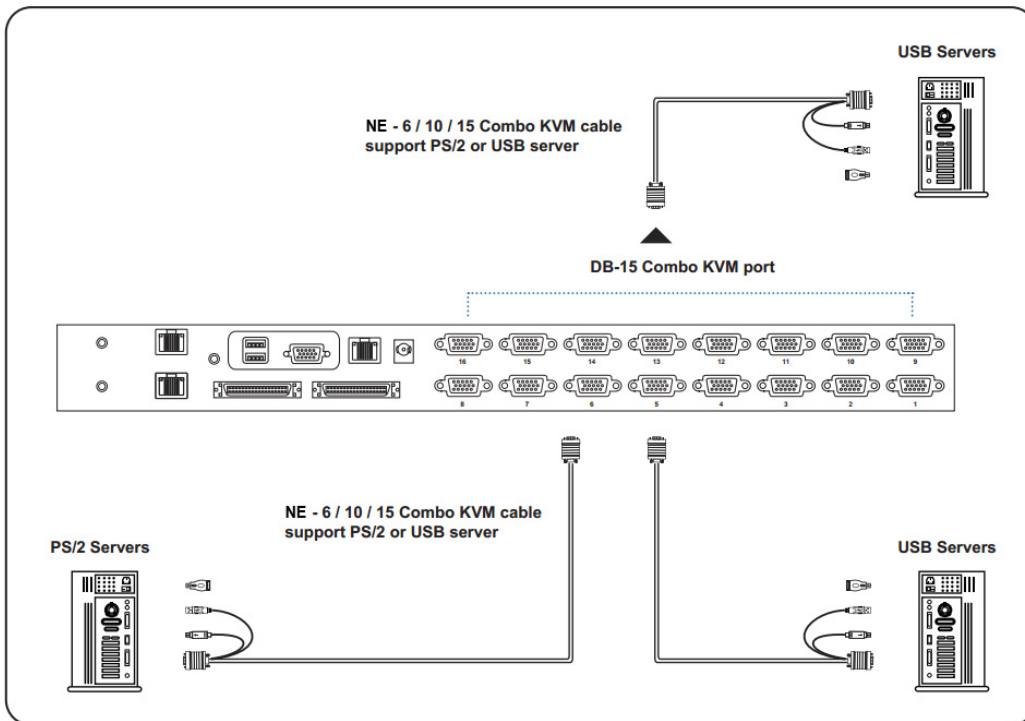
Console	Local	Remote	IP	8-port	16-port
	1	1	0	M018	M0116
	1	2	0	M028	M0216
	1	3	0	M038	M0316

KVM Specification

■ KVM Port Number of ports: 8 or 16 Connector: DB-15 combo connector Connectivity: Combo 4-in-1 KVM cable up to 6, 10 & 15 feet	
■ Local Console Monitor port: 1 x DB-15 VGA (Up to 1920 x 1080 / 1920 x 1200) Keyboard & mouse port: 2 x USB type connector for keyboard & mouse	
■ Cat6 Remote Console Number of remote port: 1 for M018 / M0116 2 for M028 / M0216 3 for M038 / M0316 Monitor port: DB15-pin VGA, up to 1600 x 1200 Keyboard & mouse port: 2 x USB type connector for keyboard & mouse Remote I/O: RJ45 via Cat5 / Cat5e / Cat6 cable up to 500 feet ■ Expansion: Up to 256 servers by 8-level cascade ■ Compatibility Multi-platform: Mix PCs, SUN and Mac G3 / G4 Mac / iMac Support: Windows 7 / Vista / 2003 / XP, Linux, Unix	

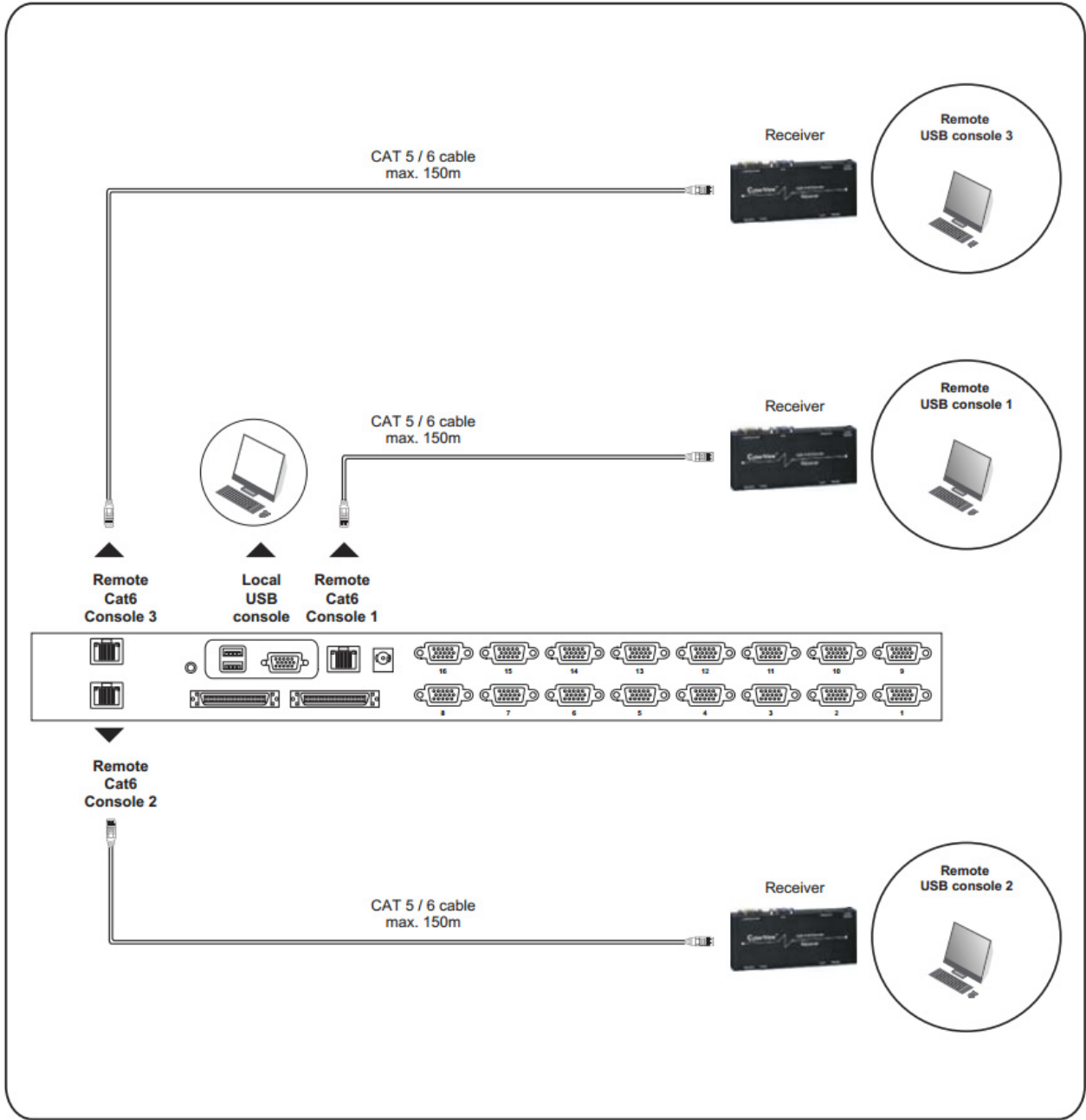
■ Power Input: AC power adapter Consumption: Max. 48 Watt, Standby 5 Watt	
■ Regulatory : Safety: cUL, FCC & CE certified Environment: RoHS2 & REACH compliant	
■ Environmental Operating: 0 to 50°C Storage: -5 to 60°C Relative humidity: 90%, non-condensing Shock: 50G peak acceleration (11ms, half-sine) Vibration: 58-100Hz / 0.98G (11ms / cycle)	
■ Product Information Dimension (W x D x H): 443 x 171 x 44 mm / 17.4 x 6.7 x 1.73 inch Net weight: 3 kg / 6.5 lb	
■ Packing Information Dimension (W x D x H): 500 x 400 x 90 mm / 19.7 x 15.7 x 3.5 inch Gross weight: 5 kg / 11 lb	

KVM port connection



- NE-6 / NE-10 / NE-15**
- 6 / 10 / 15 ft Combo KVM cable
 - Support PS/2 or USB server

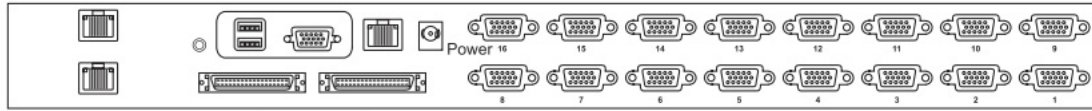
Local console & remote console connection



KVM Cascade

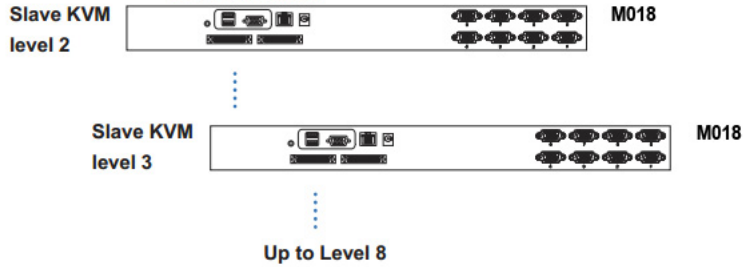
- Cascade up to 8 levels, 240 servers
- Cascading multiple KVM with CMC-8 cascade cable

Master KVM



out — in
Cascade

To cascade IN port



Cascaded KVMs from level 2 to 8 must be the models of M018 / M0116 or MC0116 / MC0132.



When multiple matrix KVMs cascade together, the master KVM at level 1 will take all control of other slave KVM switches (e.g. level 2 to 8).



The slave matrix KVM will be as a port expansion module of the master matrix KVM, the original remote console on slave KVM will be sacrificed and disabled.



CMC-8

- 8ft Matrix KVM cascade cable