

2U Triple 17.3" 1920x1080 Short Depth 22" Design Triple Display console drawer, High brightness 1000nits 1920 x 1080 native resolution / DVI-D + VGA video Fits 24" ~ 36" rack via adjustable mounting brackets

Model: NP3DW17HBe



Key Benefits

- 2U 22" short depth design
- Light weight only 46 lbs / 21 kgs
- Rugged construction for mobility & durability
- Built-in solid bearing slide rails
- Built-in dual stereo speaker (per display)
- Four LED backlit display selections (4K, FHD, 4:3)
- DVI-D + VGA video input for FHD & 4:3 (per display)
- Display port 1.2 video input for 4K (per display)
- Fits 24" ~ 36" rack via adjustable mounting brackets
- 2-year standard warranty (upgradable up to 5 years)

Options

- DC power : 24V / 48V / 125V / 250V
- 3G / HD / SD-SDI Broadcast-grade input
- Sunlight readable 17" FHD display
- Touchscreen : Projected Capacitive (10-pt) / Resistive (1-pt)

The NP3D 2U dual or triple display drawer is designed for Command and Control Systems which demand quick deployment for multi-faceted displays.

2U 22" depth platform allows for small size and transit case portability. To ensure chassis ruggedness, mobility and quality, as well as being suitable for harsh environment applications, the drawer is meticulously constructed by our team of experts in our own CNC facilities for such applications.

The key benefit of the NP3D series is the choice of different resolution panels available, including 4K 17", FHD 17", and 19" 4:3 LED backlit displays. Sunlight Readable FHD 17" LCD is also available. 4K 17" displays satisfy the increasing demand for superior graphics and image clarity

Specifications

LCD Panel	
Native resolution	1920 x 1080
Panel size (diagonal)	17.3"
Brightness (cd/m ²)	1000
Contrast ratio (typ.)	600 : 1
Colors	16.7 M, 8-bit
Viewing angle (L/R/U/D)	80/80/60/80
Response time (ms)	40
Dot pitch (mm)	0.1989
Display area (mm)	381.888H x 214.812V
Surface treatment	Anti-glare, Hard-coating
Surface hardness	3H
Backlight type	LED
MTBF (hrs)	50,000

Video		
Digital	Display port	-
	HDMI	HDMI 1.3 / HDCP 1.3
	DVI-D	DVI-D, TMDS single link
Analog	VGA	Analog 0.7Vp-p
Plug & Play	DVI / VGA	VESA EDID structure 1.3
Synchronizatio	VGA	Separate, Composite & SOG

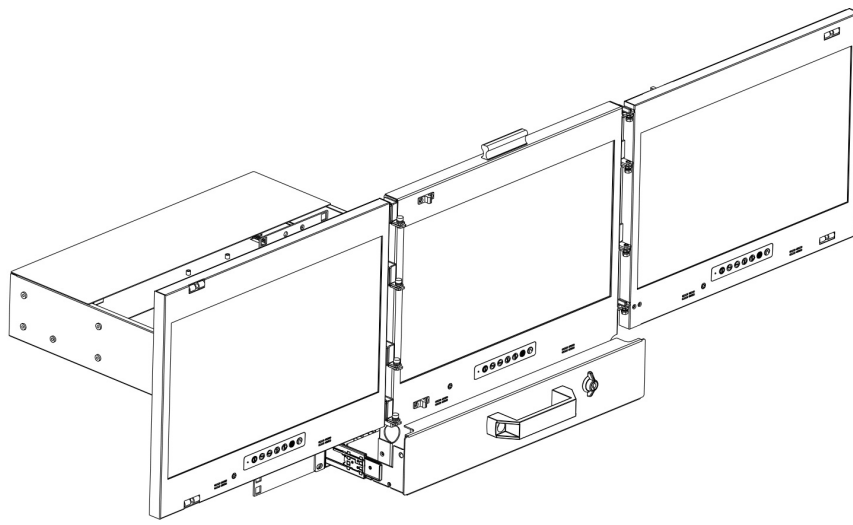
Power		
Input		Auto-sensing 100 to 240VAC, 50 / 60Hz
Consumption	Screen on	Max. 25W
	Power saving	Max. 4W
	Power button on	Max. 1W

Physical			
Product (W x D x H)		mm inch	441.6 x 550 x 88 17.4 x 21.7 x 3.5
Packing (W x D x H)		mm inch	585 x 620 x 190 23 x 24.4 x 7.5
Weight	Net	Triple display Dual display	24.1 kg / 53 lb 22.1 kg / 48.6 lb
	Gross	Triple display Dual display	29.1 kg / 64 lb 27.1 kg / 59.6 lb
Chassis color			Dark
Chassis materials			Steel

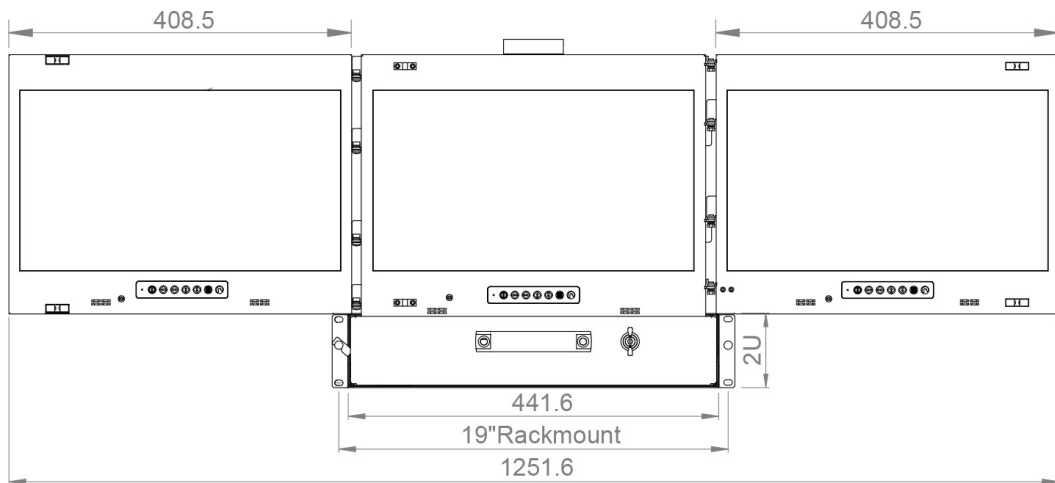
Compliance	
Safety	FCC & CE certified
Environment	RoHS2 & REACH compliant

Environment	
Operating temp.	0 to 55°C degree
Storage temp.	-20 to 60°C degree
Operating	20~90%, non-condensing
Storage humidity	5 ~90%, non-condensing
Operating altitude	16,000 ft
Non-operating	40,000 ft
Shock	10G acceleration (11ms duration)
Vibration	10~300Hz 0.5G RMS random vibration

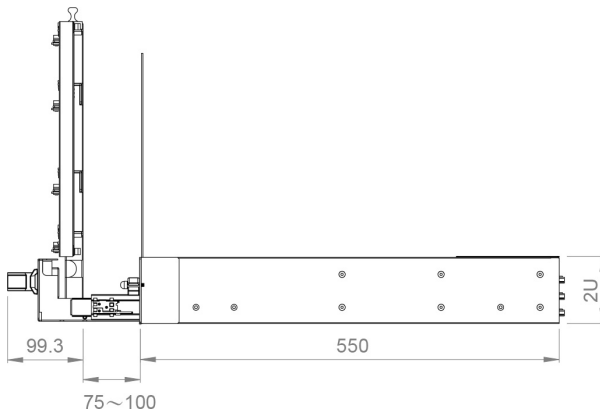
Diagrams (mm)



Front View



Side View



Top View

