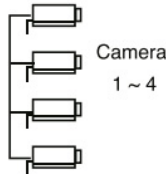


Model: NPQ919
(1U 19" Quad Display)



NPQ919



Display Features & Benefits

- 9U 19" rackmount LCD
- Built-in Quad Display
- Ideal for CCTV security & industrial control

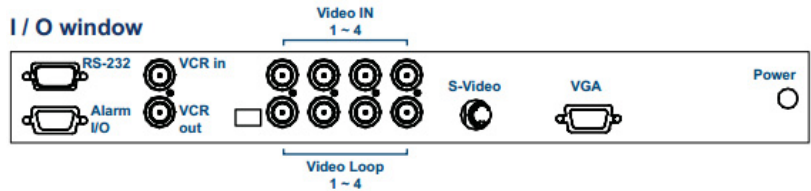
Options

- 48V, 24V or 12VDC power

Front QD membrane button



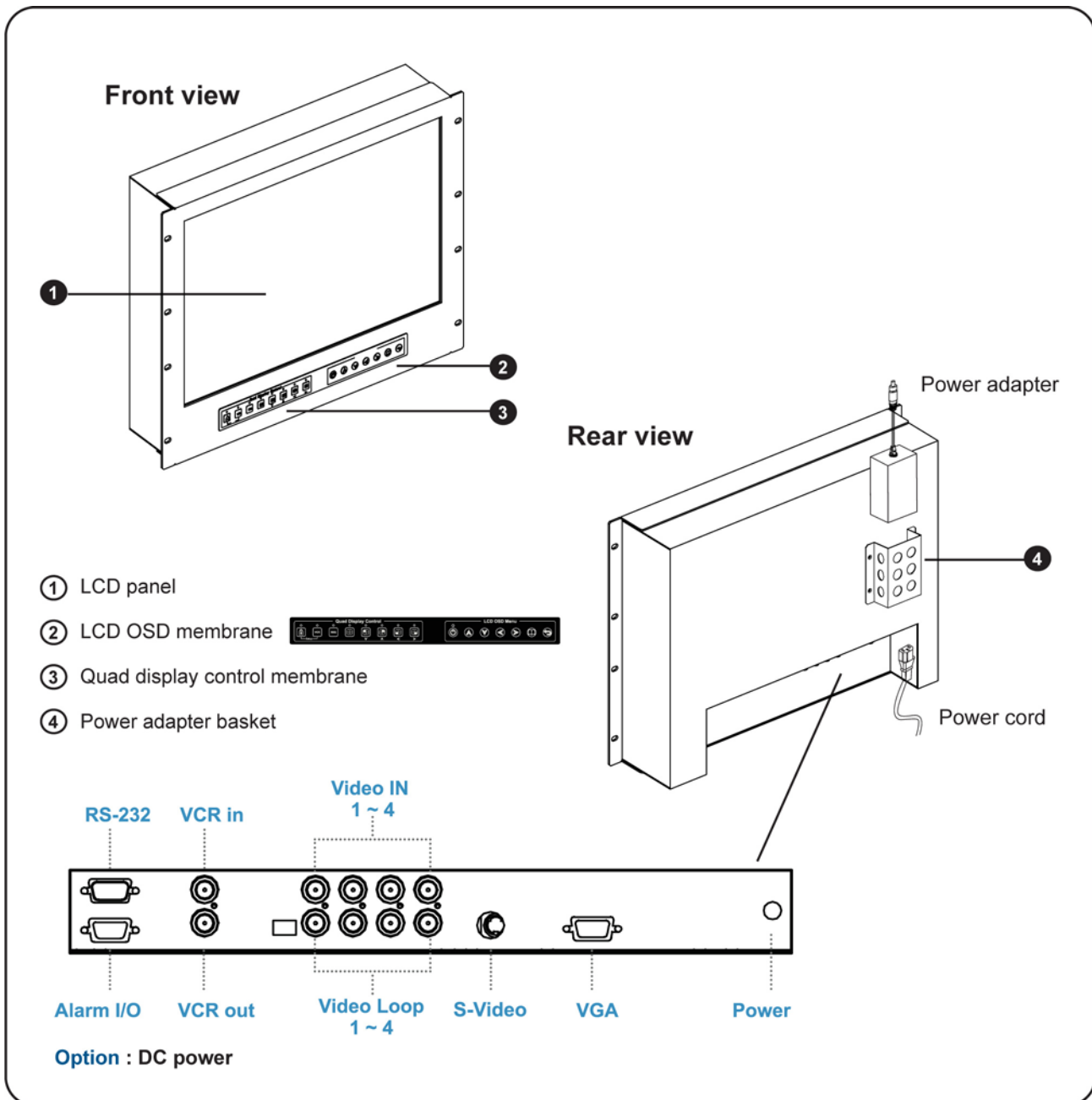
I / O window



LCD Panel	
Manufacturer	AUO
Diagonal size	19" TFT
Max. Resolution	1280 x 1024
Brightness (cd/m2)	250
Backlight	LED
Colors	16.7M
Contrast Ratio (typ)	1000 : 1
Viewing Angle (H/V)	170° x 160°
Active area (mm)	376 x 301
MTBF (hrs)	30,000
Signal input	VGA
Weight	
Net	9.5 kgs (21 lbs)
Gross	12.5 kgs (28 lbs)
Environmental	
Operating	0 to 50°C Degree
Storage	-5 to 60°C Degree
Relative humidity	5~90%, non-condensing

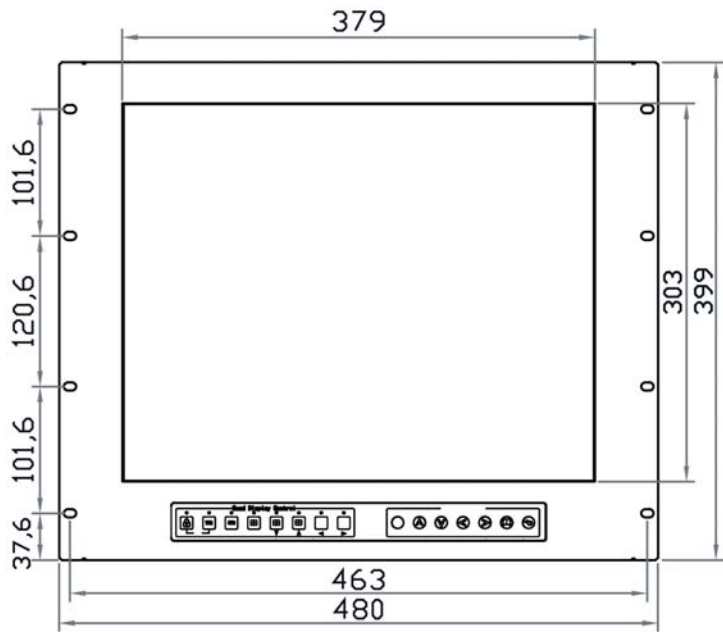
Shock	10G acceleration (11 ms duration)
Vibration	5~500Hz 1G RMS random vibration
Casing Color	Black front panel (RAL 9005)
Regulatory	FCC, CE, RoHS
Power	
Input	Auto-sensing 100 to 240VAC, 50 / 60Hz
Consumption	Max. 48 Watt, Standby 5 Watt
Dimensions	
Product	480 x 68.5 x 399 mm / 18.9 x 2.7 x 15.7 inch
Packing	583 x 124 x 529 mm / 23 x 4.9 x 20.8 inch

Structure Diagram



Dimension

Front View

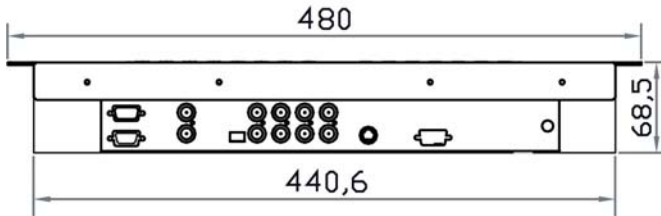


Side View



UNIT : mm
1mm = 0.03937 inch

Bottom View



Model	Product Dimension (W x D x H)	Packing Dimension (W x D x H)	Net Weight	Gross Weight
NPQ919	480 x 68.5 x 399 mm 18.9 x 2.7 x 15.7 inch	583 x 124 x 529 mm 23 x 4.9 x 20.8 inch	9.5 kg 20.9 lbs	12.5 kg 27.5 lbs