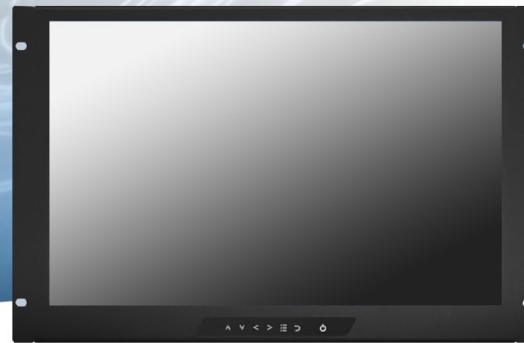


7U 19" Widescreen LCD Display, 1440x900, VGA+HDMI (no speaker), 250nits, -LED Backlight-, Contrast: 1000:1 20lbs, Auto-sensing 100 to 240VAC, 50/60Hz.

Model: NPW719



FEATURES:

- 19-inch widescreen LCD display panel
- With a resolution of 1440 x 900 and support for 16.7 million colors.
- Features HDMI 1.4 and VGA video inputs (speakers not included).
- Comes with a standard 2-year warranty, with the option to upgrade to a 5-year warranty.

SPECIFICATIONS:

Video	
Video input	HDMI 1.4 + VGA

Video Option		
Digital	DVI-D	DVI-D single link
Analog	Composite (BNC)	NTSC & PAL

LCD Panel	
Panel size (diagonal)	19"
Native resolution	1440 x 900
Brightness (cd/m ²)	250
Contrast ratio (typ.)	1000 : 1
Colors	16.7 M
Viewing angle (L/R/U/D)	85/85/80/80
Response time (ms)	5
Dot pitch (mm)	0.2835
Display area (mm)	408.24H x 255.15V
MTBF (hrs)	30,000
Surface treatment	Anti-glare
Surface hardness	3H
Backlight type	LED

Audio Option		
Input	Connector	3.5mm stereo jack
	Impedance / Power level	30kQ / 750mV
Output	Connector	3.5mm stereo jack
	Resistance / Power level	30kQ/ 2.8V
Speaker	Dual stereo	2W x 2

OPTIONS

- Dual stereo speakers for HDMI (HS4.4)
- DVI-D + Audio input & output + Speakers (DV4.4)
- Composite + Audio IN + Speakers (BNC)
- 3G / HD / SD-SDI Broadcast-grade input + Speakers (SDI)
- Multi display OSD controller (MCS)
- MIL-type or lockable connector
- DC power : 12V / 24V / 48V / 125V / 250V
- Touchscreen : Resistive 1-pt

Power		
Input	Auto-sensing 100 to 240VAC, 50 / 60Hz	
Consumption	Screen on	Max. 20W
	Power saving mode	Max. 2W
	Power button off	Max. 1W

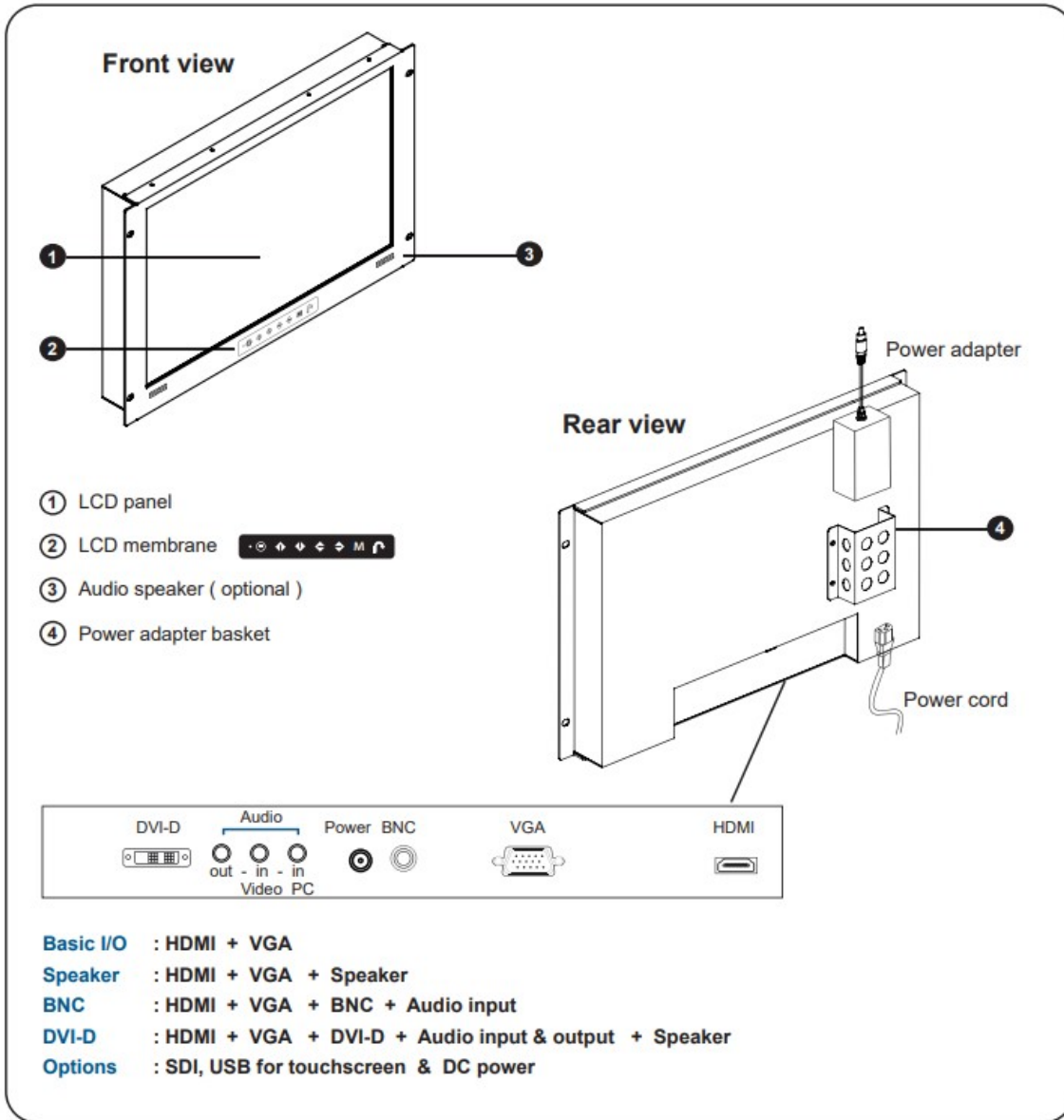
Environment	
Operating temp.	0 to 55°C degree
Storage temp.	-20 to 60°C degree
Operating humidity	10~90%, non-condensing
Storage humidity	5 ~90%, non-condensing
Operating altitude	16,000 ft
Non-operating altitude	40,000 ft
Shock	10G acceleration (11ms duration)
Vibration	10~300Hz 0.5G RMS random vibration

Compliance	
EMC	FCC & CE
Safety	CE / LVD & UKCA
Environment	REACH & RoHS3 / WEEE

Physical		
Dimensions (W x D x H)	Product	480 x 58 x 310 mm 18.9 x 2.3 x 12.2 inch
	Packing	529 x 124 x 451 mm 20.8 x 4.9 x 17.8 inch
Weight	Net	5.8 kg / 12.8 lb
	Gross	7.9 kg / 17.4 lb

*Specifications subject to change without notice, not responsible for typographical errors.

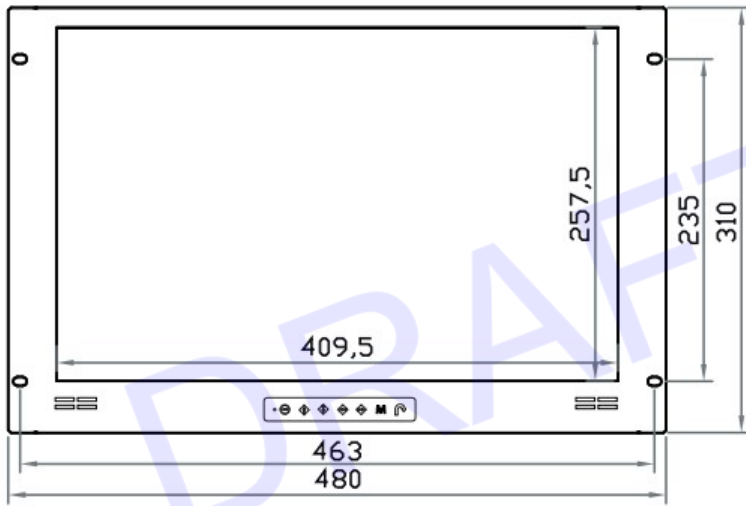
STRUCTURE DIAGRAM



DIMENSION

This is subject to change without Notice. Final Drawings Will be Provided for Approval after Order.

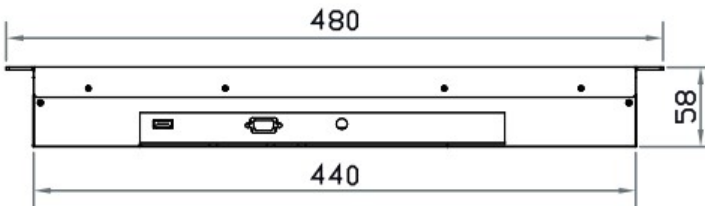
Front View



Side View



Bottom View



UNIT : mm
1mm = 0.03937 inch

Drawing No.: NPW719-01082024-V1