

8U Rackmount 21.5" widescreen LCD display
1920 x 1080, LED Backlight w/ speaker + MCS
(Multi-display control)

Model: NPW8215-M



NPW8215-M



LCD Display Benefits

- 8U rackmount 21.5" widescreen LCD
- Support Full HD with 1080p resolution
- Green LED-backlit panel technology
- PIP & Picture by Picture viewing efficiency
- VESA and Rackmount multiple hole mounting
- Ideal for CCTV security & industrial control

Options

- 3G/HD/SD-SDI Broadcast-grade input
- MCS Multi-display control solution
- F21" Touchscreen : Capacitive, Resistive, Multi-touch
- S-Video + Composite (BNC) or Audio input
- 48V, 24V or 12VDC power
- MIL-type or lockable connector

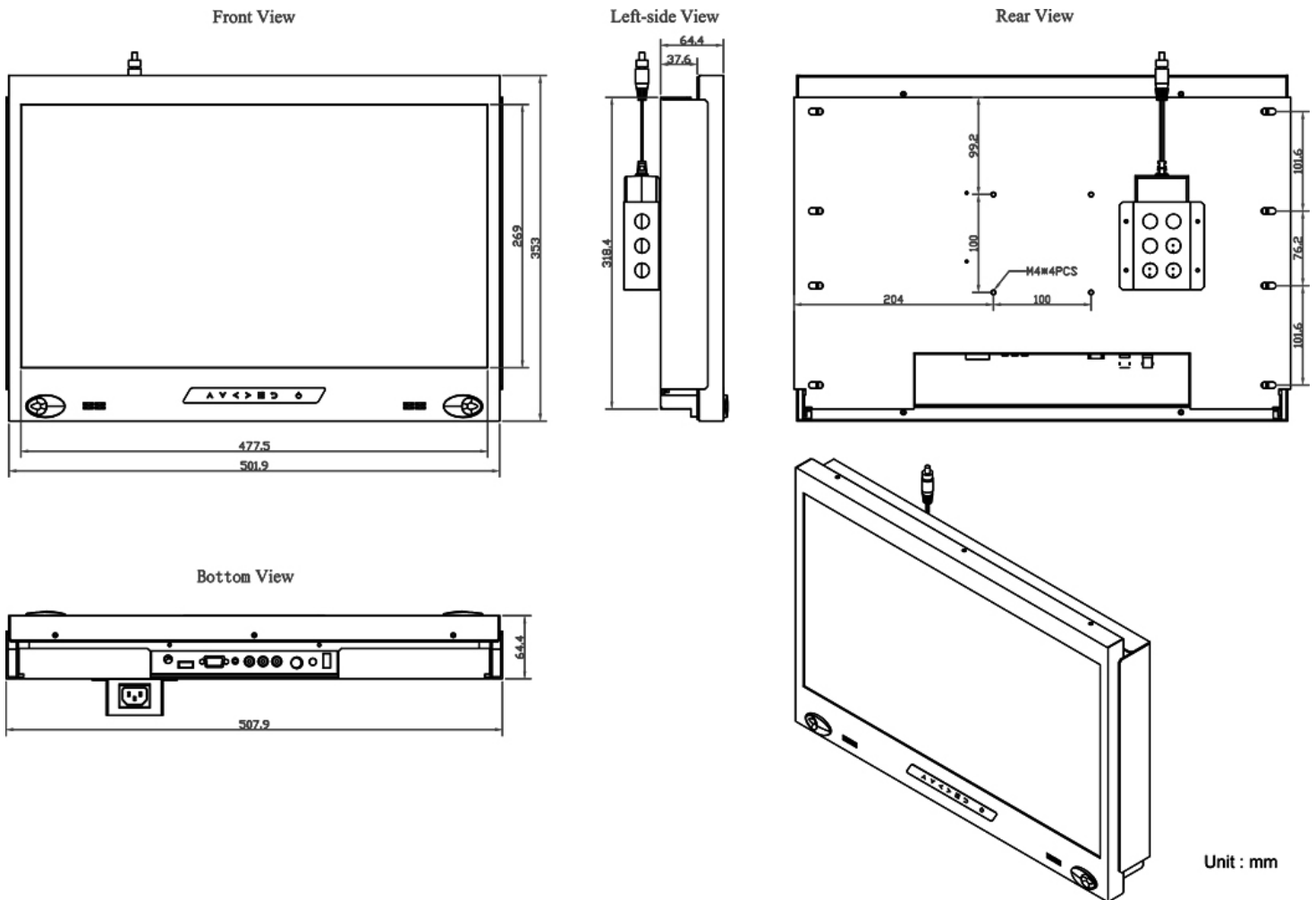


Basic I/O: DVI-D + VGA + HDMI w/ speaker
AV3.0 upgrade: DVI-D + VGA + HDMI + BNC + S-Video + audio
Options: SDI, USB for touchscreen & DC power

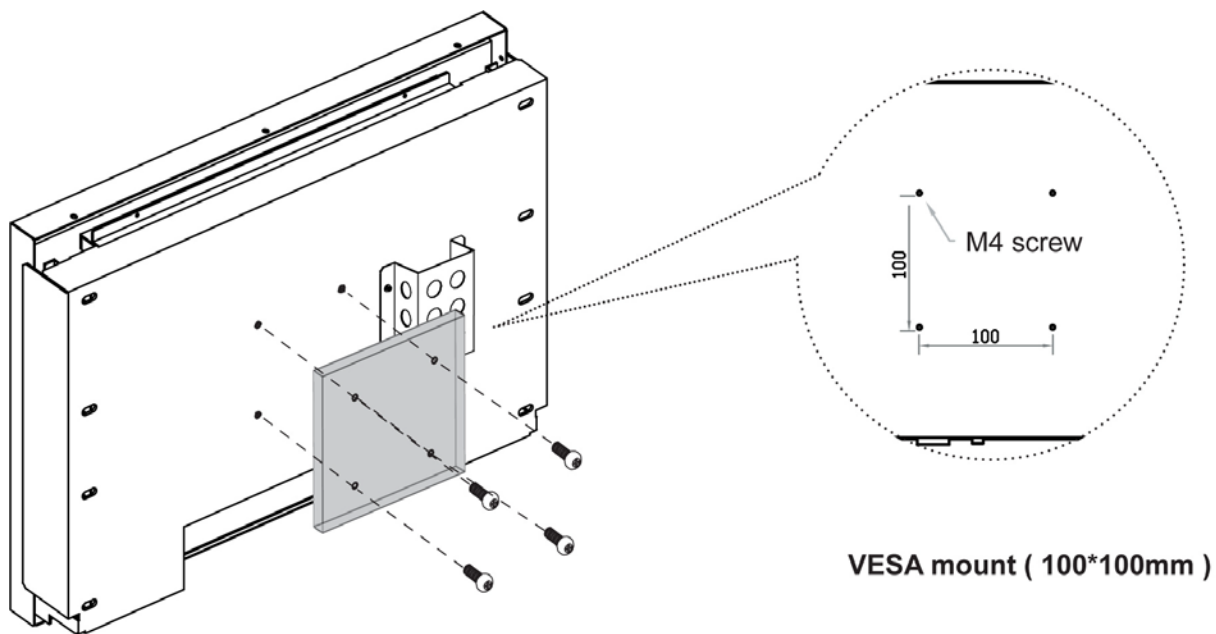
| | |
|----------------------|-----------------------|
| LCD Panel | |
| Manufacturer | Samsung |
| Diagonal size | 21.5" widescreen TFT |
| Max. Resolution | 1920 x 1080 |
| Brightness (cd/m2) | 250 |
| Backlight | LED |
| Colors | 16.7M |
| Contrast Ratio (typ) | 1000 : 1 |
| Viewing Angle (H/V) | 170° x 160° |
| Active area (mm) | 477 x 268 |
| MTBF (hrs) | 30,000 |
| Signal input | VGA, DVI-D and HDMI |
| Sound | 2 x 2W Power |
| Weight | |
| Net | 7.5 kgs / 16.5 lbs |
| Gross | 10 kgs / 22 lbs |
| Environmental | |
| Operating | 0 to 50°C Degree |
| Storage | -5 to 60°C Degree |
| Relative humidity | 5~90%, non-condensing |

| | |
|--------------|--|
| Shock | 10G acceleration (11 ms duration) |
| Vibration | 5–500Hz 1G RMS random vibration |
| Casing Color | Black front panel (RAL 9005) Dark grey rear case (RAL 7037) |
| Mounting | Rackmount, 8U VESA mount, 100*100mm |
| Regulatory | FCC, CE, RoHS |
| Power | |
| Input | Auto-sensing 100 to 240VAC, 50 / 60Hz |
| Consumption | Max. 48 Watt, Standby 5 Watt |
| Dimensions | |
| Product | 501.9 x 64.4 x 353 mm/19.8 x 2.5 x 13.9 inch |
| Packing | 555 x 124 x 537 mm/21.9 x 4.9 x 21.1 inch |

Drawings:

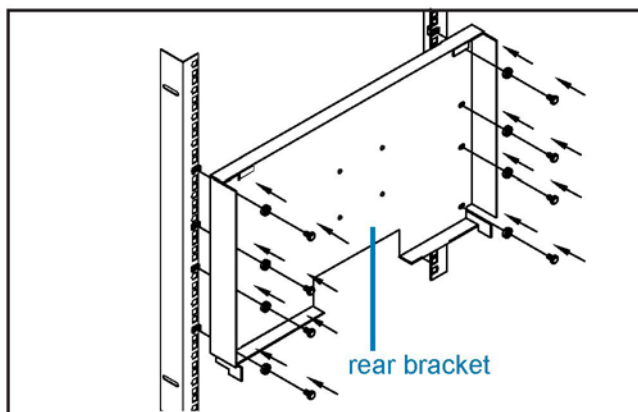


VESA mount Installation



- Hardware and M4*4 pcs for VESA mount are not provided

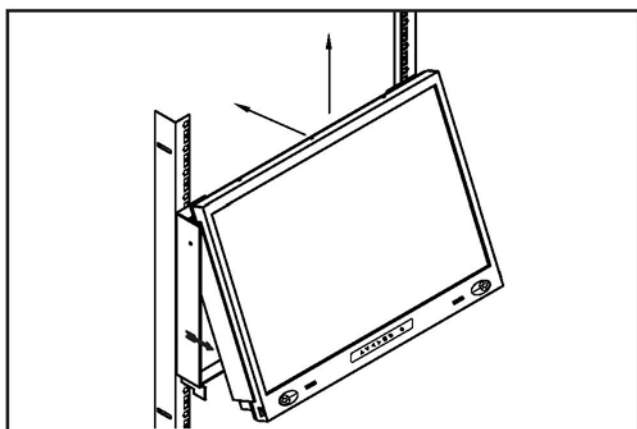
Rear Mounting Bracket Installation



Step 1

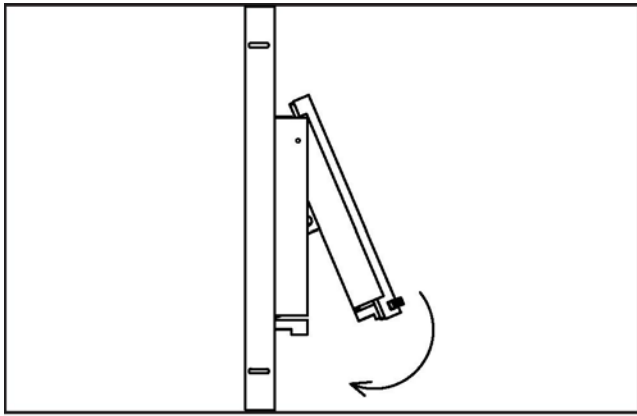
- Mount the rear bracket with M6 screw set.
- 8 x M6 screw set are required.

M6 screw sets are not provided.



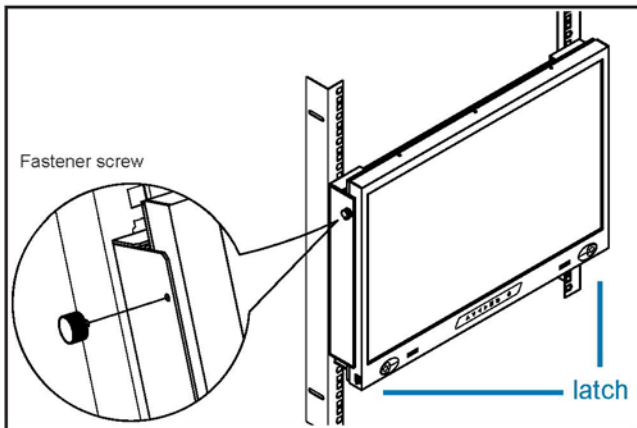
Step 2

- Insert the upper part of the NPW8215 display panel into the rear bracket



Step 3

- Push the lower part of the NPW8215 display panel into the rear bracket.



Step 4

- Fix the NPW8215 display panel into the rear bracket with two fasteners (Left & right side).
- Lock the NPW8215 display panel by the latch (on the bottom left & right side).

