

9U Rackmount 24" widescreen LCD display 1920 x 1200,
LED PIP & Picture by Picture viewing efficiency DVI-D, VGA,
HDMI 1.3 video input Built-in dual stereo speakers

Model: NPW92400

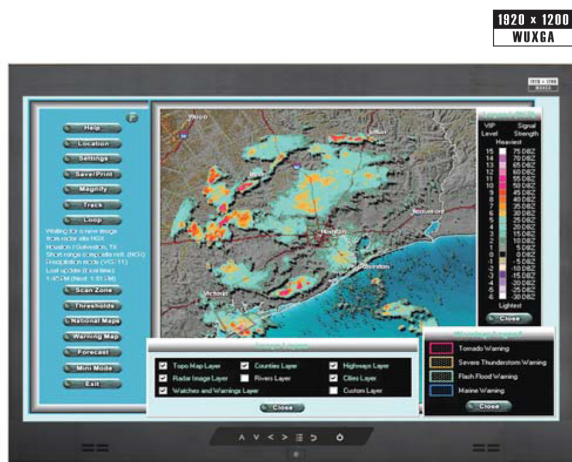


DISPLA FEATURES AND BENEFITS

- 9U 24" LCD
- 1920 x 1200 **WUXGA** native resolution / 16.7M colors
- **PIP & Picture by Picture viewing efficiency**
- DVI-D, VGA, HDMI 1.3 video input
- Built-in dual stereo speakers
- Support Rackmount and VESA mount 100 x 100mm
- 2-year warranty standard (up to 5 years)

OPTIONS

- **MCS** Multi display OSD controller
- DC power : 12V / 24V / 48V / 125V / 250V
- S-Video + Composite (BNC)
- X24" Touchscreen : Resistive (1-point touch)
- 3G / HD / SD-**SDI** Broadcast-grade input
- MIL-type or lockable connector



SPECIFICATIONS

LCD Panel

Size (diagonal) :	24.1"
Max resolution :	1920 x 1200
Brightness (cd/m2) :	300
Backlight :	LED
Colors :	16.7 M
Contrast ratio (typ) :	1000 : 1
Viewing angle (H/V) :	178° x 178°
Active area (mm) :	518 x 324
MTBF (hrs) :	30,000
Video input :	DVI-D / VGA / HDMI 1.3 standard
Speaker:	Built-in Dual Stereo Speakers , 2W x 2
Casing Color :	Black (RAL 9005)
Power Input :	Auto-sensing 100 to 240VAC, 50 / 60Hz

Power Consumption

Screen on :	Max. 40W
Power saving mode :	Max. 5W
Power button on :	Max. 1W

Environmental

Operating temperature:	0 to 55°C degree
Storage temperature :	-20 to 60°C degree
Operating humidity :	20~90%, non-condensing
Storage humidity :	5 ~90%, non-condensing
Operating altitude :	16,000 ft
Non-operating altitude :	40,000 ft
Shock :	10G acceleration (11ms duration)
Vibration :	5~500Hz 1G RMS random vibration

Regulatory

Safety :	FCC & CE certified
Environmental :	RoHS2 & REACH compliant
Mounting :	Rackmount, 9U VESA mount, 100*100mm

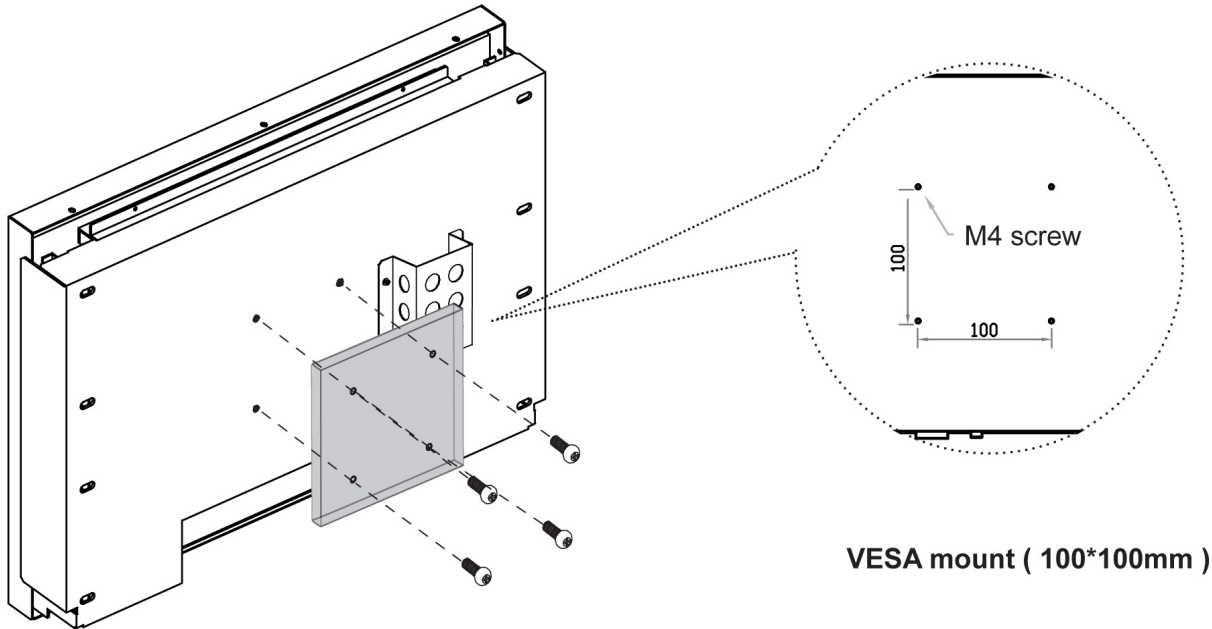
Weight

Net :	10.3 kgs / 22.7 lbs
Gross :	12.7 kas / 27.9 lbs

Dimensions

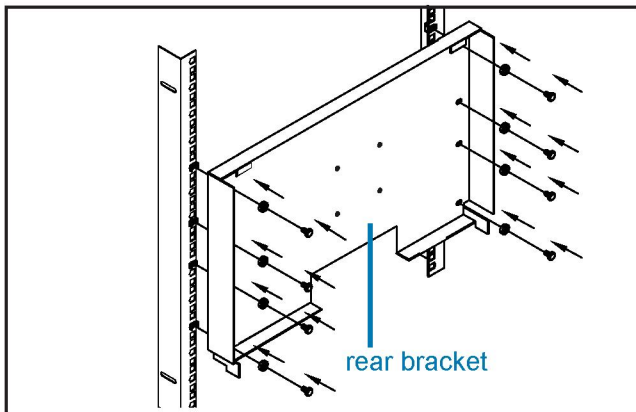
Product :	551.3 x 64.7 x 385 mm / 21.7 x 2.5 x
Packing :	585 x 124 x 557 mm / 23 x 4.9 x 2

VESA mount Installation



- Hardware and M4*4 pcs for VESA mount are not provided

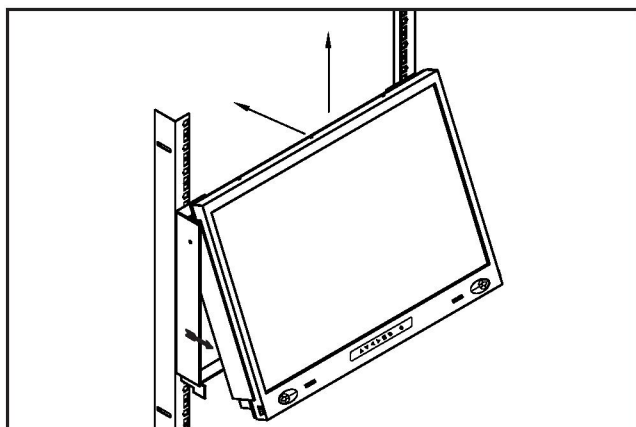
Rear Mounting Bracket Installation



Step 1

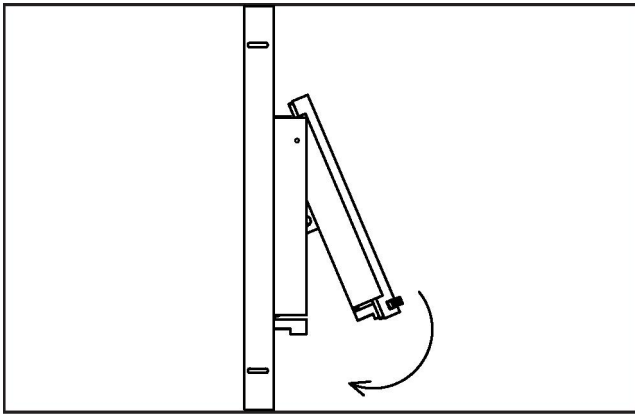
- Mount the rear bracket with M6 screw set.
- 8 x M6 screw set are required.

M6 screw sets are not provided.



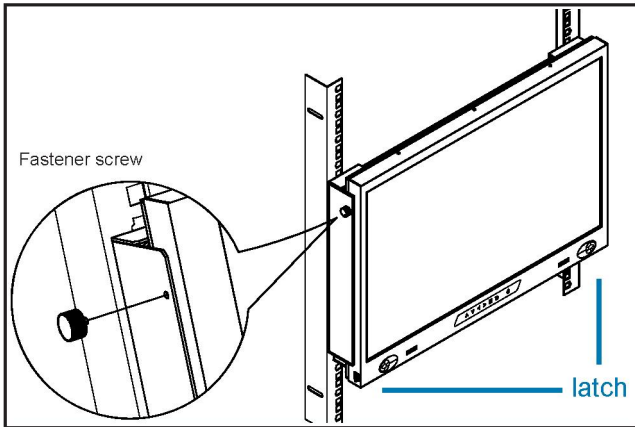
Step 2

- Insert the upper part of the NPW8215 display panel into the rear bracket



Step 3

- Push the lower part of the NPW8215 display panel into the rear bracket.



Step 4

- Fix the NPW8215 display panel into the rear bracket with two fasteners (Left & right side).
- Lock the NPW8215 display panel by the latch (on the bottom left & right side).

MECHANICAL DRAWING:

Diagram

