



Standalone KVM Switch
 Model: NVC800
 NVC1600
 NVC3200

Combo Cat6 2-console KVM Benefits

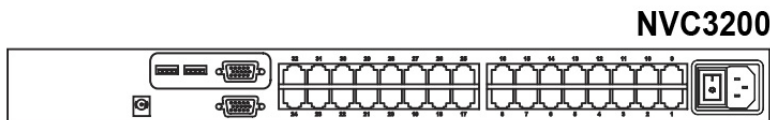
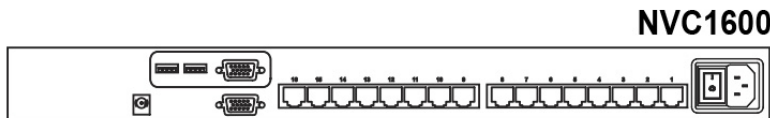
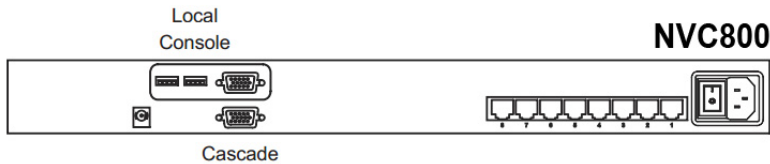
- Combo Cat6 KVM with either 8, 16 or 32 ports in 1U
- Up to 40 meters between your servers & KVM ports
- Cascade switches up to 8 levels & Mix switches between Cat6 & Combo DB-15 KVM
- Support DVI-USB, VGA-USB & VGA-PS/2 server interface
- Mix PS/2, USB & SUN with Multi-Platform switch capability



Switch Features & Options

- Multi lingual on screen display menu
- Advanced user profiles and configurable OSD hot key combinations
- Dual power with failover

12V, 24V and 48V DC Power options



Ordering Information

Console	Local	Remote	IP	8-port	16-port	32-port
	1	0	0	NVC800	NVC1600	NVC3200

KVM Specification

■ KVM Port

Number of ports: 8, 16 or 32
 Connector: RJ-45
 Connectivity: DVI-D / VGA connector dongle up to 40 meters (132 feet) via Cat6 / Cat5 cable

■ Management

Multilingual OSD: English, France, German, Spanish, Italian, Russian, Simplified Chinese, Japanese
 Hotkey combination: Scroll-lock, Cap-lock, Num-lock, Alt, Ctrl & Win
 Security: Password enable & disable, up to 8 users profile for port access
 PC Selection: Front button, OSD menu & hotkey

■ Local Console

Graphic Connector: 1 x DB-15 VGA
 Resolution: Up to 1600 x 1200
 Input device: 2 x USB type A for keyboard & mouse
 Resolution support: 4:3 - max. 1600 x 1200
 16:10 - max. 1440 x 900

■ Expansion:

Up to 256 servers by 8-level cascade

■ Compatibility

Multi-platform: Mix PCs, SUN and Mac G3 / G4 Mac / iMac
 Support: Windows 7 / Vista / 2003 / XP, Linux, Unix

■ Power

Input: Auto sensing 100 to 240VAC, 50 / 60 Hz
 OR AC / DC power adapter 12V@3.3A (optional)
 Option DC: 12V / 24V / 48V DC input
 Consumption: Max. 24 Watt, Standby 5 Watt

■ Regulatory :

Safety: cUL, FCC & CE certified
 Environment: RoHS2 & REACH compliant

■ Environmental

Operating: 0 to 50°C
 Storage: -5 to 60°C
 Relative humidity: 90%, non-condensing
 Shock: 50G peak acceleration (11ms, half-sine wave)
 Vibration: 58-100Hz / 0.98G (11ms / cycle)

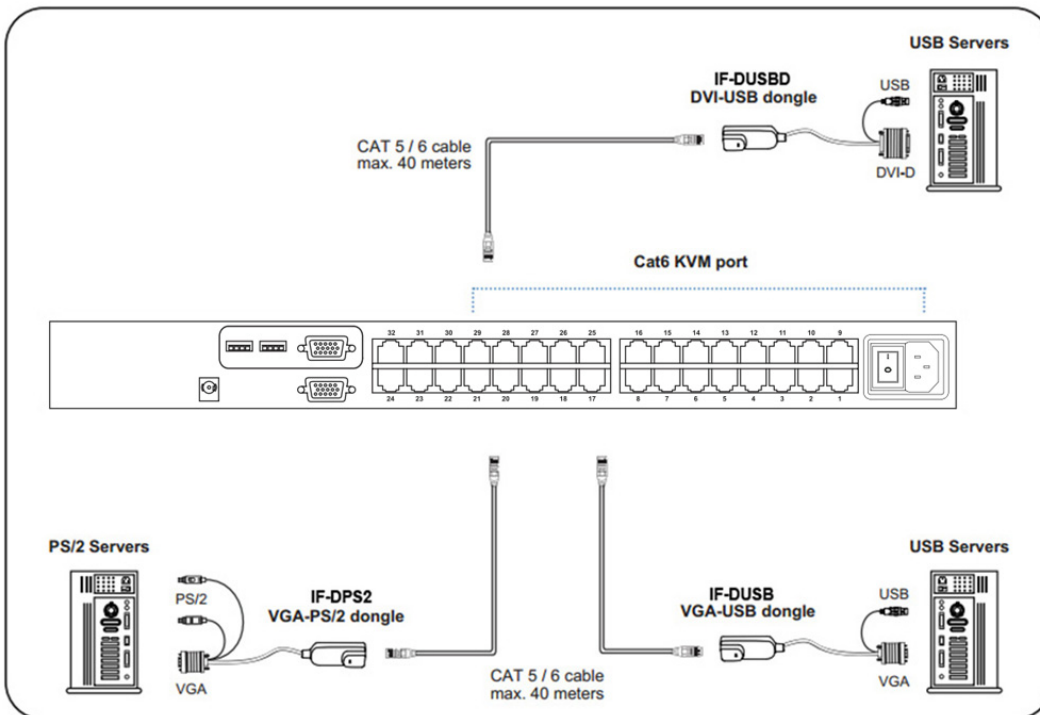
■ Product Information

Dimension (W x D x H): 443 x 171 x 44 mm / 17.4 x 6.7 x 1.73 inch
 Net weight: 3 kg / 6.5 lb

■ Packing Information

Dimension (W x D x H): 500 x 400 x 90 mm / 19.7 x 15.7 x 3.5 inch
 Gross weight: 5 kg / 11 lb

KVM port & Cat6 dongle connection



IF-DUSBD DVI-USB dongle

- To connect DVI-D connector to the computer's video card
- To connect USB connector to the computer's USB port



IF-DUSB VGA-USB dongle

- To connect DB-15 connector to the computer's video card
- To connect USB connector to the computer's USB port



IF-DPS2 VGA-PS/2 dongle

- To connect DB-15 connector to the computer's video card
- To connect PS/2 keyboard connector to the computer's keyboard port
- To connect PS/2 mouse connector to the computer's mouse port

Cat6 Dongle	EDID Resolution Hard-coded	Resolutions Capable			
		4:3			16:10
		1024 x 768	1280 x 1024	1600 x 1200	1440 x 900
IF-DPS2	1600 x 1200	✓	✓	✓	✓*
IF-DUSB	1600 x 1200	✓	✓	✓	✓*
IF-DUSBD	1280 x 1024	✓	✓	✗	✗

* Requires the user to enable showing unsupported resolutions via the target computer's video adapter settings (effectively ignoring the DDC / EDID)

KVM Cascade

- Cascade up to 8 levels, 256 servers
- Cascading multiple KVM with CBC-6 cascade cable

