



Standalone KVM Switch
Model: NVCE800
NVCE1600

Combo DB-15 2-console KVM Benefits

- Combo DB-15 KVM with either 8 or 16 ports in 1U
- Remote access up to 150 meters
- Cascade switches up to 8 levels & Mix switches between Cat6 & Combo DB-15 KVM
- Support resolution up to 1920 x 1080
- SUN 1152 x 900 resolution compatible
- Mix PS/2, USB & SUN with Multi-Platform switch capability
- Cost efficient remote server management between user & equipment rooms within the building

Switch Features & Options

- Multi lingual on screen display menu
- Advanced user profiles and configurable OSD hot key combinations

12V, 24V and 48V DC Power options

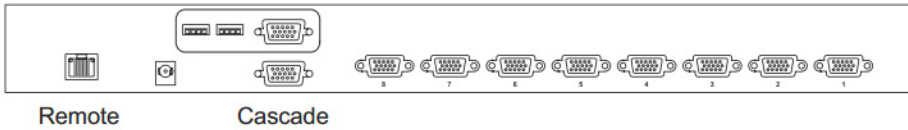


UL FC CE RoHS REACH

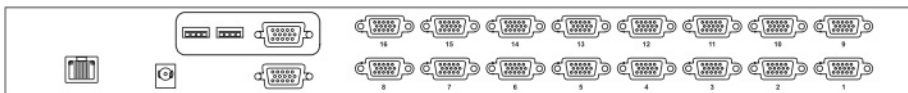


Local Console

NVCE800



NVCE1600



Ordering Information

Console	Local	Remote	IP	8-port	16-port
	1	1	0	NVCE800	NVCE1600

KVM Specification

■ KVM Port

Number of ports: 8 or 16
 Connector: DB-15 combo connector
 Connectivity: Combo 4-in-1 KVM cable, up to 6, 10 & 15 feet

■ Local Console

Graphic Connector: 1 x DB-15 VGA
 Resolution: Up to 1920 x 1080 / 1920 x 1200
 Input device: 2 x USB type A for keyboard & mouse

■ Remote Console

Connector: 1 x DB 15-pin, VGA
 Resolution: Up to 1600x 1200
 Input Device: 2 x USB type A for keyboard & mouse
 Remote I/O: RJ45 via Cat5 / Cat5e / Cat6 cable up to 150m

Compensation: Auto adjust for cable length
 Expansion: Up to 128 servers by 8-level cascade

■ Expansion:

■ Compatibility

Multi-platform: Mix PCs, SUN and Mac G3 / G4 Mac / iMac
 Support: Windows 7 / Vista / 2003 / XP, Linux, Unix

■ Power

Input: Auto sensing 100 to 240VAC, 50 / 60 Hz
 Option DC: 12V / 24V / 48V DC input
 Consumption: Max. 24 Watt, Standby 5 Watt

■ Regulatory :

Safety: cUL, FCC & CE certified
 Environment: RoHS2 & REACH compliant

■ Environmental

Operating: 0 to 50°C
 Storage: -5 to 60°C
 Relative humidity: 90%, non-condensing
 Shock: 50G peak acceleration (11ms, half-sine wave)
 Vibration: 58-100Hz / 0.98G (11ms / cycle)

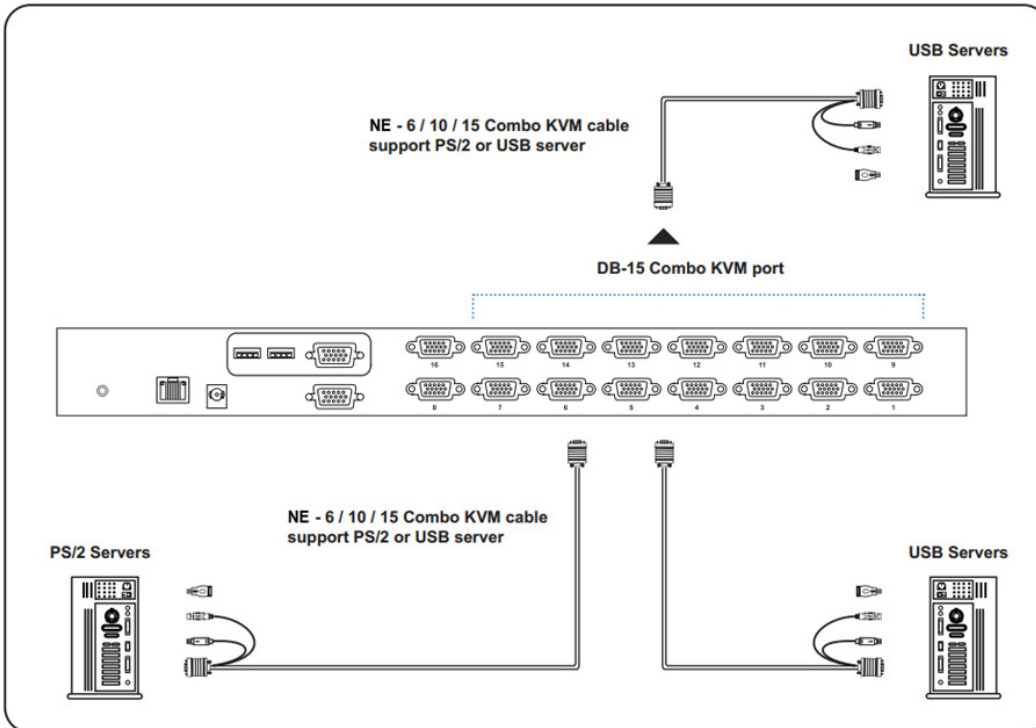
■ Product Information

Dimension (W x D x H): 443 x 171 x 44 mm / 17.4 x 6.7 x 1.73 inch
 Net weight: 2.3 kg / 5.1 lb (NVCE800)
 2.5 kg / 5.5 lb (NVCE1600)

■ Packing Information

Dimension (W x D x H): 500 x 400 x 90 mm / 19.7 x 15.7 x 3.5 inch
 Gross weight: 3.8 kg / 8.4 lb (NVCE800)
 4.1 kg / 9 lb (NVCE1600)

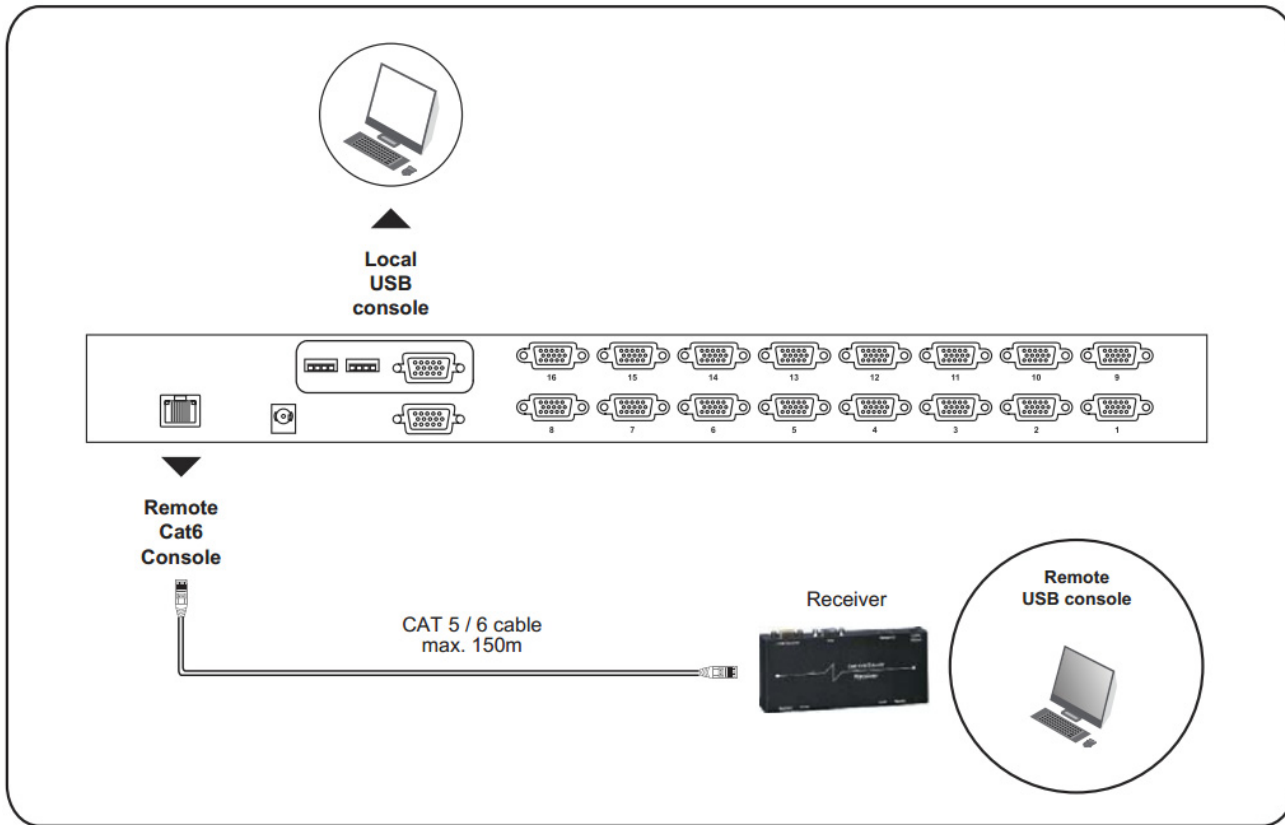
KVM port connection



NE-6 / NE-10 / NE-15

- 6 / 10 / 15 ft Combo KVM cable
- Support PS/2 or USB server

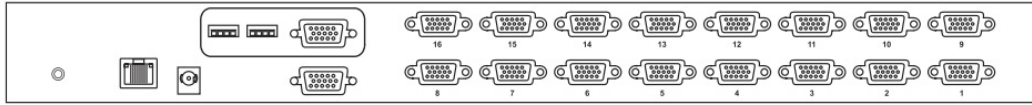
Remote & Local console connection



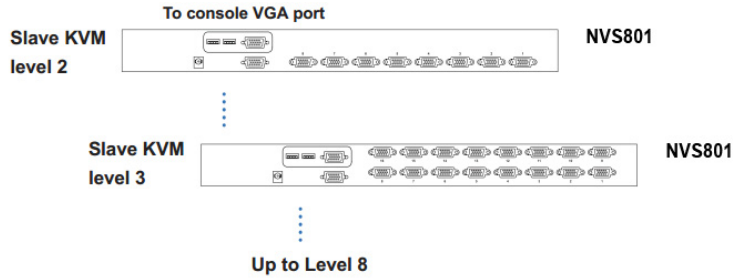
KVM Cascade

- Cascade up to 8 levels, 128 servers
- Cascading multiple KVM with CBC-6 cascade cable

Master KVM



Cascade



Cascaded KVMs from level 2 to 8 must be the models of NVS801 / NVS1601.



When multiple combo DB-15 KVMs cascade together, the master KVM at level 1 will take all control of other slave KVM switches (e.g. level 2 to 8).



CBC-6

- 6ft Combo KVM cascade cable