



Standalone KVM switch combo DB-15, 8 or 16 port KVM with Remote access up to 150 meters and 2 x USB 2.0 port sharing USB peripheral
Model: NVCE800H
NVCE1600H

FEATURES:

USB Hub DB-15 Two Console KVM Benefits

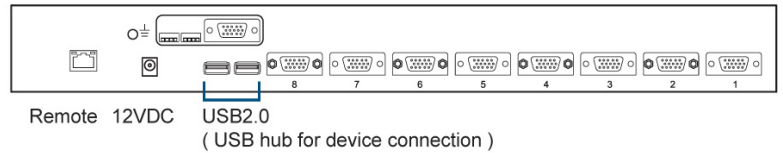
- VGA-USB DB-15 KVM with either 8 or 16 ports in 1U
- Remote access up to 150 meters
- 2 x USB 2.0 port sharing USB peripheral for computers
- Mix USB & SUN with Multi-Platform switch capability
- Support resolution up to 1920 x 1080
- SUN 1152 x 900 resolution compatible
- Cost efficient remote server management between user & equipment rooms
- Hot pluggable, no software or drivers required
- Easy & quick installation

Switch Features & Options

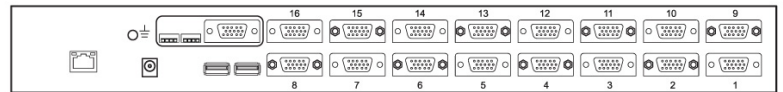
- Multi lingual on screen display menu
- Advanced user profiles and configurable OSD hot key combinations
- DC power options : 12V / 24V / 48V / 110 ~ 125V

Local Console

NVCE800H



NVCE1600H

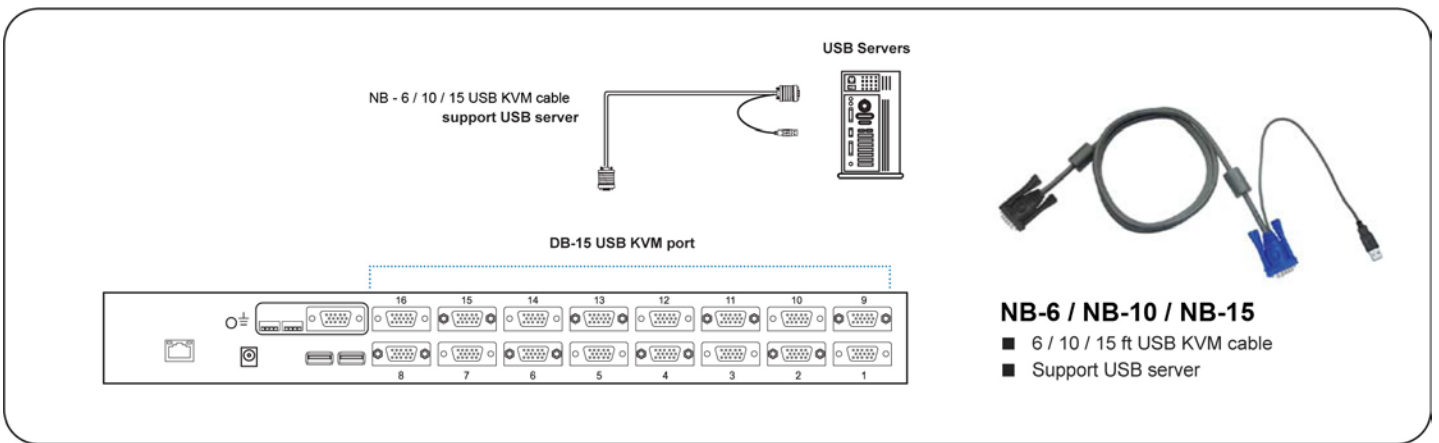


SPECIFICATIONS

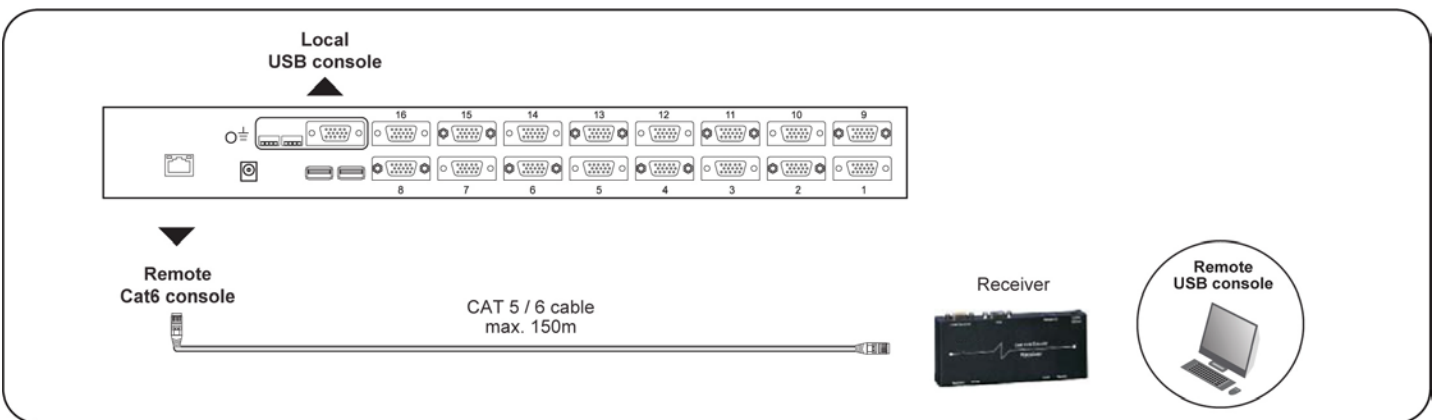
KVM Port	
Number of ports:	8 or 16
Connector:	DB-15 combo connector
Connectivity:	Combo 2-in-1 VGA + USB KVM cable, 6, 10 or 15 feet
Local Console	
Graphic connector:	1 x DB-15
Resolution:	Up to 1920x1200
Input device:	2 x USB type A for keyboard & mouse
USB hub:	2 x USB type A for sharing other peripheral devices among the computers
Remote Console	
Connector:	1 x DB 15-pin, VGA
Resolution:	Up to 1600 x 1200
Input device:	2 x USB type A for keyboard & mouse
Remote I/O:	RJ45 via Cat5 / Cat5e / Cat6 cable up to 150m
Compensation:	Auto adjust for cable length
Compatibility	
Multi-platform:	Mix PCs, SUN and Mac G3 / G4 Mac / iMac
Support:	Windows 7 / Vista / 2003 / XP, Linux, Unix

Power	
Input:	Auto sensing 100 to 240VAC, 50 / 60 Hz
Option DC:	12V / 24V / 48V / 110 ~ 125V DC input
Consumption:	Max. 12 Watt, Standby 5 Watt
Regulatory:	
Safety:	FCC & CE certified
Environment:	RoHS2 & REACH compliant
Environmental	
Operating:	0 to 50°C
Storage:	-5 to 60°C
Relative humidity:	90%, non-condensing
Shock:	50G peak acceleration (11ms, half-sine wave)
Vibration:	58-100Hz/0.98G (11ms/ cycle)
Product Information	
Dimension (W x D x H):	443 x 171 x 44 mm / 17.4 x 6.7 x 1.73 inch
Net weight:	3 kg / 6.5 lb
Packing Information	
Dimension (W x D x H):	500 x 400 x 90 mm / 19.7 x 15.7 x 3.5 inch
Gross weight:	5 kg / 11 lb

KVM port connection:



Remote & Local console connection:



Built-in USB Hub Usage & Connection:

