



## Combo CAT6 IP KVM

Model: NVCIP800

NVCIP1600

NVCIP3200



### Combo Cat6 IP KVM Benefits

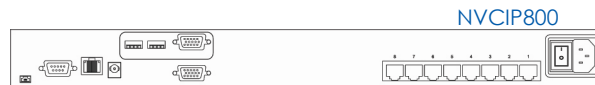
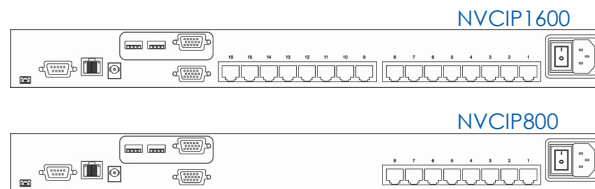
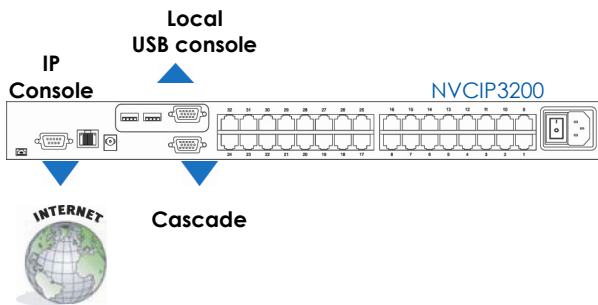
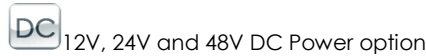
- Combo Cat6 KVM with either 8, 16 or 32 ports in 1U
- Up to 40 meters between your servers & KVM ports
- IP remote access across the world wide web
- Cascade switches up to 8 levels & Mix switches between Cat6 & Combo DB-15 KVM
- Support DVI-USB, VGA-USB & VGA-PS/2 server interface
- Mix PS/2, USB & SUN with Multi-Platform switch capability

### Designed for:



### Switch Features & Options

- Multi lingual on screen display menu
- Advanced user profiles and configurable OSD hot key combinations
- Dual power with failover



### Technical Specification

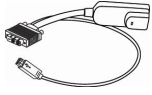
- **KVM Port :** 32 / 16 / 8 x RJ-15 connector
- **KVM Dongle :** DVI-D / VGA connector dongle up to 40 meters (132 feet) Cat6 / Cat5 cable
- **Console :**
  - Local :** 1 x DB-15 VGA (up to 1600 x 1200), 2 x USB for KB & MS
  - IP Access :** 1 x RJ45 Ethernet, 1 x DB-9 serial & 1 x USB port
  - IP Security :** SSL v3, RSA, AES, CSR, http & https internet access, 15-user login ( 1 x active user )

- **Expansion :** Support mixed Combo Cat6 or Combo DB-15 KVM, up to 256 servers
- **Compatibility :** Mix PCs, SUNs, MACs, IBMs, HPs, DELLs server, Windows Vista / 2003 / XP / 2000, Linux, Netware, Unix
- **Power :** 100~240VAC, 50 / 60Hz 0.3A via IEC type cord (12V / 24V / 48V DC input option)
- **Regulatory Approval :** FCC, CE
- **Environmental**
  - Operating / Storage :** 0 to 50°C / -5 to 60°C
  - Relative humidity :** 90%, non-condensing
  - Shock :** 50G peak acceleration (11 ms, half-sine wave)
  - Vibration :** 58~100Hz / 0.98G (11 ms/ cycle)

## Accessories

### IF\_DDVI

DVI-USB dongle



### IF\_DUSB

VGA-USB dongle



### IF\_DPS2

VGA-PS/2 dongle



### CBC-6

6ft Combo KVM cascade cable



### NU-3 NU-10 NU-6 NU-15 NU-33

Cat6 cable - 3, 6, 10, 15 & 33 ft



## Dimensions

Model	Product Dimension ( W x D x H )	Packing Dimension ( W x D x H )	Net Weight	Gross Weight
NVCIP800 NVCIP1600 NVCIP3200	446 x 180 x 44 mm 17.6 x 7.1 x 1.73 inch	510 x 400 x 77 mm 20.1 x 15.7 x 3 inch	4 kg / 9 lbs	7 kg / 15 lbs