

Model: NVP117/119 Series
(1U LCD Keyboard / KVM Drawer)



NVP117/119


LCD Drawer & KVM Benefits

- 1U 17" or 19" LCD console drawer
- 104-key keyboard with either touchpad or trackball
- Short depth design of 460mm and 500mm respectively
- New enhanced aesthetics with molded front handle
- Front USB port for device access (USB Hub KVM only)
- 2 post rack mounting available



Drawer Features & Options

- S-Video + Composite (BNC) or Audio input
- HDMI or DVI-D (either one)
- 48V, 24V or 12VDC power

LCD Panel		
Manufacturer		
Diagonal size	17" TFT	19" TFT
Max. Resolution	1280 x 1024	1280 x 1024
Brightness (cd/m2)	250	250
Backlight	CCFL	LED
Colors	16.7M	16.7M
Contrast Ratio (typ)	1000 : 1	1000 : 1
Viewing Angle (H/V)	160° x 160°	160° x 160°
Active area (mm)	338 x 270	376 x 301
MTBF (hrs)	50,000	30,000
Signal input	VGA	VGA
Casing Color	Black (RAL 9005)	
Weight (Single console)		
Net	12 kgs (26 lbs)	12.7 kgs (27.9 lbs)
Gross	16.6 kgs (36.5 lbs)	17.3 kgs (38.1 lbs)
Environmental		
Operating	0 to 50°C Degree	
Storage	-5 to 60°C Degree	
Relative humidity	5~90%, non-condensing	
Shock	10G acceleration (11 ms duration)	
Vibration	5-500Hz 1G RMS random vibration	
Regulatory	cUL, FCC, CE	

Power	
Input	Auto-sensing 100 to 240VAC, 50 / 60Hz
Consumption	Max. 48 Watt, Standby 5 Watt
Product Dimensions (Single console)	
NVP117	441.6 x 460 x 44 mm / 17.4 x 18.1 x 1.73 inch
NVP119	441.6 x 500 x 44 mm / 17.4 x 19.7 x 1.73 inch

Console Cable

NE-6
 6 feet Combo KVM cable (bundle)
 - VGA + USB or PS/2, server end
 - DB15 (VGA, USB KB & MS), console port

Dimensions

Model	Product Dimension (W x D x H)	Packing Dimension (W x D x H)	Net Weight	Gross Weight
NVP117	441.6 x 460 x 44 mm 17.4 x 18.1 x 1.73"	590 x 823 x 140 mm 23.2 x 32.4 x 5.5"	12 kg 26 lb	16.6 kg 36.5 lb
NVP119	441.6 x 500 x 44 mm 17.4 x 19.7 x 1.73"	590 x 823 x 140 mm 23.2 x 32.4 x 5.5"	12.7 kg 27.9 lb	17.3 kg 38.1 lb

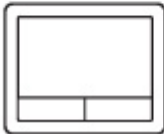
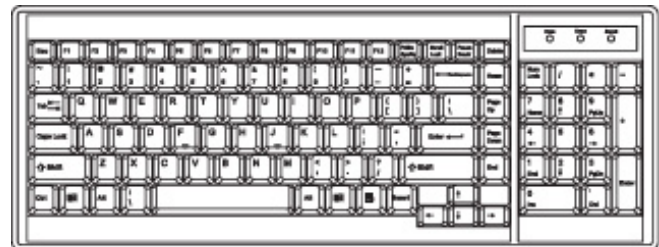
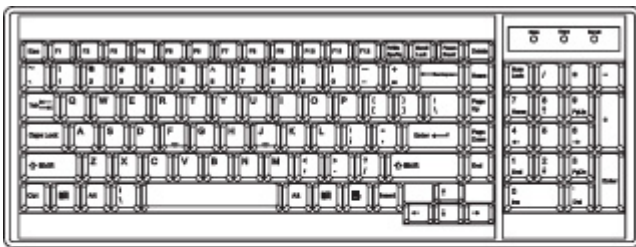
Keyboard Selection

Supporting layouts



e keyboard integrated with touchpad

b keyboard integrated with trackball



KVM Selection

(X) Stands for 17" or 19" LCD size

Matrix CAT6 KVM	Local	Remote		8-port	16-port	32-port
	1	1	1	-	NVP11X - MC1116	NVP11X - MC1132
	1	1	2	-	NVP11X - MC2116	NVP11X - MC2132
	1	1	0	-	NVP11X - MC0116	NVP11X - MC0132
	1	2	0	-	NVP11X - MC0216	NVP11X - MC0232
	1	3	0	-	NVP11X - MC0316	NVP11X - MC0332


Combo CAT6 KVM	Local	Remote		8-port	16-port	32-port
	1	0	1	NVP11X - CIP8	NVP11X - CIP16	NVP11X - CIP32
	1	1	0	NVP11X - CCE8	NVP11X - CCE16	NVP11X - CCE32
	1	0	0	NVP11X - C8	NVP11X - C16	NVP11X - C32

Cat6 KVM Dongle : IF-DUSB (VGA-USB) / IF-DPS2 (VGA-PS/2) / IF-DUSBD (DVI-USB)


Matrix DB-15 KVM	Local	Remote		8-port	16-port	32-port
	1	1	1	NVP11X - M118	NVP11X - M1116	-
	1	1	2	NVP11X - M218	NVP11X - M2116	-
	1	1	0	NVP11X - M018	NVP11X - M0116	-
	1	2	0	NVP11X - M028	NVP11X - M0216	-
	1	3	0	NVP11X - M038	NVP11X - M0316	-

KVM Selection


(X) Stands for 17" or 19" LCD size

Combo DB-15 KVM	Local	Remote		8-port	16-port	32-port
	1	0	1	NVIP11X - 82	NVIP11X - 162	-
	1	1	0	NVP11X - CE8	NVP11X - CE16	-
	1	0	0	NVP11X - S801	NVP11X - S1601	-

Combo DB-15 KVM Cable : NE-6 / 10 / 15 (6, 10 or 15 ft)

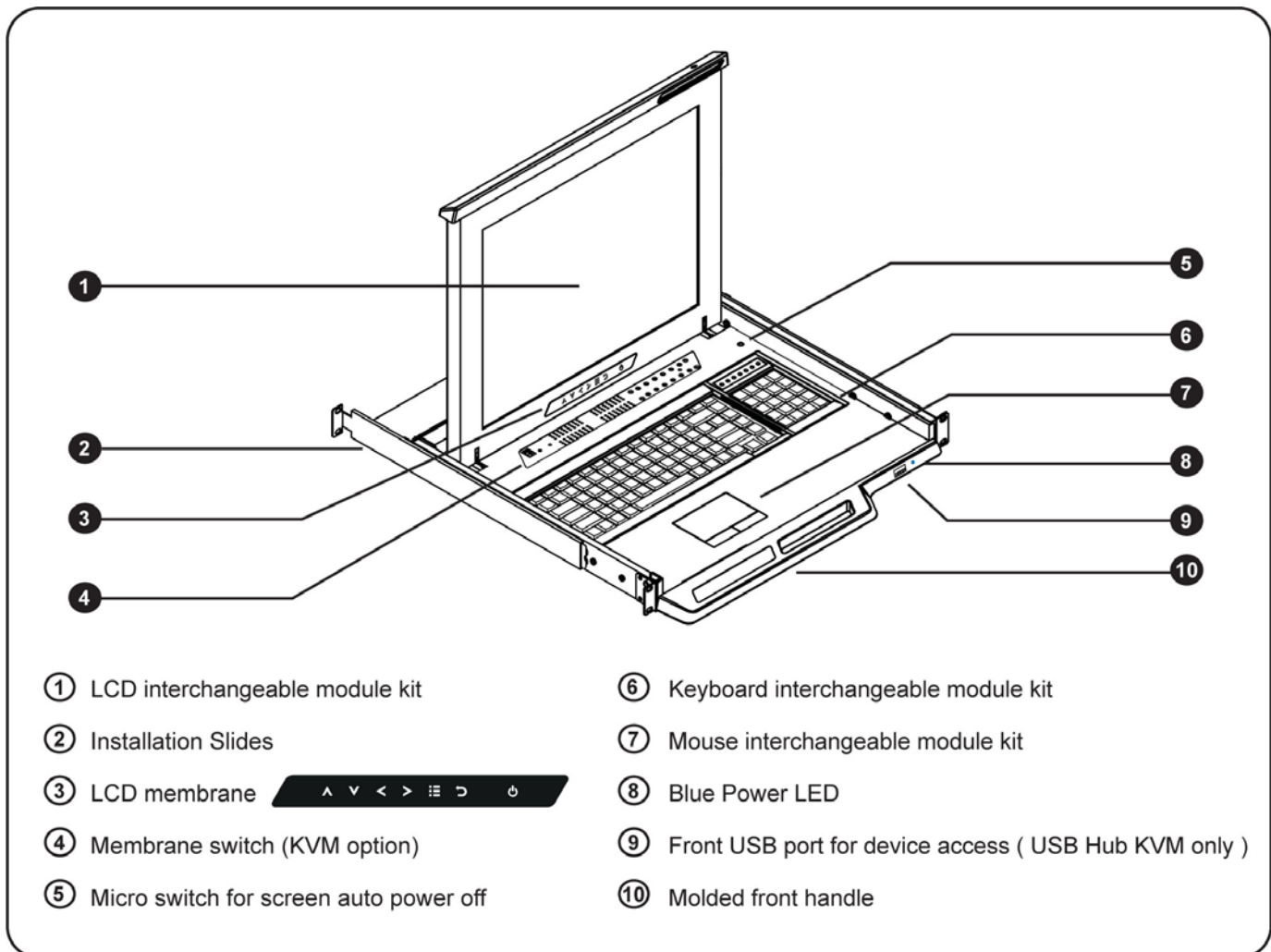
DVI-D KVM	Local	Remote		12-port
	1	0	0	NVP11X - D12

DVI-D KVM Cable : NC-6 / 15 (6 or 15 ft)

USB Hub DB-15 KVM	Local	Remote		8-port	16-port	32-port
	1	0	1	NVIP11X - 82H	NVIP11X - 162H	-
	1	1	0	NVP11X - CE8H	NVP11X - CE16H	-
	1	0	0	NVP11X - 801H	NVP11X - 1601H	-

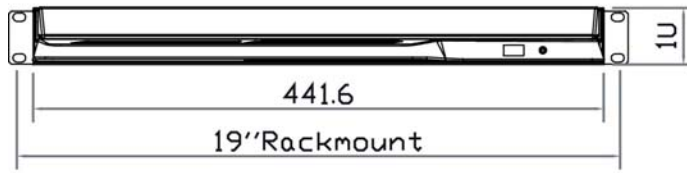
USB KVM Cable : NB-6 / 10 / 15 (6, 10 or 15 ft)

Structure Diagram

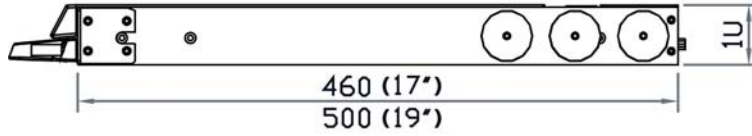


Dimension

Front View

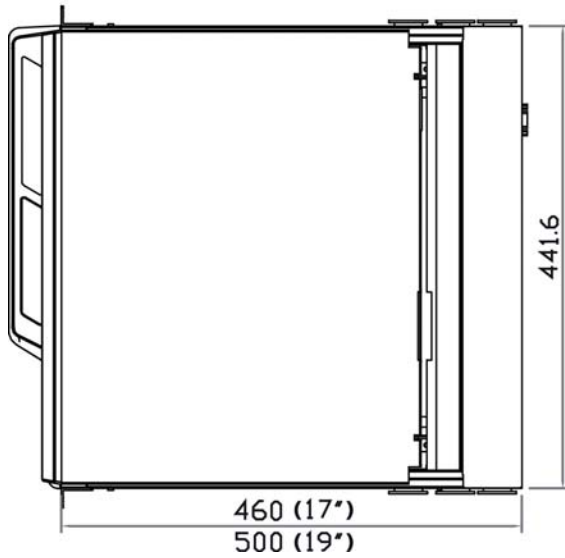


Side View



UNIT : mm
1mm = 0.03937 inch

Top View



Photos (Model: NVP117-801e)



Photos (Model: NVP119-S1601e)

