

1U Rackmount LCD 17" 1280 x 1024 LCD KVM over IP remote
 16-ports USB RGB KVM switch and 2 x USB 2.0 port sharing
 USB peripheral for computers with 104 key notepad
 keyboard w/ Touchpad (Ne), with NB-6 22.8" Deep

Model: **NVP117-IPB16e**



NETVIEW

LCD Drawer & KVM Benefits

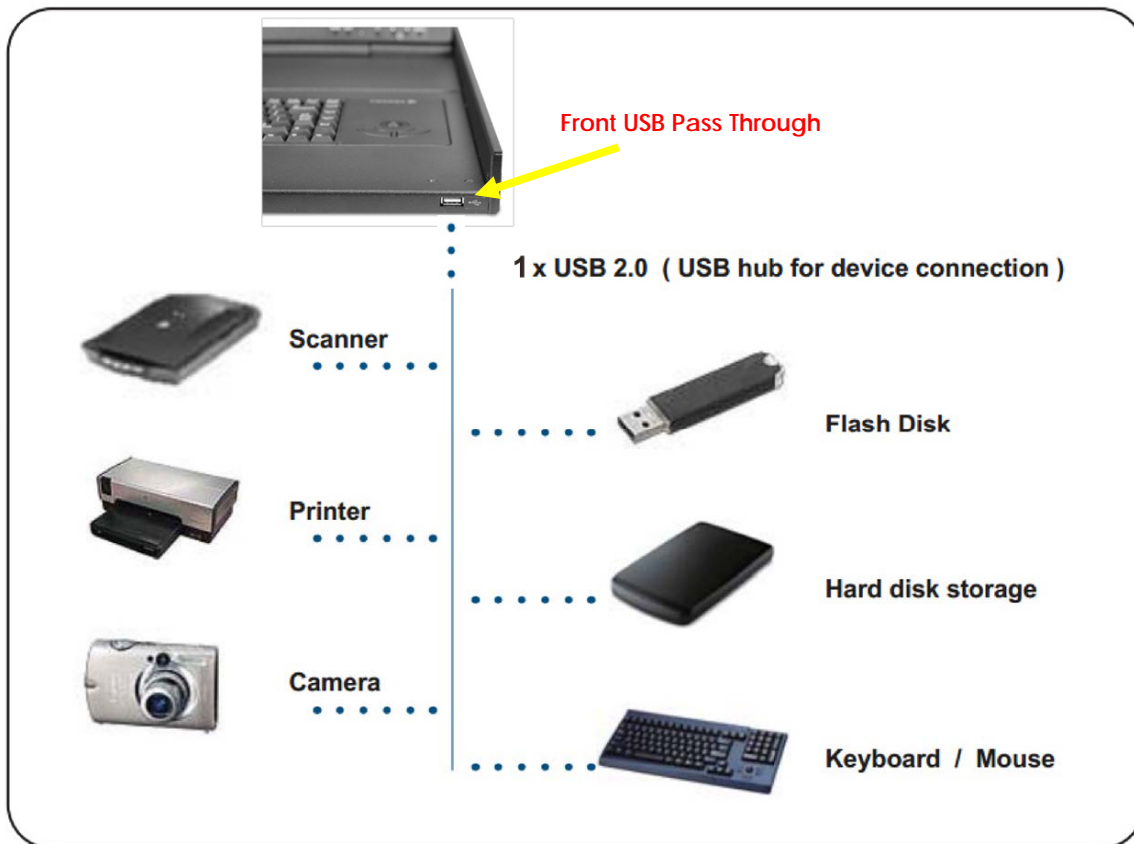
- 1U 17" or 19" LCD console drawer
- 104-key keyboard with either touchpad or trackball
- Short depth design of 460mm and 500mm respectively
- New enhanced aesthetics with molded front handle
- Front USB port for device access (USB Hub KVM only)
- 2 post rack mounting available

Drawer Features & Options


- S-Video + Composite (BNC) or Audio input
- HDMI or DVI-D (either one)
- 48V, 24V or 12VDC power



Built-in USB Hub Usage & Connection



Specification:

| | |
|--|--|
| LCD Panel | |
| Manufacturer |  |
| Diagonal size | 17.1" widescreen TFT |
| Max. Resolution | 1280 x 1024 |
| Brightness (cd/m2) | 250 |
| Backlight | CCFL |
| Colors | 16.7 M |
| Contrast Ratio (typ) | 1000 : 1 |
| Viewing Angle (H/V) | 160° x 160° |
| Active area (mm) | 338 x 270 |
| MTBF (hrs) | 50,000 |
| Signal input | VGA |
| Casing Color | Black (RAL 9005) |
| Weight (Single console) | |
| Net | 12 kgs (26 lbs) |
| Gross | 16.6 kgs (36.5 lbs) |
| Environmental | |
| Operating | 0 to 50°C Degree |
| Storage | -5 to 60°C Degree |
| Relative humidity | 5~90%, non-condensing |
| Shock | 10G acceleration (11 ms duration) |
| Vibration | 5~500Hz 1G RMS random vibration |
| Regulatory | |
| Power | cUL, FCC, CE |
| Input | Auto-sensing 100 to 240VAC, 50 / 60Hz |
| Consumption | Max. 48 Watt, Standby 5 Watt |
| Product Dimensions (Single console) | |
| Product | 441.6 x 460 x 44 mm / 17.4 x 18.1 x 1.73 inch |

Console Cable

NE-6

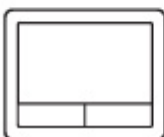
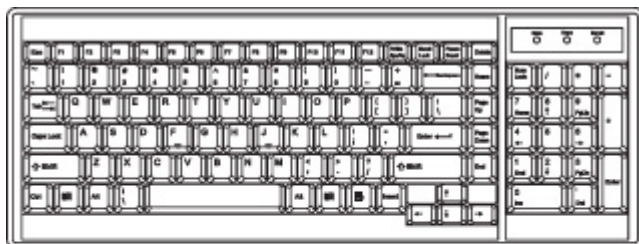
6 feet Combo KVM cable (bundle)

- VGA + USB or PS/2, server end

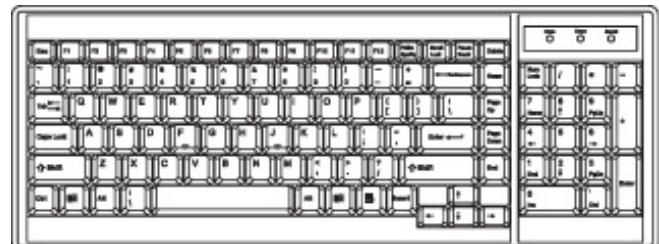
- DB15 (VGA, USB KB & MS), console port

Keyboard Selection Supporting layouts

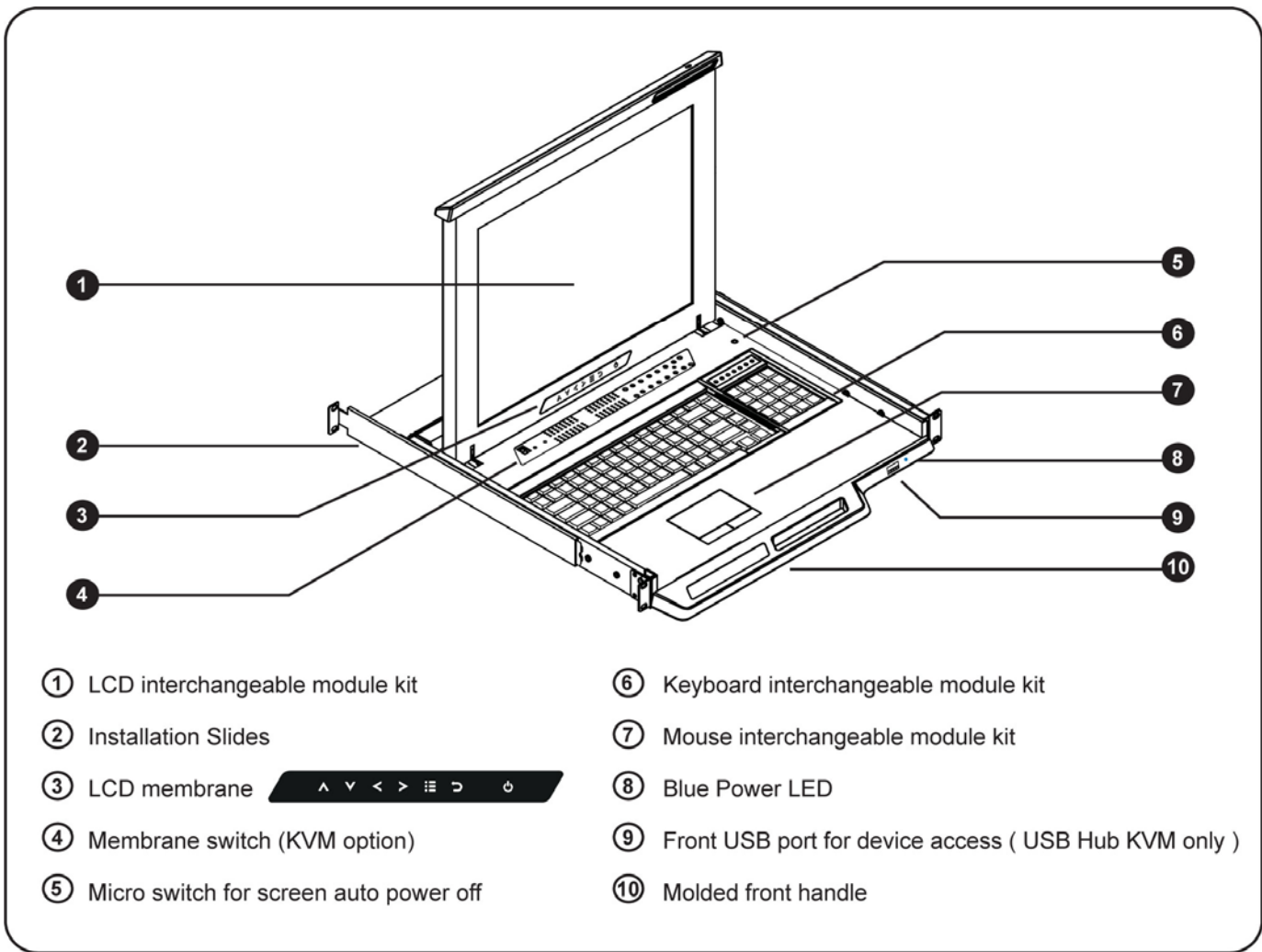
e keyboard integrated with touchpad



b keyboard integrated with trackball



Structure Diagram



Photos (Model: NVP117-801e)

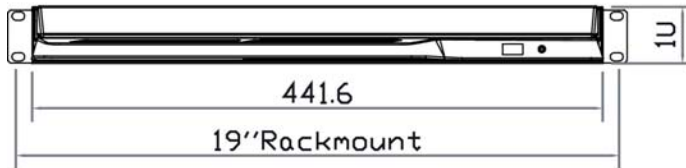


Photos (Model: NVP119-S1601e)

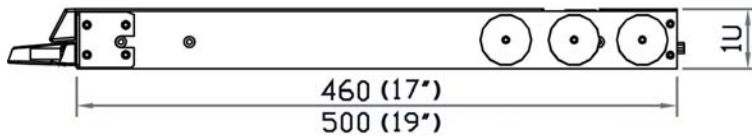


Dimension

Front View

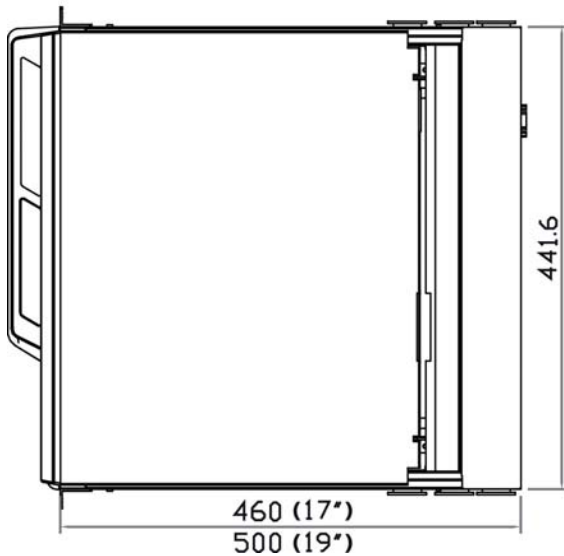


Side View



UNIT : mm
1mm = 0.03937 inch

Top View



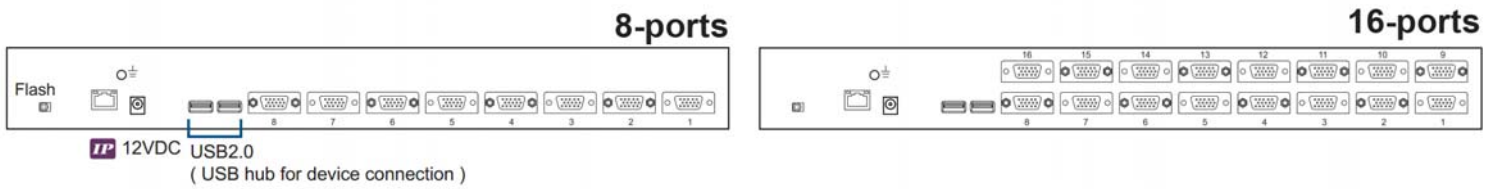
USB Hub DB-15 IP KVM Benefits

- VGA-USB DB-15 KVM with either 8 or 16 ports in 1U
- IP remote access across the world wide web
- 2 x USB 2.0 port sharing USB peripheral for computers
- Mix USB & SUN with Multi-Platform switch capability
- Support resolution up to 1920 x 1080
- SUN 1152 x 900 resolution compatible
- Cost efficient remote server management between national / global sites

Switch Features & Options

- Multi lingual on screen display menu
- Control hardware and software systems from a remote location without physically being at the server's location
- Advanced user profiles and configurable OSD hot key combinations
- 12V, 24V and 48V DC Power options

Note: No Daisy chain function on USB Hub KVM model



Real View

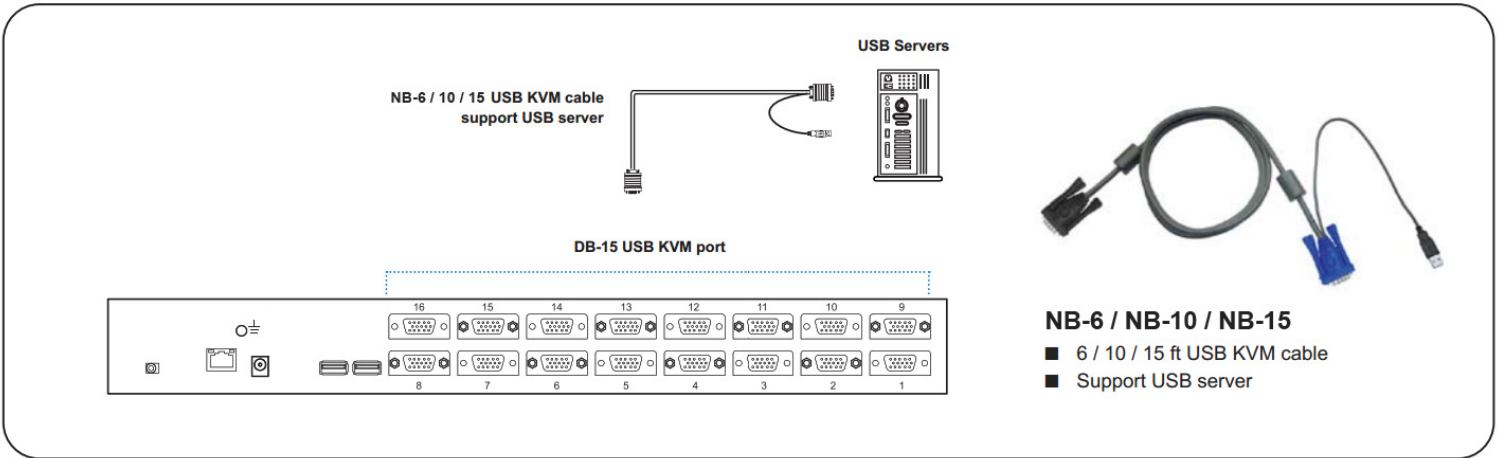


KVM Specification

| | |
|----------------------------|---|
| ■ KVM Port | |
| Number of ports: | 8 or 16 |
| Connector: | DB-15 combo connector |
| Connectivity: | Combo 2-in-1 VGA + USB KVM cable, 6, 10 or 15 feet |
| ■ Local Console | |
| Graphic Connector: | 1 x DB-15 |
| Resolution: | Up to 1920 x 1200 |
| Input device: | 2 x USB type A for keyboard & mouse |
| USB hub: | 2 x USB type A for sharing other peripheral devices among the computers |
| ■ IP Remote Console | |
| Connector: | RJ45 Ethernet |
| User management: | 15-user login, 1 x active user |
| Network protocol: | DHCP / BOOTP / DNS |
| Security: | SSL v3, RSA, AES, HTTP / HTTPS, CSR |
| Resolution: | Up to 1600 x 1200 |
| Browser: | IE, Firefox, Safari, Netscape |
| ■ Compatibility | |
| Multi-platform: | Mix PCs, SUN and Mac G3 / G4 Mac / iMac |
| Support: | Windows 7 / Vista / 2003 / XP, Linux, Unix |

| | |
|------------------------------|--|
| ■ Power | |
| Input: | Auto sensing 100 to 240VAC, 50 / 60 Hz |
| Option DC: | 12V / 24V / 48V DC input |
| Consumption: | Max. 12 Watt, Standby 5 Watt |
| ■ Regulatory : | |
| Safety: | FCC & CE certified |
| Environment: | RoHS2 & REACH compliant |
| ■ Environmental | |
| Operating: | 0 to 50°C |
| Storage: | -5 to 60°C |
| Relative humidity: | 90%, non-condensing |
| Shock: | 50G peak acceleration (11ms, half-sine wave) |
| Vibration: | 58-100Hz / 0.98G (11ms / cycle) |
| ■ Product Information | |
| Dimension (W x D x H): | 443 x 171 x 44 mm / 17.4 x 6.7 x 1.73 inch |
| Net weight: | 3 kg / 6.5 lb |
| ■ Packing Information | |
| Dimension (W x D x H): | 500 x 400 x 90 mm / 19.7 x 15.7 x 3.5 inch |
| Gross weight: | 5 kg / 11 lb |

KVM port connection



IP & Local console connection

