

1U 17" LCD Monitor USB KVM Keyboard drawer w/ 16-port switches, optional Touch Pad (Model: NVP117-S1601e) & Trackball (Model: NVP117-S1601b)



NVP117-S1601




## LCD Drawer & KVM Benefits

- 1U 17" LCD console drawer
- 104-key keyboard with either touchpad or trackball
- Short depth design of 580mm
- New enhanced aesthetics with molded front handle
- Front USB port for device access ( USB Hub KVM only )
- 2 post rack mounting available

## Drawer Features & Options

- S-Video + Composite ( BNC ) or Audio input
- HDMI or DVI-D ( either one )
- 48V, 24V or 12VDC power

LCD Panel	
Manufacturer	
Diagonal size	17" TFT
Max. Resolution	1280 x 1024
Brightness (cd/m2)	250
Backlight	CCFL
Colors	16.7M
Contrast Ratio (typ)	1000 : 1
Viewing Angle (H/V)	160° x 160°
Active area (mm)	338 x 270
MTBF (hrs)	50,000
Signal input	VGA
Casing Color	Black ( RAL 9005 )
Weight ( Single console )	
Net	12 kgs ( 26 lbs )
Gross	16.6 kgs ( 36.5 lbs )
Environmental	
Operating	0 to 50°C Degree
Storage	-5 to 60°C Degree
Relative humidity	5~90%, non-condensing
Shock	10G acceleration ( 11 ms duration )
Vibration	5-500Hz 1G RMS random vibration
Regulatory	cUL, FCC, CE

<b>Power</b>	
<b>Input</b>	Auto-sensing 100 to 240VAC, 50 / 60Hz
<b>Consumption</b>	Max. 48 Watt, Standby 5 Watt
<b>Product Dimensions ( Single console )</b>	
<b>NVP117</b>	441.6 x 580 x 44 mm / 17.4 x 22.8 x 1.73"

## Console Cable

- NE-6  
 6 feet Combo KVM cable ( bundle )  
 - VGA + USB or PS/2, server end  
 - DB15 ( VGA, USB KB & MS ), console port

## Dimensions

Model	Product Dimension ( W x D x H )	Packing Dimension ( W x D x H )	Net Weight	Gross Weight
NVP117	441.6 x 580 x 44 mm 17.4 x 22.8 x 1.73"	590 x 823 x 140 mm 23.2 x 32.4 x 5.5"	12 kg 26 lb	16.6 kg 36.5 lb

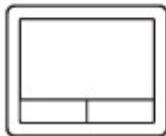
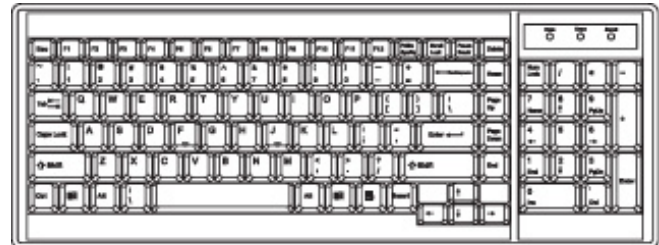
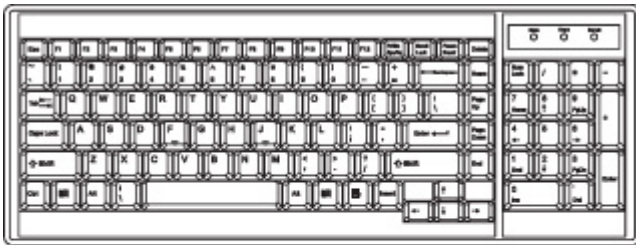
## Keyboard Selection

Supporting layouts



e keyboard integrated with touchpad

b keyboard integrated with trackball



## KVM Selection

(X) Stands for 17" or 19" LCD size

Matrix CAT6 KVM	Local	Remote		8-port	16-port	32-port
	1	1	1	-	NVP11X - <a href="#">MC1116</a>	NVP11X - <a href="#">MC1132</a>
	1	1	2	-	NVP11X - <a href="#">MC2116</a>	NVP11X - <a href="#">MC2132</a>
	1	1	0	-	NVP11X - <a href="#">MC0116</a>	NVP11X - <a href="#">MC0132</a>
	1	2	0	-	NVP11X - <a href="#">MC0216</a>	NVP11X - <a href="#">MC0232</a>
	1	3	0	-	NVP11X - <a href="#">MC0316</a>	NVP11X - <a href="#">MC0332</a>


Combo CAT6 KVM	Local	Remote		8-port	16-port	32-port
	1	0	1	NVP11X - CIP8	NVP11X - CIP16	NVP11X - CIP32
	1	1	0	NVP11X - CCE8	NVP11X - CCE16	NVP11X - CCE32
	1	0	0	NVP11X - C8	NVP11X - C16	NVP11X - C32

Cat6 KVM Dongle : IF-DUSB ( VGA-USB ) / IF-DPS2 ( VGA-PS/2 ) / IF-DUSBD ( DVI-USB )


Matrix DB-15 KVM	Local	Remote		8-port	16-port	32-port
	1	1	1	NVP11X - <a href="#">M118</a>	NVP11X - <a href="#">M1116</a>	-
	1	1	2	NVP11X - <a href="#">M218</a>	NVP11X - <a href="#">M2116</a>	-
	1	1	0	NVP11X - <a href="#">M018</a>	NVP11X - <a href="#">M0116</a>	-
	1	2	0	NVP11X - <a href="#">M028</a>	NVP11X - <a href="#">M0216</a>	-
	1	3	0	NVP11X - <a href="#">M038</a>	NVP11X - <a href="#">M0316</a>	-

## KVM Selection


(X) Stands for 17" or 19" LCD size

Combo DB-15 KVM	Local	Remote		8-port	16-port	32-port
	1	0	1	NVIP11X - 82	NVIP11X - 162	-
	1	1	0	NVP11X - CE8	NVP11X - CE16	-
	1	0	0	NVP11X - S801	NVP11X - S1601	-

Combo DB-15 KVM Cable : NE-6 / 10 / 15 ( 6, 10 or 15 ft )

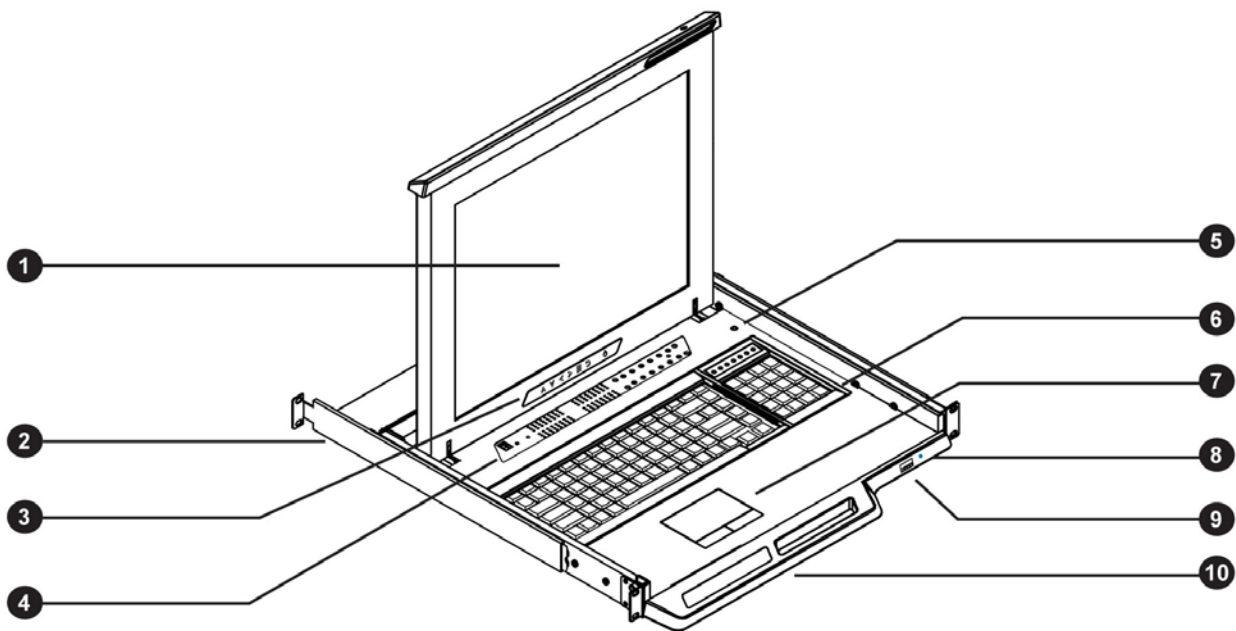
DVI-D KVM	Local	Remote		12-port
	1	0	0	NVP11X - D12


DVI-D KVM Cable : NC-6 / 15 ( 6 or 15 ft )

USB Hub DB-15 KVM	Local	Remote		8-port	16-port	32-port
	1	0	1	NVIP11X - 82H	NVIP11X - 162H	-
	1	1	0	NVP11X - CE8H	NVP11X - CE16H	-
	1	0	0	NVP11X - 801H	NVP11X - 1601H	-

USB KVM Cable : NB-6 / 10 / 15 ( 6, 10 or 15 ft )

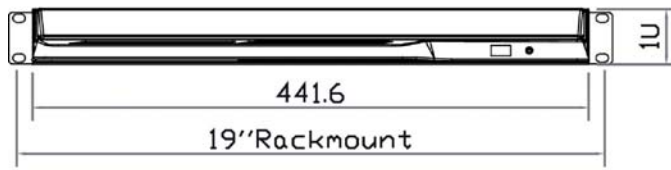
## Structure Diagram



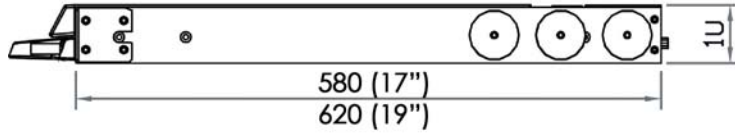
- |  |   |
|--|---|
| ① LCD interchangeable module kit   | ⑥ Keyboard interchangeable module kit                   |
| ② Installation Slides  | ⑦ Mouse interchangeable module kit                      |
| ③ LCD membrane  | ⑧ Blue Power LED  |
| ④ Membrane switch (KVM option)   | ⑨ Front USB port for device access ( USB Hub KVM only ) |
| ⑤ Micro switch for screen auto power off   | ⑩ Molded front handle                                   |

## Dimension

### Front View

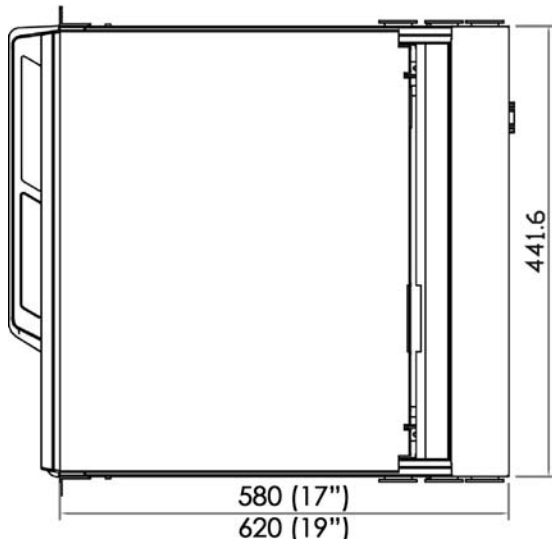


### Side View



UNIT : mm  
1mm = 0.03937 inch

### Top View



Photos (Model: NVP117-801e)



Photos (Model: NVP119-S1601e)

