

1U Rackmount LCD 19" 1280 x 1024 LCD 08-ports USB RGB KVM switch and 2 x USB 2.0 port sharing USB peripheral for computers with 104 key notepad keyboard w/ Trackball, with NB-6 24.5" Deep

Model: **NVP119-B8b**



**NETVIEW**

### LCD Drawer & KVM Benefits

- 1U 17" or 19" LCD console drawer
- 104-key keyboard with either touchpad or trackball
- Short depth design of 460mm and 500mm respectively
- New enhanced aesthetics with molded front handle
- Front USB port for device access ( USB Hub KVM only )
- 2 post rack mounting available

### Drawer Features & Options

- S-Video + Composite ( BNC ) or Audio input
- HDMI or DVI-D ( either one )
- 48V, 24V or 12VDC power



### Built-in USB Hub Usage & Connection



Front USB Pass Through

1 x USB 2.0 ( USB hub for device connection )



Scanner



Printer



Camera



Flash Disk




Hard disk storage



Keyboard / Mouse

**Specification:**

<b>LCD Panel</b>	
Manufacturer	
Diagonal size	19" widescreen TFT
Max. Resolution	1280 x 1024
Brightness (cd/m2)	250
Backlight	LED
Colors	16.7 M
Contrast Ratio (typ)	1000 : 1
Viewing Angle (H/V)	160° x 160°
Active area (mm)	376 x 301
MTBF (hrs)	30,000
Signal input	VGA
Casing Color	Black ( RAL 9005 )
<b>Weight ( Single console )</b>	
Net	12.7 kgs ( 27.9 lbs )
Gross	17.3 kgs ( 38.1 lbs )
<b>Environmental</b>	
Operating	0 to 50°C Degree
Storage	-5 to 60°C Degree
Relative humidity	5~90%, non-condensing
Shock	10G acceleration ( 11 ms duration )
Vibration	5~500Hz 1G RMS random vibration
<b>Regulatory</b>	
cUL, FCC, CE	
<b>Power</b>	
Input	Auto-sensing 100 to 240VAC, 50 / 60Hz
Consumption	Max. 48 Watt, Standby 5 Watt
<b>Product Dimensions ( Single console )</b>	
Product	441.6 x 500 x 44 mm / 17.4 x 19.7 x 1.73 inch

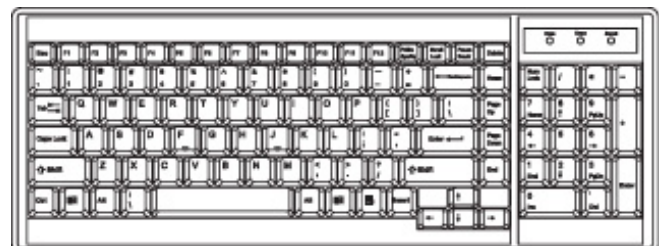
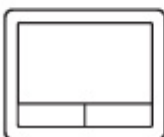
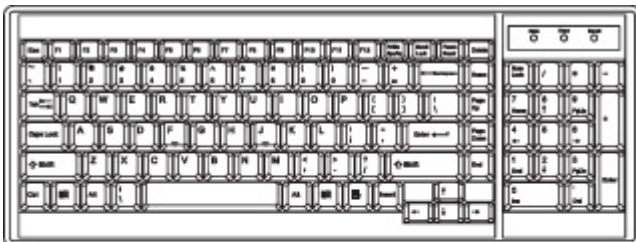
**Console Cable**

NE-6  
 6 feet Combo KVM cable ( bundle )  
 - VGA + USB or PS/2, server end  
 - DB15 ( VGA, USB KB & MS ), console port

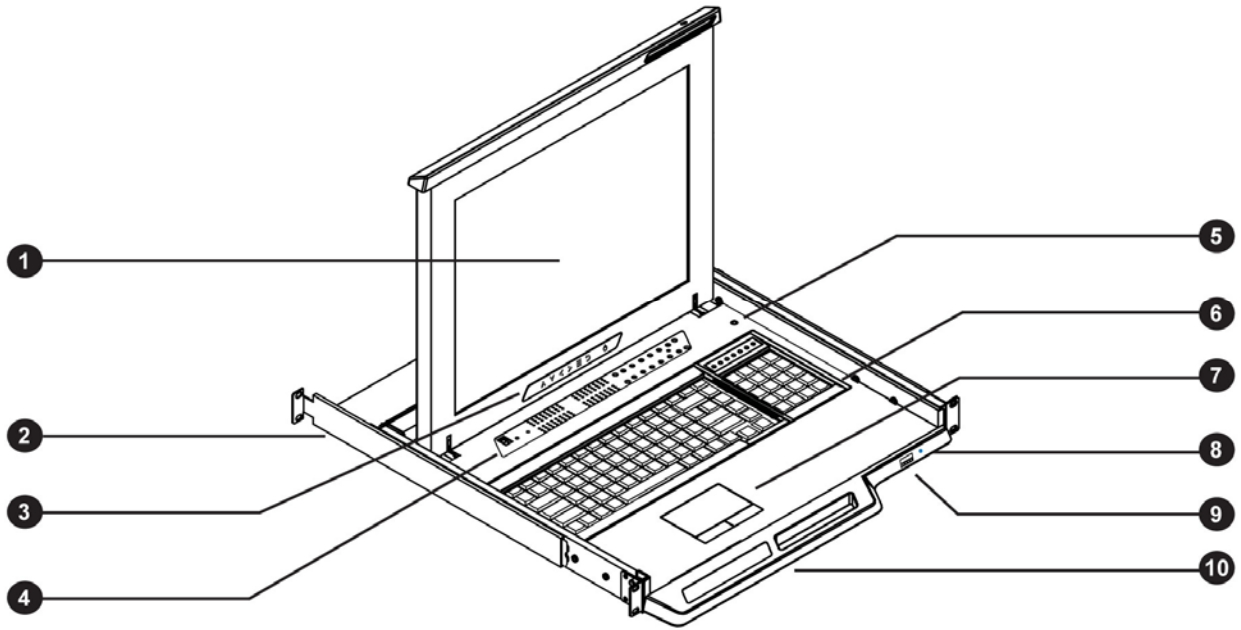
**Keyboard Selection** Supporting layouts  
 e keyboard integrated with touchpad




b keyboard integrated with trackball

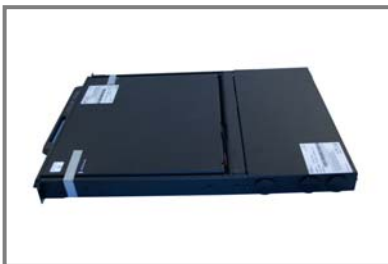


## Structure Diagram



- |   |   |
|---|---|
| ① LCD interchangeable module kit  | ⑥ Keyboard interchangeable module kit                   |
| ② Installation Slides   | ⑦ Mouse interchangeable module kit                      |
| ③ LCD membrane  | ⑧ Blue Power LED  |
| ④ Membrane switch (KVM option)  | ⑨ Front USB port for device access ( USB Hub KVM only ) |
| ⑤ Micro switch for screen auto power off  | ⑩ Molded front handle                                   |

## Photos (Model: NVP117-801e)

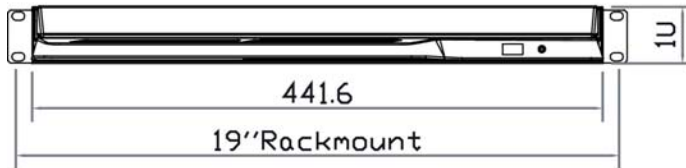


Photos (Model: NVP119-S1601e)

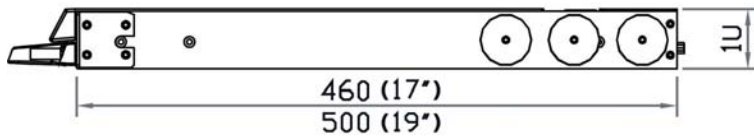


Dimension

Front View

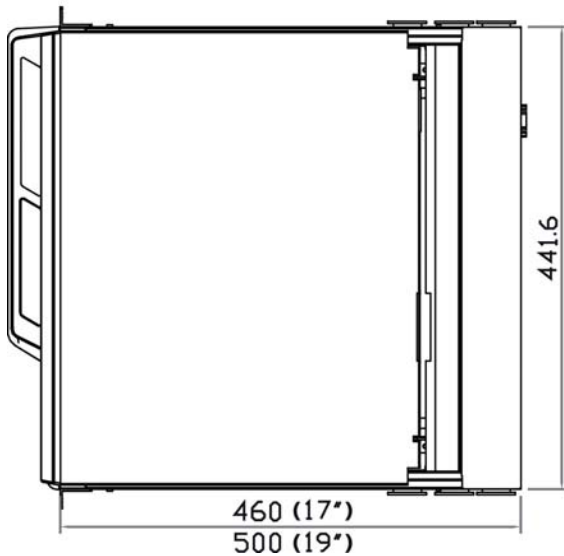


Side View



UNIT : mm  
1mm = 0.03937 inch

Top View





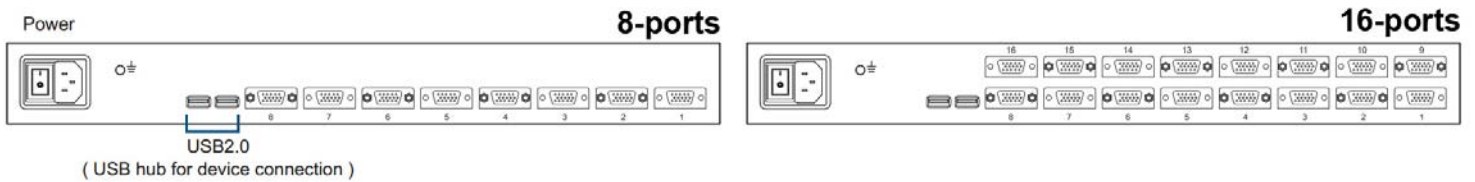
## USB Hub DB-15 KVM Benefits

- VGA-USB DB-15 KVM with either 8 or 16 ports in 1U
- 2 x USB 2.0 port sharing USB peripheral for computers
- Mix USB & SUN with Multi-Platform switch capability
- Support resolution up to 1920 x 1080
- SUN 1152 x 900 resolution compatible
- Hot pluggable, no software or drivers required
- Easy and quick installation

## Switch Features & Options

- Multi lingual on screen display menu
- Advanced user profiles and configurable OSD hot key combinations
- 12V, 24V and 48V DC Power options

**Note: No Daisy chain function on USB Hub KVM model**



## Real View

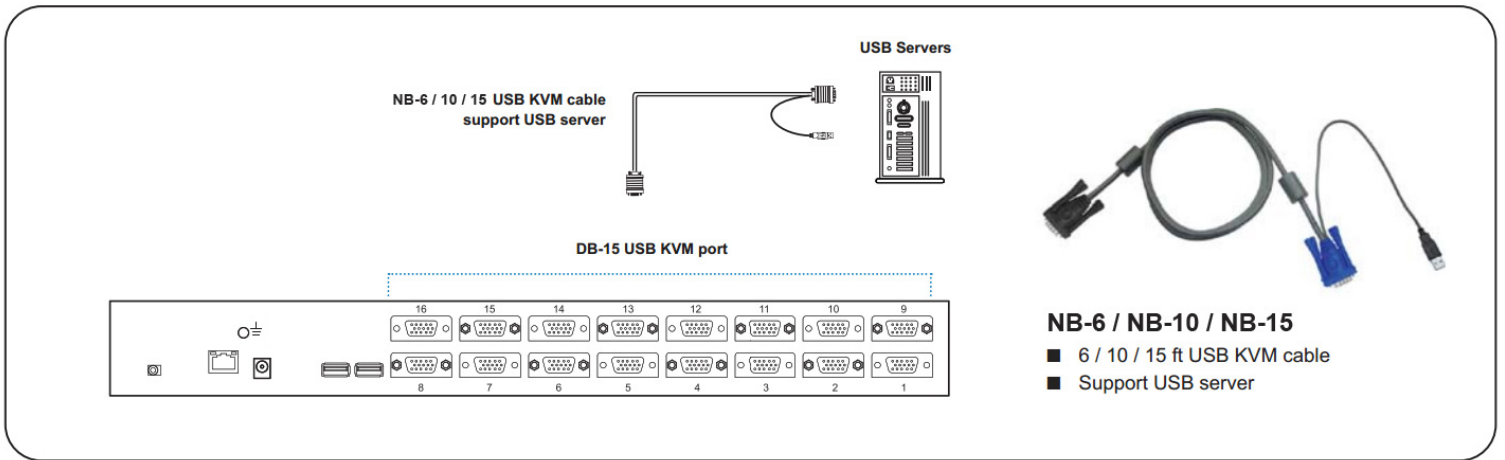


## KVM Specification

<b>■ KVM Port</b>	
Number of ports:	8 or 16
Connector:	DB-15 combo connector
Connectivity:	Combo 2-in-1 VGA + USB KVM cable, 6, 10 or 15 feet
<b>■ Local Console</b>	
Graphic Connector:	1 x DB-15
Resolution:	Up to 1920 x 1200
Input device:	2 x USB type A for keyboard & mouse
USB hub:	2 x USB type A for sharing other peripheral devices among the computers
<b>■ Management</b>	
Multilingual OSD:	English, France, German, Spanish, Italian, Russian, Simplified Chinese, Japanese
Hotkey Combination:	Scroll-lock, Cap-lock, Num-lock, Alt, Ctrl & Win
Security:	Password enable & Disable, up to 8 users profile for port access
PC Selection:	Front button, OSD menu & Hotkey
<b>■ Compatibility</b>	
Multi-platform:	Mix PCs, SUN and Mac G3 / G4 Mac / iMac
Support:	Windows 7 / Vista / 2003 / XP, Linux, Unix

<b>■ Power</b>	
Input:	Auto sensing 100 to 240VAC, 50 / 60 Hz
Option DC:	12V / 24V / 48V DC input
Consumption:	Max. 12 Watt, Standby 5 Watt
<b>■ Regulatory :</b>	
Safety:	FCC & CE certified
Environment:	RoHS2 & REACH compliant
<b>■ Environmental</b>	
Operating:	0 to 50°C
Storage:	-5 to 60°C
Relative humidity:	90%, non-condensing
Shock:	50G peak acceleration (11ms, half-sine wave)
Vibration:	58-100Hz / 0.98G (11ms / cycle)
<b>■ Product Information</b>	
Dimension (W x D x H):	443 x 171 x 44 mm / 17.4 x 6.7 x 1.73 inch
Net weight:	3 kg / 6.5 lb
<b>■ Packing Information</b>	
Dimension (W x D x H):	500 x 400 x 90 mm / 19.7 x 15.7 x 3.5 inch
Gross weight:	5 kg / 11 lb

## KVM port connection



## Front Panel - Port LED Indications

