

1U 19" LCD Monitor USB KVM Keyboard drawer w/ 8-port switches, optional Touch Pad (Model: NVP119-S801e) & Trackball (Model: NVP119-S801b)



NVP119-S801




LCD Drawer & KVM Benefits

- 1U 19" LCD console drawer
- 104-key keyboard with either touchpad or trackball
- Short depth design of 620mm
- New enhanced aesthetics with molded front handle
- Front USB port for device access (USB Hub KVM only)
- 2 post rack mounting available

Drawer Features & Options

- S-Video + Composite (BNC) or Audio input
- HDMI or DVI-D (either one)
- 48V, 24V or 12VDC power

LCD Panel	
Manufacturer	
Diagonal size	19" TFT
Max. Resolution	1280 x 1024
Brightness (cd/m2)	250
Backlight	LED
Colors	16.7M
Contrast Ratio (typ)	1000 : 1
Viewing Angle (H/V)	160° x 160°
Active area (mm)	376 x 301
MTBF (hrs)	30,000
Signal input	VGA
Casing Color	Black (RAL 9005)
Weight (Single console)	
Net	12.7 kgs (27.9 lbs)
Gross	17.3 kgs (38.1 lbs)
Environmental	
Operating	0 to 50°C Degree
Storage	-5 to 60°C Degree
Relative humidity	5~90%, non-condensing
Shock	10G acceleration (11 ms duration)
Vibration	5-500Hz 1G RMS random vibration
Regulatory	cUL, FCC, CE

Power	
Input	Auto-sensing 100 to 240VAC, 50 / 60Hz
Consumption	Max. 48 Watt, Standby 5 Watt
Product Dimensions (Single console)	
NVP119	441.6 x 620 x 44 mm / 17.4 x 24.4 x 1.73 inch

Console Cable

NE-6
 6 feet Combo KVM cable (bundle)
 - VGA + USB or PS/2, server end
 - DB15 (VGA, USB KB & MS), console port

Dimensions

Model	Product Dimension (W x D x H)	Packing Dimension (W x D x H)	Net Weight	Gross Weight
NVP119	441.6 x 620 x 44 mm 17.4 x 24.4 x 1.73 inch	590 x 823 x 140 mm 23.2 x 32.4 x 5.5"	12.7 kg 27.9 lb	17.3 kg 38.1 lb

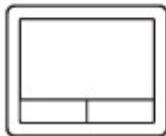
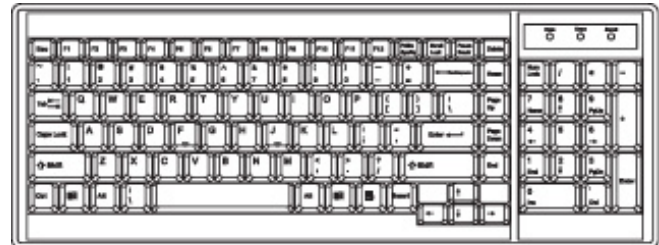
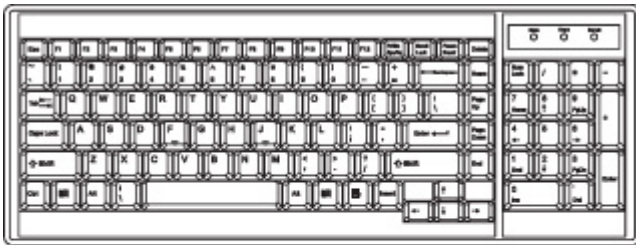
Keyboard Selection

Supporting layouts



e keyboard integrated with touchpad

b keyboard integrated with trackball



KVM Selection

(X) Stands for 17" or 19" LCD size

Matrix CAT6 KVM	Local	Remote		8-port	16-port	32-port
	1	1	1	-	NVP11X - MC1116	NVP11X - MC1132
	1	1	2	-	NVP11X - MC2116	NVP11X - MC2132
	1	1	0	-	NVP11X - MC0116	NVP11X - MC0132
	1	2	0	-	NVP11X - MC0216	NVP11X - MC0232
	1	3	0	-	NVP11X - MC0316	NVP11X - MC0332


Combo CAT6 KVM	Local	Remote		8-port	16-port	32-port
	1	0	1	NVP11X - CIP8	NVP11X - CIP16	NVP11X - CIP32
	1	1	0	NVP11X - CCE8	NVP11X - CCE16	NVP11X - CCE32
	1	0	0	NVP11X - C8	NVP11X - C16	NVP11X - C32

Cat6 KVM Dongle : IF-DUSB (VGA-USB) / IF-DPS2 (VGA-PS/2) / IF-DUSBD (DVI-USB)


Matrix DB-15 KVM	Local	Remote		8-port	16-port	32-port
	1	1	1	NVP11X - M118	NVP11X - M1116	-
	1	1	2	NVP11X - M218	NVP11X - M2116	-
	1	1	0	NVP11X - M018	NVP11X - M0116	-
	1	2	0	NVP11X - M028	NVP11X - M0216	-
	1	3	0	NVP11X - M038	NVP11X - M0316	-

KVM Selection


(X) Stands for 17" or 19" LCD size

Combo DB-15 KVM	Local	Remote		8-port	16-port	32-port
	1	0	1	NVIP11X - 82	NVIP11X - 162	-
	1	1	0	NVP11X - CE8	NVP11X - CE16	-
	1	0	0	NVP11X - S801	NVP11X - S1601	-

Combo DB-15 KVM Cable : NE-6 / 10 / 15 (6, 10 or 15 ft)

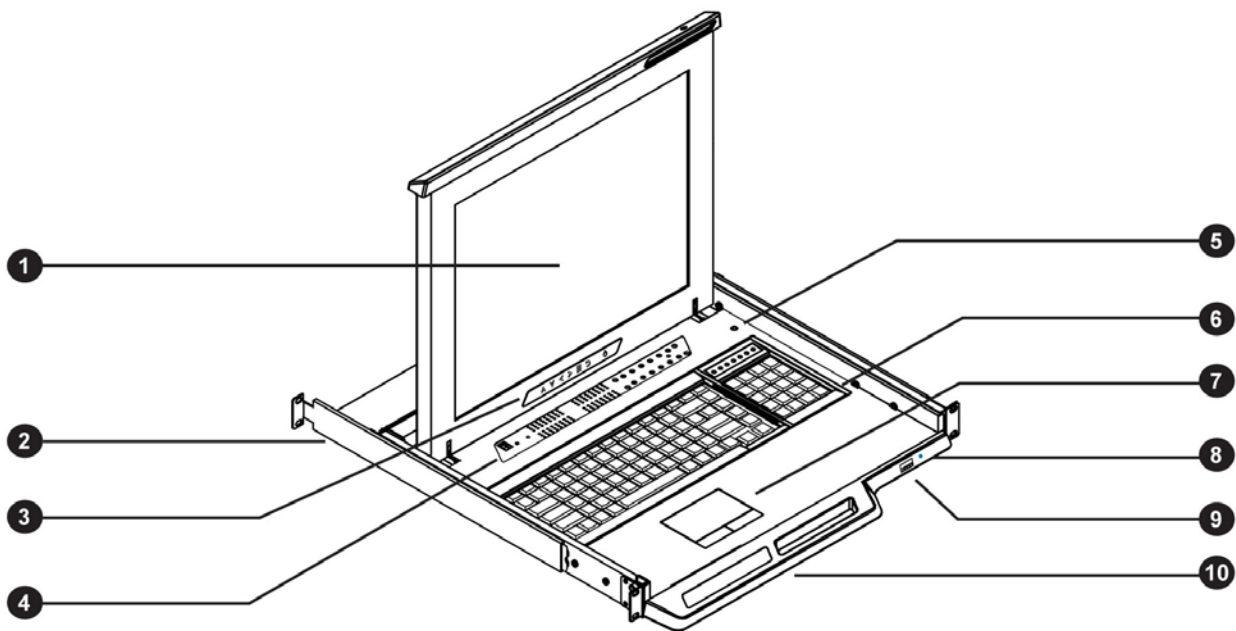
DVI-D KVM	Local	Remote		12-port
	1	0	0	NVP11X - D12


DVI-D KVM Cable : NC-6 / 15 (6 or 15 ft)

USB Hub DB-15 KVM	Local	Remote		8-port	16-port	32-port
	1	0	1	NVIP11X - 82H	NVIP11X - 162H	-
	1	1	0	NVP11X - CE8H	NVP11X - CE16H	-
	1	0	0	NVP11X - 801H	NVP11X - 1601H	-

USB KVM Cable : NB-6 / 10 / 15 (6, 10 or 15 ft)

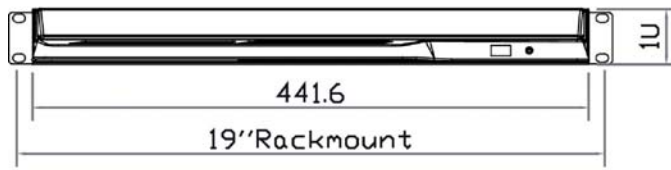
Structure Diagram



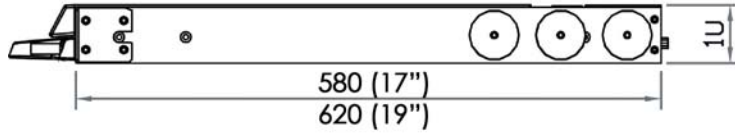
- | | |
|--|---|
| ① LCD interchangeable module kit | ⑥ Keyboard interchangeable module kit |
| ② Installation Slides | ⑦ Mouse interchangeable module kit |
| ③ LCD membrane  | ⑧ Blue Power LED |
| ④ Membrane switch (KVM option) | ⑨ Front USB port for device access (USB Hub KVM only) |
| ⑤ Micro switch for screen auto power off | ⑩ Molded front handle |

Dimension

Front View

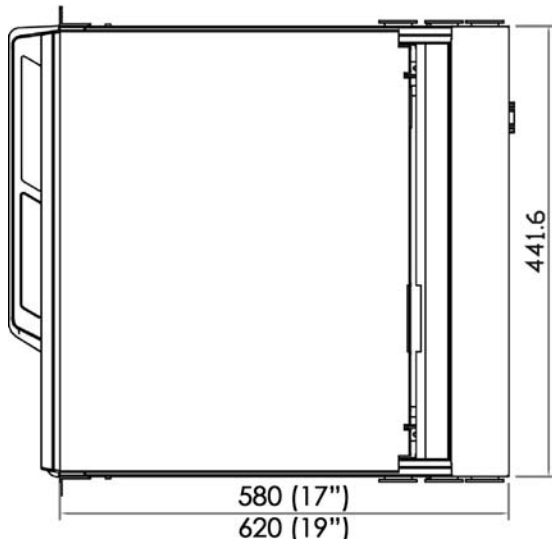


Side View



UNIT : mm
1mm = 0.03937 inch

Top View



Photos (Model: NVP117-801e)



Photos (Model: NVP119-S1601e)

