

1U Rackmount 19" TFT SAMSUNG LCD Monitor w/notebook keyboard & touch-pad mouse Drawer 1280x1024 resolution Integrated with DB-15, 8-port KVM USB Hub KVM includes 8pcs x 6ft long NB-6 USB VGA KVM cables. 2-point lock in the front handle, and the handle is 1/2" sticking out from the front mounting bracket only. Front CAC reader is integrated into the Front next to the keyboard

Model: NVP119H8-CAC-e



LCD DRAWER & KVM BENEFITS


- 1U 19" LCD console drawer
- 104-key keyboard with either touchpad or trackball
- Short depth design of 460mm and 500mm respectively
- New enhanced aesthetics with molded front handle
- Front USB port for device access (USB Hub KVM only)
- 2 post rack mounting available

DRAWER FEATURES & OPTIONS

- S-Video + Composite (BNC) or Audio input
- HDMI or DVI-D (either one)
- 48V, 24V or 12VDC power

CAC READER SPECS:

- DOD Military CAC USB Smart Card Reader for CAC Cards, Government ID, National ID, ActivClient, AKO, OWA, DKO, JKO, NKO, BOL, GKO, Marinet, AF Portal, Pure Edge Viewer, Approvelt, DCO, DTS, LPS, Disa Enterprise Email etc.
- Compatible with windows (32/64bit) XP/Vista/ 7/8/10, Mac OS X
- Support Card types: 5V, 3V and 1.8V Smart Cards, ISO 7816 Class A, B and C.
- Certifications Standards: ISO-7816 & EMV2 2000 Level 1, CE, FCC, VCCI, CCID, Microsoft WHQL ; And RECOMMENDED by militarycac.com

LCD Panel	
Manufacturer	
Diagonal size	19" TFT
Max. Resolution	1280 x 1024
Brightness (cd/m2)	250
Backlight	LED
Colors	16.7M
Contrast Ratio (typ)	1000 : 1
Viewing Angle (H/V)	160° x 160°
Active area (mm)	376 x 301
MTBF (hrs)	30,000
Signal input	VGA
Casing Color	Black (RAL 9005)
Weight (Single console)	
Net	12.7 kgs (27.9 lbs)
Gross	17.3 kgs (38.1 lbs)
Environmental	
Operating	0 to 50°C Degree
Storage	-5 to 60°C Degree
Relative humidity	5~90%, non-condensing
Shock	10G acceleration (11 ms duration)
Vibration	5~500Hz 1G RMS random vibration
Regulatory	cUL, FCC, CE

Power	
Input	Auto-sensing 100 to 240VAC, 50 / 60Hz
Consumption	Max. 48 Watt, Standby 5 Watt
Product Dimensions (Single console)	
NVP119H8-CAC-e	441.6 x 500 x 44 mm / 17.4 x 19.7 x 1.73 inch

*Specifications subject to change without notice, not responsible for typographical errors.

CONSOLE CABLE

NE-6

6 feet Combo KVM cable (bundle)

- VGA + USB or PS/2, server end

- DB15 (VGA, USB KB & MS), console port

DIMENSIONS

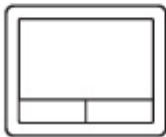
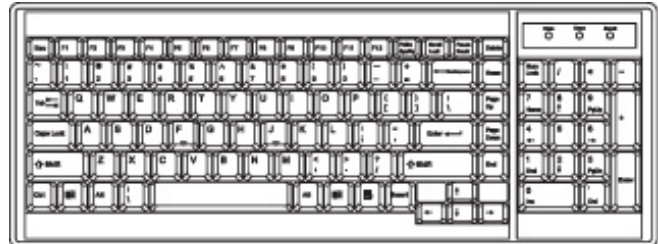
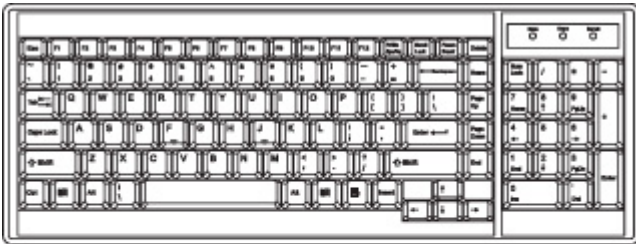
Model	Product Dimension (W x D x H)	Packing Dimension (W x D x H)	Net Weight	Gross Weight
NVP119-CAC-e	441.6 x 500 x 44 mm 17.4 x 19.7 x 1.73"	590 x 823 x 140 mm 23.2 x 32.4 x 5.5"	12.7 kg 27.9 lb	17.3 kg 38.1 lb

KEYBOARD SELECTION Supporting layouts

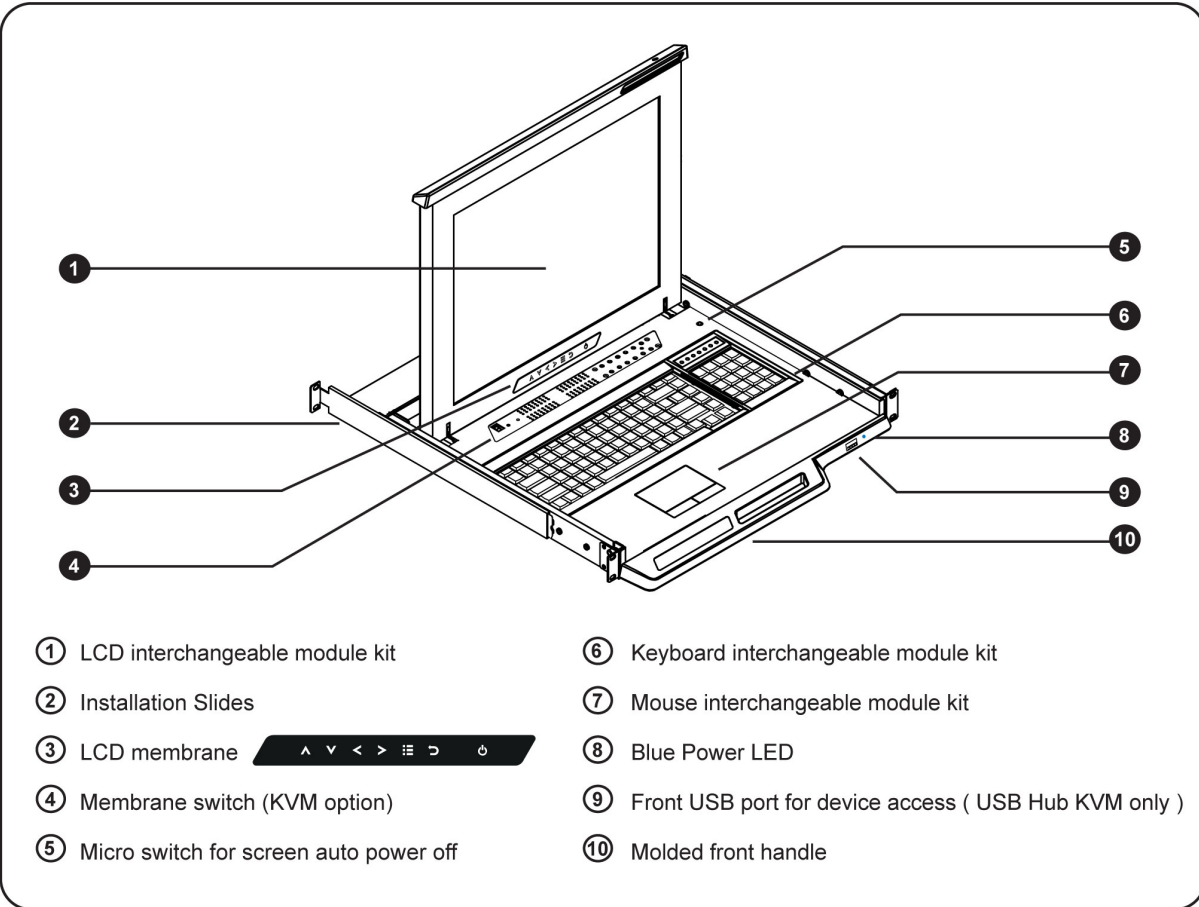


e keyboard integrated with touchpad

b keyboard integrated with trackball



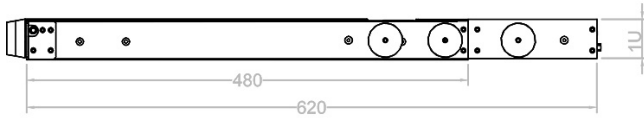
STRUCTURE DIAGRAM



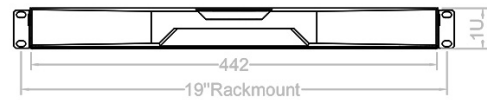
DIMENSION

This is subject to change without Notice. Final Drawings Will be Provided for Approval after Order.

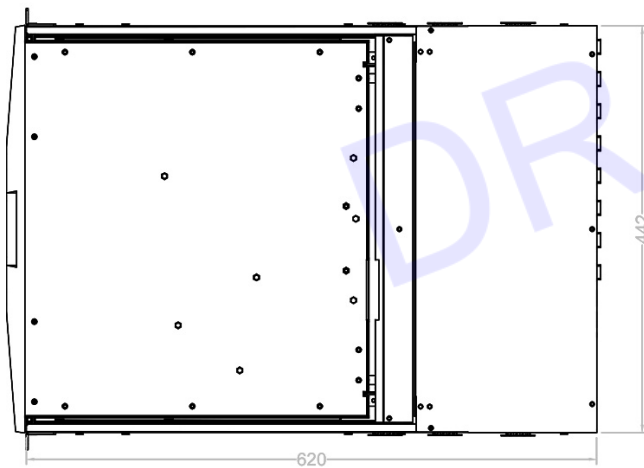
Left-side View



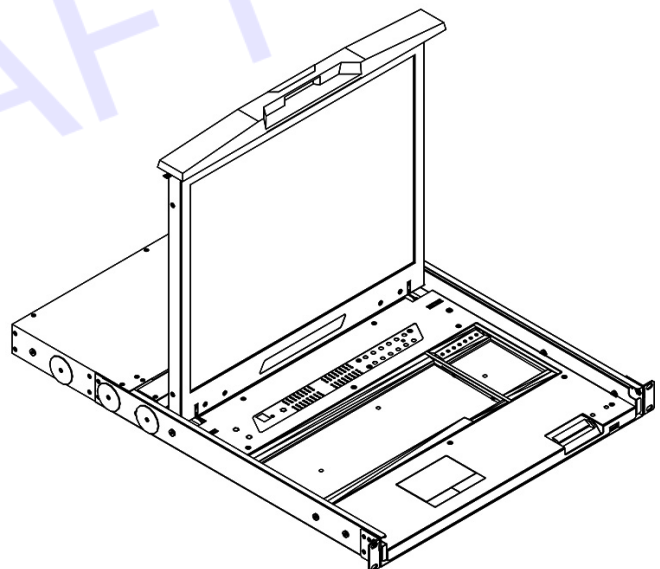
Front View



Rear View



Top View



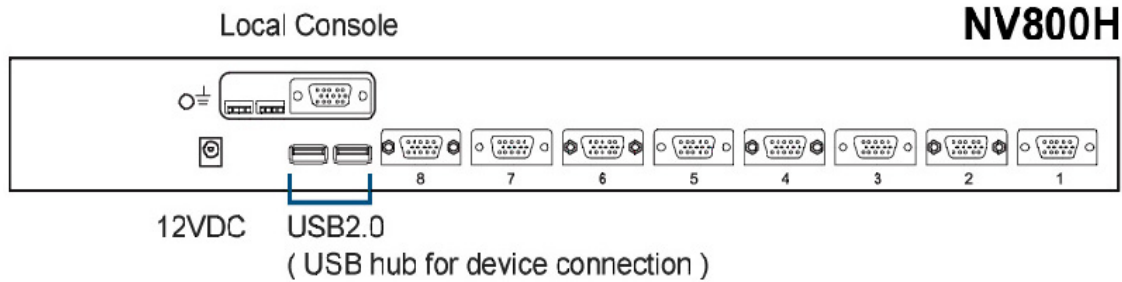
KVM SWITCH

USB Hub DB-15 KVM Benefits

- VGA-USB DB-15 KVM with 8 ports in 1U
- 2 x USB 2.0 port sharing USB peripheral for computers
- Mix USB & SUN with Multi-Platform switch capability
- Support resolution up to 1920 x 1080
- SUN 1152 x 900 resolution compatible
- Hot pluggable, no software or drivers required
- Easy & quick installation

Switch Features & Options

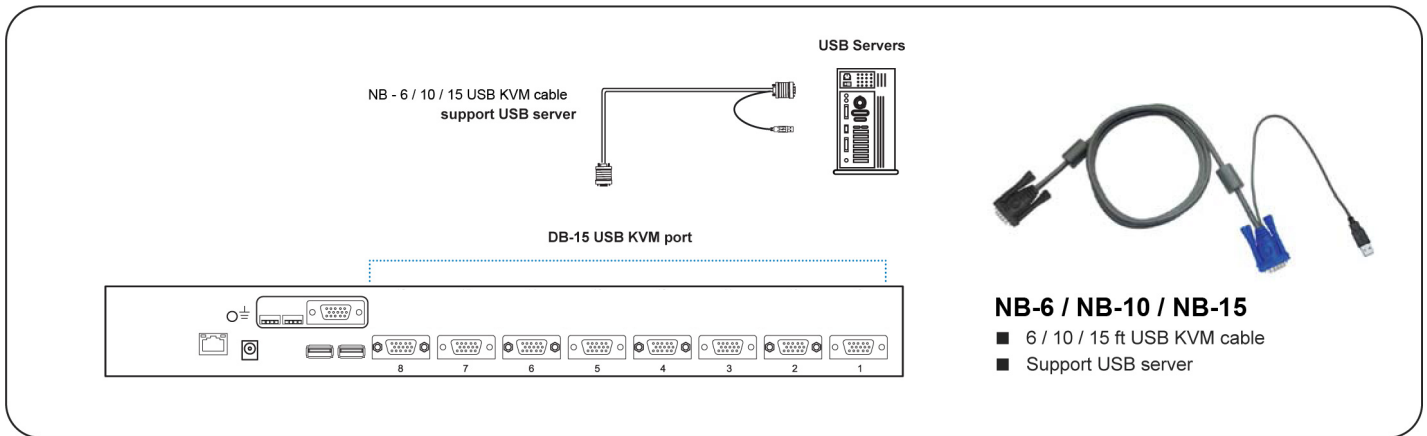
- Multi lingual on screen display menu
- Advanced user profiles and configurable OSD hot key combinations
- DC power options : 12V / 24V / 48V / 110 ~ 125V



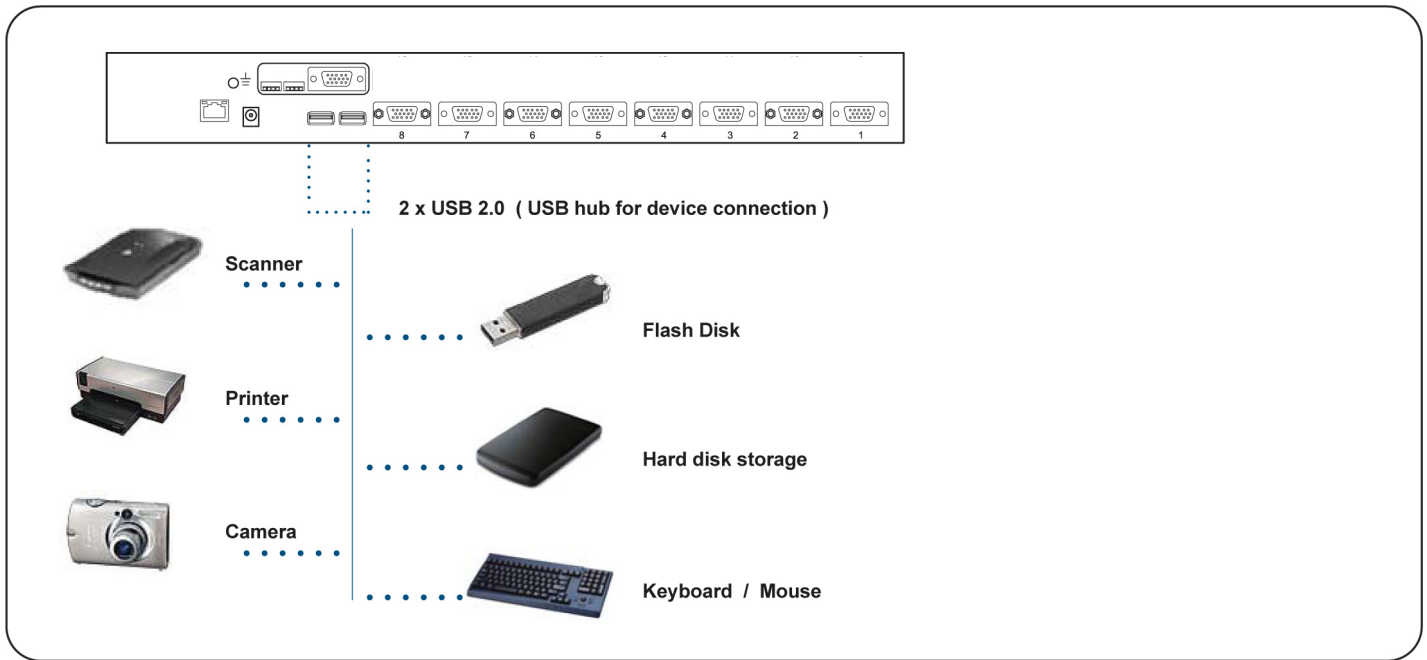
KVM Port	
Number of ports:	8
Connector:	DB-15 combo connector
Connectivity	Combo 2-in-1 VGA + USB KVM cable, 6, 10 or 15 feet
Local Console	
Graphic connector:	1 x DB-15
Resolution:	Up to 1920x1200
Input device:	2 x USB type A for keyboard & mouse
USB hub:	2 x USB type A for sharing other peripheral devices among the computers
Management	
Multilingual OSD:	English, France, German, Spanish, Italian, Russian, Simplified Chinese, Japanese
Hotkey combination:	Scroll-lock, Cap-lock, Num-lock, Alt, Ctrl & Win
Security:	Password enable & disable, up to 8 users profile for port access
PC Selection:	Front button, OSD menu & hotkey
Compatibility	
Multi-platform:	Mix PCs, SUN and Mac G3 / G4 Mac / iMac
Support:	Windows 7 / Vista / 2003 / XP, Linux, Unix

Power	
Input:	Auto sensing 100 to 240VAC, 50 / 60 Hz
Option DC:	12V / 24V / 48V / 110 ~ 125V DC input
Consumption:	Max. 12 Watt, Standby 5 Watt
Regulatory:	
Safety:	FCC & CE certified
Environment:	RoHS2 & REACH compliant
Environmental	
Operating:	0 to 50°C
Storage:	-5 to 60°C
Relative humidity:	90%, non-condensing
Shock:	50G peak acceleration (11ms, half-sine wave)
Vibration:	58-100Hz/0.98G (11ms/ cycle)
Product Information	
Dimension (W x D x H):	443 x 171 x 44 mm / 17.4 x 6.7 x 1.73 inch
Net weight:	3 kg / 6.5 lb
Packing Information	
Dimension (W x D x H):	500 x 400 x 90 mm / 19.7 x 15.7 x 3.5 inch
Gross weight:	5 kg / 11 lb

KVM port connection:



Built-in USB Hub Usage & Connection:



Front Panel - Port LED Indications:

