

1U Rackmount 17" TFT SAMSUNG LCD w/ "b" keyboard & trackball mouse (On Right hand side) (17.4"W x 1.75"H x 17.3"D).1280x1024 resolution, Composite Video in BNC connector and S-Video, Add the plastic cover (1.0mm thick) using double tape to secure on the LCD original sliver panel frame.



Model: NVP1417b-BNC

NVP1417b-BNC



LCD Drawer & KVM Benefits

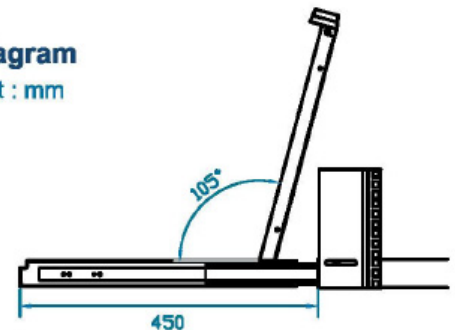
- Short depth design of 440mm (17.3") only
- Depth will suit a 600mm rack application

Drawer Features & Options

- 1U Rackmount drawer with 17" LCD
- Combo interface either PS/2 or USB input to the LCD drawer
- Multiple keyboard language selections with either touchpad or trackball
- Slide rails with fixed positions to prevent drawer movement when typing
- Enhanced aesthetics with new molded front panel and two point lock



Diagram
Unit : mm



Options



BNC + S-Video

BNC + S-Video



Monitor  Grade A 17" industrial TFT LCD panel

Dimensions

Model	Product Dimension (WxDxH)	Packing Dimension (WxDxH)	Net Weight	Gross Weight
NVP1417 Series	442 x 440 x 44 mm 17.4x17.3x1.73 inch	581 x 705x175 mm 22.9x26.3x6.9 inch	16 kg / 35 lbs	22 kg/ 48 lbs

Model Selection

Base Model	17" LCD Series
<ul style="list-style-type: none"> • Single port w/o KVM • Combo interface 	NVP1417

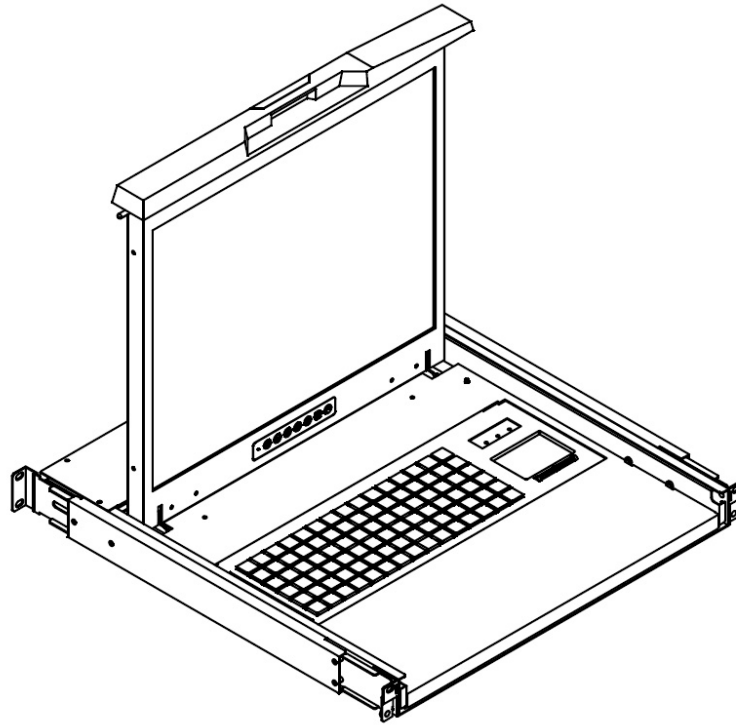


- b** Notebook type keyboard with trackball mouse

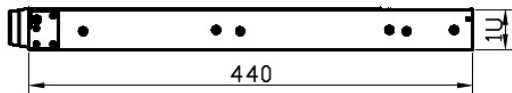
Photo Gallery



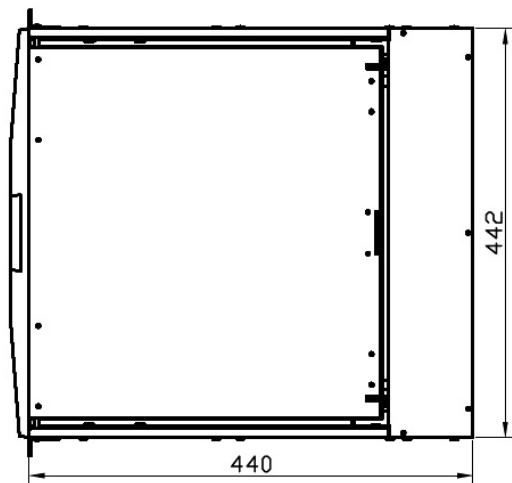
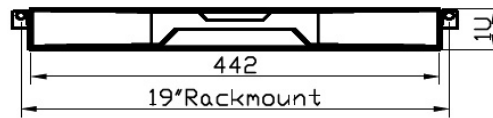
Mechanical Drawing



Left-side View



Front View



Top View

