

DB-15 KVM

NetView: 1U Rackmount 21" Wide 1920 x 1080 LCD KVM with 104 key notepad MAC keyboard w/ Trackball (b), Integrated with Matrix DB-15, 16 KVM Ports + 1 User Via CAT5 Extender + 2 Users Via KVM over IP. Over Depth is 30 Inch. Dongles sold separately

Model: NVPW1215M2116Mb

FEATURES:

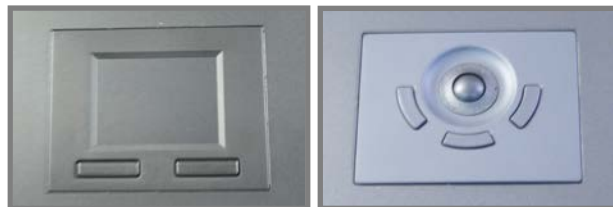
- 1U 21" widescreen LCD console drawer
- Support Full HD with 1080p resolution
- 104-key MAC keyboard with trackball
- New enhanced aesthetics with molded front handle

Drawer Features & Options

- 3G / HD / SD-SDI Broadcast-grade input (w/ speaker)
- HDMI (w/ speaker)
- DC power : 12V / 24V / 48V / 110 ~ 125V

SPECIFICATIONS:

| | |
|---------------------------------------|---|
| LCD Panel | |
| Diagonal size | 21.5" widescreen TFT |
| Max. Resolution | 1920 x 1080 |
| Brightness (cd/m2) | 250 |
| Backlight | LED |
| Colors | 16.7M |
| Contrast Ratio (typ) | 1000 : 1 |
| Viewing Angle (H/V) | 170° x 160° |
| Active area (mm) | 477 x 268 |
| MTBF (hrs) | 30,000 |
| Casing Color | Black (RAL 9005) |
| Weight (Single console | |
| Net | 14.7 kgs / 32.3 lbs |
| Gross | 18.9 kgs / 41.6 lbs |
| Environmental | |
| Operating | 0 to 55°C Degree |
| Storage | -20 to 60°C Degree |
| Relative humidity | 5-90%, non-condensing |
| Shock | 10G acceleration (11 ms duration) |
| Vibration | 5-500Hz 1G RMS random vibration |
| Regulatory | FCC & CE certified |
| Power | |
| Input | Auto-sensing 100 to 240VAC, 50 / 60Hz |
| Consumption | Max. 32 Watt, Standby 4 Watt |
| Product Dimensions (Single console) | |
| Product | 441.6 x 670 x 44 mm / 17.4 x 26.4 x 1.73 inch |
| Packing | 595 x 860 x 140 mm / 23.4 x 33.9 x 5.5 inch |



MAC Keyboard / Mouse Options

Me MAC keyboard integrated with touchpad



Mb MAC keyboard integrated with trackball



Supporting layouts

America



United States

How to Use "MAC" Keyboard

Keyboard Features



F1
Decrease display brightness



F9
Fast-forward



F2
Increase display brightness



F10
Mute sound



F3
Mission control
* Only works with OS X Lion
default Keyboard Shortcuts.



F11
Decrease volume



F4
Dashboard



F12
Increase volume



F7
Rewind



Eject disc



F8
Play / Pause



Command



- Hold the handle and slide out the drawer.



- Flip up the LCD to a suitable angle



- Operate the LCD console drawer.



Option - Right Side Open

DIMENSION

Front View



Rear View



Side View



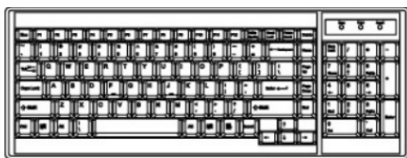
UNIT : mm
1mm = 0.03937 inch

Top View



STANDARD KEYBOARD

e keyboard integrated with touchpad



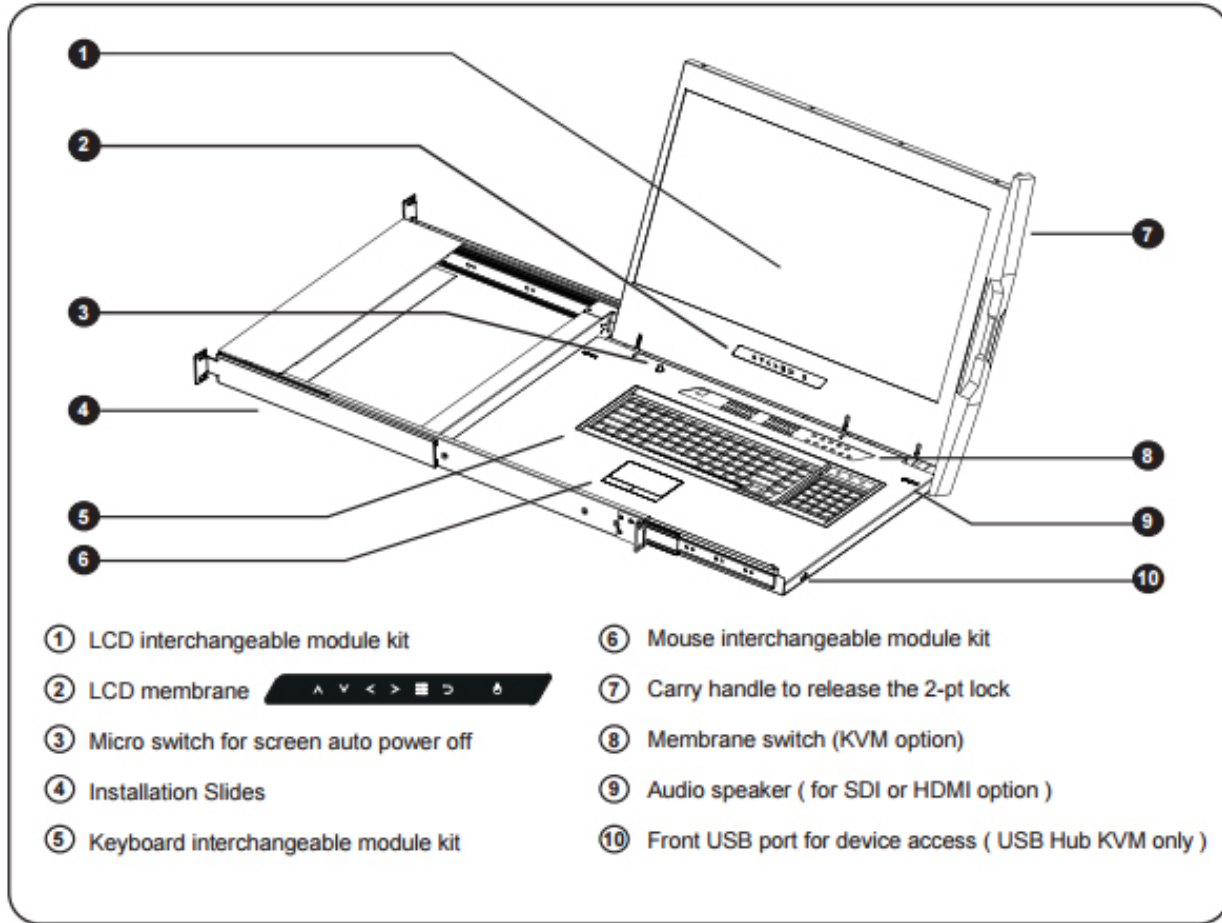
b keyboard integrated with trackball



Supporting layouts

| | | | | | |
|---------|----------------|---------|-------------|-------------|----------|
| America | | | | | |
| | United States | | | | |
| EMEA | | | | | |
| | United Kingdom | Germany | France | Spain | Norway |
| | | | | | |
| | Italy | Russia | Switzerland | Netherlands | Portugal |
| | | | | | |
| Asia | China | Japan | Korea | Arabia | Turkey |

STRUCTURE DIAGRAM



KVM PORT CONNECTION



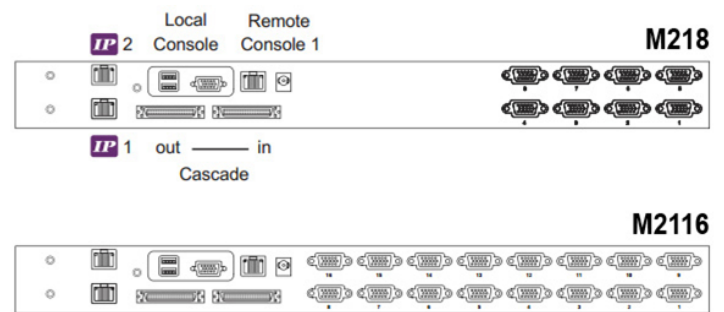
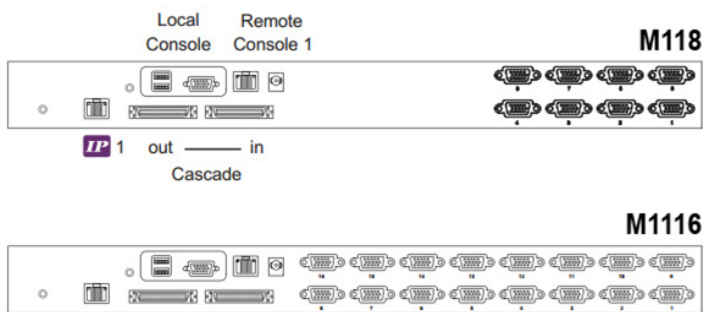
NE-6 / NE-10 / NE-15
 ■ 6 / 10 / 15 ft Combo KVM cable
 ■ Support PS/2 or USB server

Matrix DB-15 IP KVM Benefits

- Secure IP remote user access across the world wide web
- Efficient system management with simultaneous multi-user access
- Support resolution up to 1920 x 1080
- SUN 1152 x 900 resolution compatible
- Multi-platform servers shared by different consoles in cascade connection
- Mix PS/2, USB & SUN with Multi-Platform switch capability
- Extended Cat6 cord remote access up to 150 meters
- Provide a diversity of consoles to access servers independently & simultaneously

Switch Features & Options

- Mix legacy PS/2 servers with newer USB and SUN solutions
- Greater distances between your switch and servers allow enhanced data center rack layouts
- Multi lingual on screen display menu
- Advanced user profiles and configurable OSD hot key combinations



KVM SPECIFICATIONS

| | |
|------------------------------|---|
| ■ KVM Port | |
| Number of ports: | 8 or 16 |
| Connector: | DB-15 combo connector |
| Connectivity: | Combo 4-in-1 KVM cable up to 6, 10 & 15 feet |
| ■ Local Console | |
| Monitor port: | 1 x DB-15 VGA (Up to 1920 x 1080 /1920 x 1200) |
| Keyboard & mouse port: | 2 x USB type connector for keyboard & mouse |
| ■ CAT6 Remote Console | |
| Number of remote port: | 1 |
| Monitor port: | DB15-pin VGA (Up to 1600 x 1200) |
| Keyboard & mouse port: | 2 x USB type connector for keyboard & mouse |
| Remote I/O: | RJ45 via Cat5 / Cat5e / Cat6 cable up to 500 feet |
| ■ IP Remote Console | |
| Number of IP console: | 1 for M118 / M1116 2 for M218 / M2116 |
| User management: | 15-user login, 1 x active user |
| Browser: | Internet Explorer, Firefox, Safari |
| Security: | SSL v3, RSA, AES, HTTP / HTTPS, CSR |
| IP Access: | RJ45 Ethernet per IP console |
| ■ Expansion | Up to 240 servers by 8-level cascade |

| | |
|------------------------------|--|
| ■ Compatibility | |
| Multi-platform: | Mix PCs, SUN and Mac G3 / G4 Mac / iMac |
| Support: | Windows 7 / Vista / 2003 / XP, Linux, Unix |
| ■ Power | |
| Input: | AC power adapter |
| Consumption: | Max. 48 Watt, Standby 5 Watt |
| ■ Regulatory : | |
| Safety: | cUL, FCC & CE certified |
| Environment: | RoHS2 & REACH compliant |
| ■ Environmental | |
| Operating: | 0 to 50°C |
| Storage: | -5 to 60°C |
| Relative humidity: | 90%, non-condensing |
| Shock: | 50G peak acceleration (11ms, half-sine wave) |
| Vibration: | 58-100Hz / 0.98G (11ms / cycle) |
| ■ Product Information | |
| Dimension (W x D x H): | 443 x 171 x 44 mm / 17.4 x 6.7 x 1.73 inch |
| Net weight: | 3 kg / 6.5 lb |
| ■ Packing Information | |
| Dimension (W x D x H): | 500 x 400 x 90 mm / 19.7 x 15.7 x 3.5 inch |
| Gross weight: | 5 kg / 11 lb |

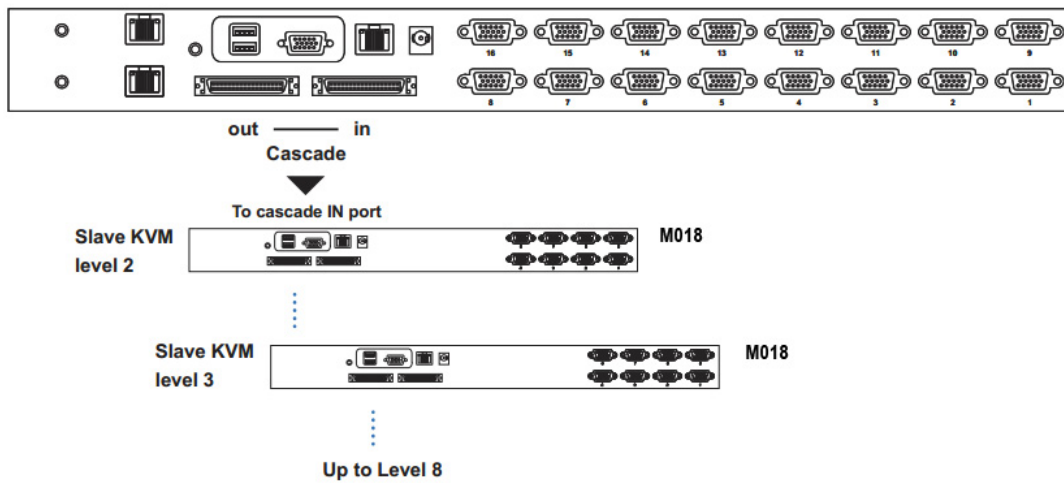
IP, REMOTE & LOCAL CONSOLE CONNECTION



KVM CASCADE

- Cascade up to 8 levels, 240 servers
- Cascading multiple KVM with CMC-8 cascade cable

Master KVM



Cascaded KVMs from level 2 to 8 must be the models of M018 / M0116 or MC0116 / MC0132.



When multiple matrix KVMs cascade together, the master KVM at level 1 will take all control of other slave KVM switches (e.g. level 2 to 8).



The slave matrix KVM will be as a port expansion module of the master matrix KVM, the original remote console on slave KVM will be sacrificed and disabled.



CMC-8

- 8ft Matrix KVM cascade cable