



NetView:1U Rackmount 21" Wide 1920 x 1080 LCD KVM with 104 key notepad Sun Compatible Keyboard w/ Trackball (b), Integrated with DVI-D + keyboard + mouse, 1 KVM Ports + 0 User Via CAT5 Extender + 0 Users Via KVM over IP. Over Depth is Inch. Dongles sold separately

Model: NVPW1215Sb

FEATURES:

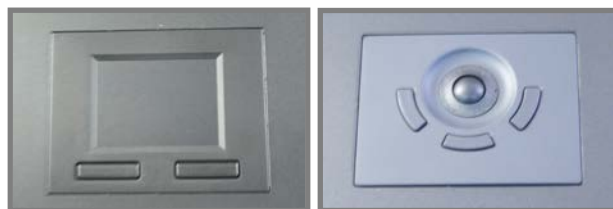
- 1U 21" widescreen LCD console drawer
- Support Full HD with 1080p resolution
- 104-key notepad SUN Compatible keyboard with trackball
- New enhanced aesthetics with molded front handle

Drawer Features & Options

- 3G / HD / SD-SDI Broadcast-grade input (w/ speaker)
- HDMI (w/ speaker)
- DC power : 12V / 24V / 48V / 110 ~ 125V

SPECIFICATIONS:

| | |
|---------------------------------------|---|
| LCD Panel | |
| Diagonal size | 21.5" widescreen TFT |
| Max. Resolution | 1920 x 1080 |
| Brightness (cd/m2) | 250 |
| Backlight | LED |
| Colors | 16.7M |
| Contrast Ratio (typ) | 1000 : 1 |
| Viewing Angle (H/V) | 170° x 160° |
| Active area (mm) | 477 x 268 |
| MTBF (hrs) | 30,000 |
| Casing Color | Black (RAL 9005) |
| Weight (Single console | |
| Net | 14.7 kgs / 32.3 lbs |
| Gross | 18.9 kgs / 41.6 lbs |
| Environmental | |
| Operating | 0 to 55°C Degree |
| Storage | -20 to 60°C Degree |
| Relative humidity | 5-90%, non-condensing |
| Shock | 10G acceleration (11 ms duration) |
| Vibration | 5-500Hz 1G RMS random vibration |
| Regulatory | FCC & CE certified |
| Power | |
| Input | Auto-sensing 100 to 240VAC, 50 / 60Hz |
| Consumption | Max. 32 Watt, Standby 4 Watt |
| Product Dimensions (Single console) | |
| Product | 441.6 x 670 x 44 mm / 17.4 x 26.4 x 1.73 inch |
| Packing | 595 x 860 x 140 mm / 23.4 x 33.9 x 5.5 inch |



SUN Keyboard / Mouse Options

Se

SUN keyboard integrated with touchpad



Sb

SUN keyboard integrated with trackball



SUN keyboard integrated with touchpad/trackball

- Incorporates SUN keys, including Stop, Cut, Paste, Compose, Copy and Help
- 104 key notepad keyboard with full numerical pad and SUN function
- USB interface
- US layout only

How to Use "SUN" Keyboard



Num LED in Off mode

Key pad behaves as a SUN Solar system administration command mode



Num LED in Green mode

Key pad behaves as a normal key pad mode

Audio / Display Keys

* Please ask your supplier for full details



F9
Audio : Mute
Display : Degauss

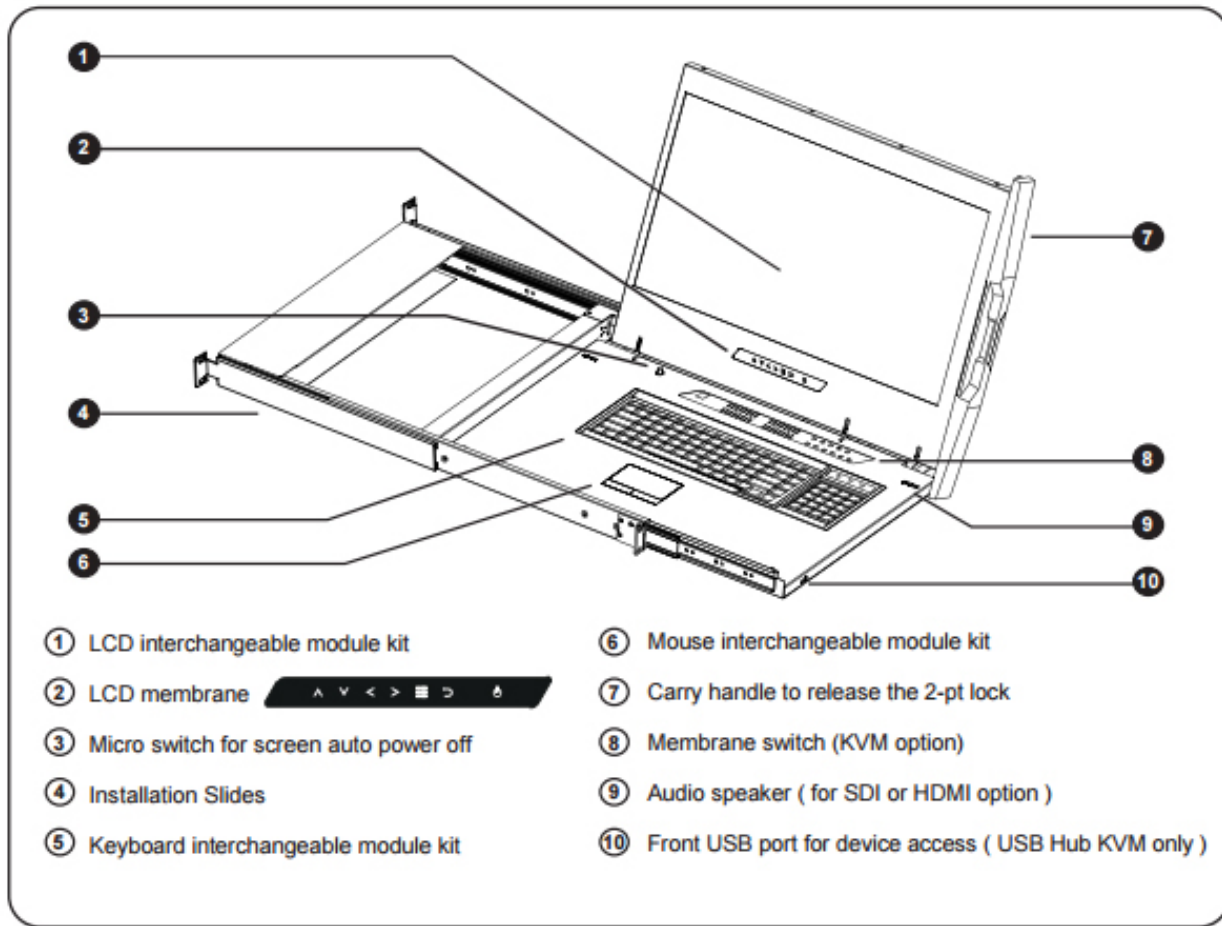


F11
Audio : Decrease volume
Display : Decrease contrast



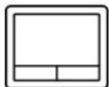
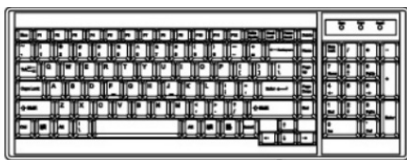
F12
Audio : Increase volume
Display : Increase contrast

STRUCTURE DIAGRAM

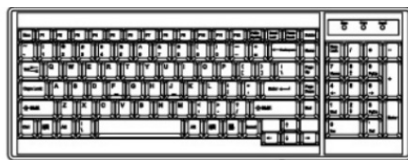


STANDARD KEYBOARD

e keyboard integrated with touchpad



b keyboard integrated with trackball



Supporting layouts

America 
United States

EMEA  United Kingdom  Germany  France  Spain  Norway

 Italy  Russia  Switzerland  Netherlands  Portugal

Asia  China  Japan  Korea  Arabia  Turkey



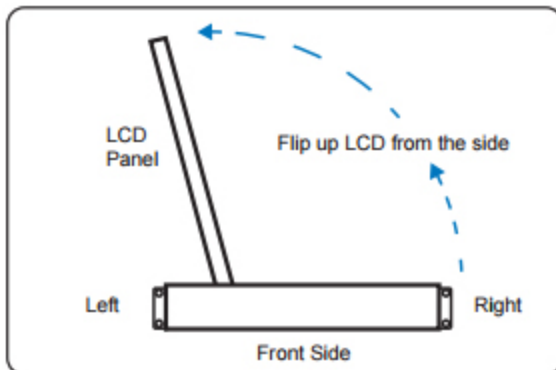
- Hold the handle and slide out the drawer.



- Flip up the LCD to a suitable angle



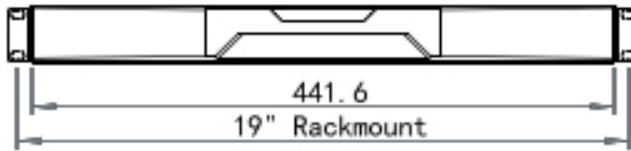
- Operate the LCD console drawer.



Option - Right Side Open

DIMENSION

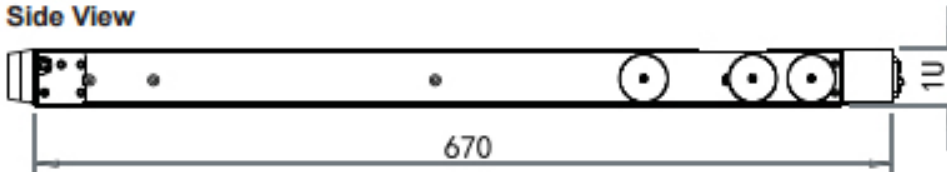
Front View



Rear View



Side View



UNIT : mm
1mm = 0.03937 inch

Top View

