



NetView: 1U Rackmount 24" Wide 1920 x 1200 LCD KVM with 104 key notepad MAC keyboard w/ Trackball (b), Integrated with DVI-D, 12 KVM Ports + 0 User Via CAT5 Extender + 0 Users Via KVM over IP. Over Depth is 31.5 Inch. Dongles sold separately

**Model: NVPW1240-12DMb**

**FEATURES:**

- 1U 24" widescreen LCD console drawer
- Support 1920 x 1200 native WUXGA Ultra high resolution
- 104-key MAC keyboard with trackball
- New enhanced aesthetics with molded front handle
- 12-port DVI-D, USB & Audio KVM

**Drawer Features & Options**

- 3G / HD / SD-SDI Broadcast-grade input (w/ speaker)
- HDMI (w/ speaker)
- DC power : 12V / 24V / 48V / 110 ~ 125V

**SPECIFICATIONS:**

|                                       |   |
|---------------------------------------|---|
| LCD Panel                             |   |
| Diagonal size                         | 24.1" widescreen TFT                          |
| Max. Resolution                       | 1920 x 1200                                   |
| Brightness (cd/m2)                    | 300   |
| Backlight                             | LED   |
| Colors                                | 16.7M   |
| Contrast Ratio (typ)                  | 1000 : 1                                      |
| Viewing Angle (H/V)                   | 178° x 178°                                   |
| Active area (mm)                      | 518 x 324                                     |
| MTBF (hrs)                            | 30,000  |
| Casing Color                          | Black ( RAL 9005 )                            |
| Weight ( Single console )             |   |
| Net                                   | 15.3 kgs / 33.7 lbs                           |
| Gross                                 | 19.5 kgs / 42.9 lbs                           |
| Environmental                         |   |
| Operating                             | 0 to 55°C Degree                              |
| Storage                               | -20 to 60°C Degree                            |
| Relative humidity                     | 5-90%, non-condensing                         |
| Shock                                 | 10G acceleration ( 11 ms duration )           |
| Vibration                             | 5-500Hz 1G RMS random vibration               |
| Regulatory                            | FCC & CE certified                            |
| Power                                 |   |
| Input                                 | Auto-sensing 100 to 240VAC, 50 / 60Hz         |
| Consumption                           | Max. 40 Watt, Standby 5 Watt                  |
| Product Dimensions ( Single console ) |   |
| Product                               | 441.6 x 700 x 44 mm / 17.4 x 27.6 x 1.73 inch |
| Packing                               | 595 x 910 x 140 mm / 23.4 x 35.8 x 5.5 inch   |



## MAC Keyboard / Mouse Options

**Me** MAC keyboard integrated with touchpad



**Mb** MAC keyboard integrated with trackball



### Supporting layouts

America



United States

## How to Use "MAC" Keyboard

### Keyboard Features



**F1**  
Decrease display brightness



**F9**  
Fast-forward



**F2**  
Increase display brightness



**F10**  
Mute sound



**F3**  
Mission control  
\* Only works with OS X Lion  
default Keyboard Shortcuts.



**F11**  
Decrease volume



**F4**  
Dashboard



**F12**  
Increase volume



**F7**  
Rewind



Eject disc



**F8**  
Play / Pause



Command



- Hold the handle and slide out the drawer.



- Flip up the LCD to a suitable angle



- Operate the LCD console drawer.



**Option - Right Side Open**

## DIMENSION

Front View

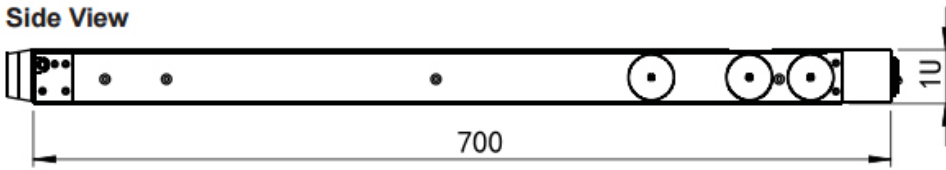


Rear View

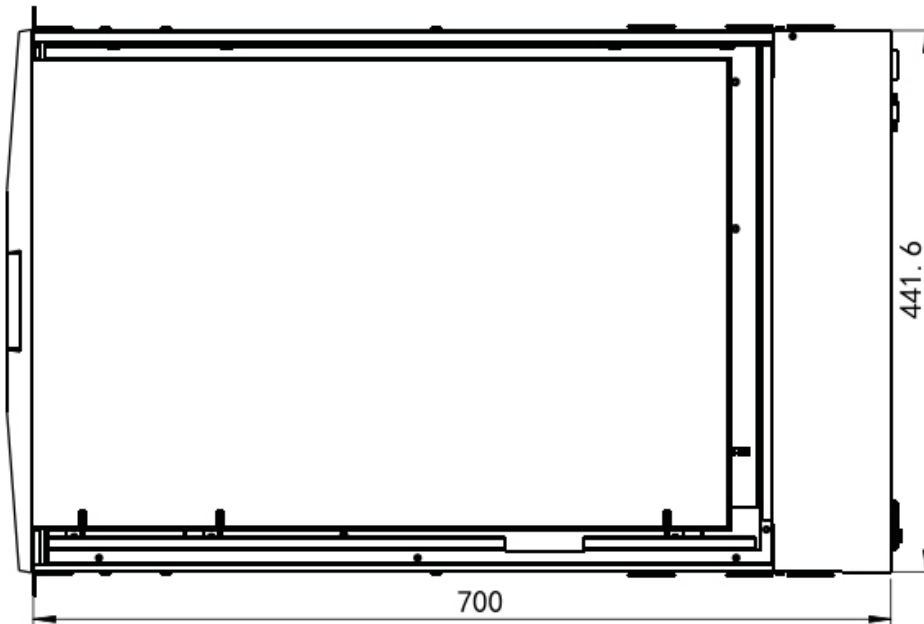


UNIT : mm  
1mm = 0.03937 inch

Side View



Top View



## STANDARD KEYBOARD

e keyboard integrated with touchpad



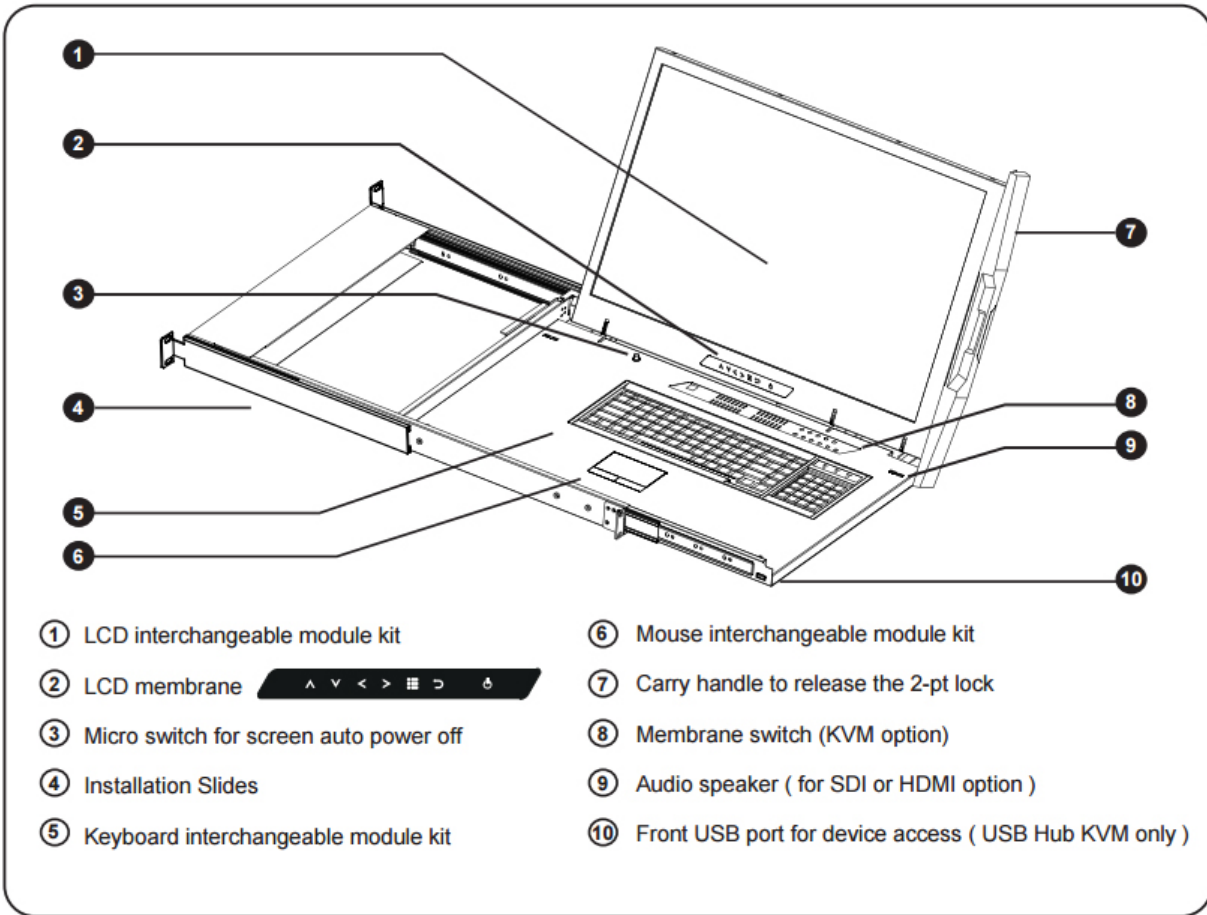
b keyboard integrated with trackball



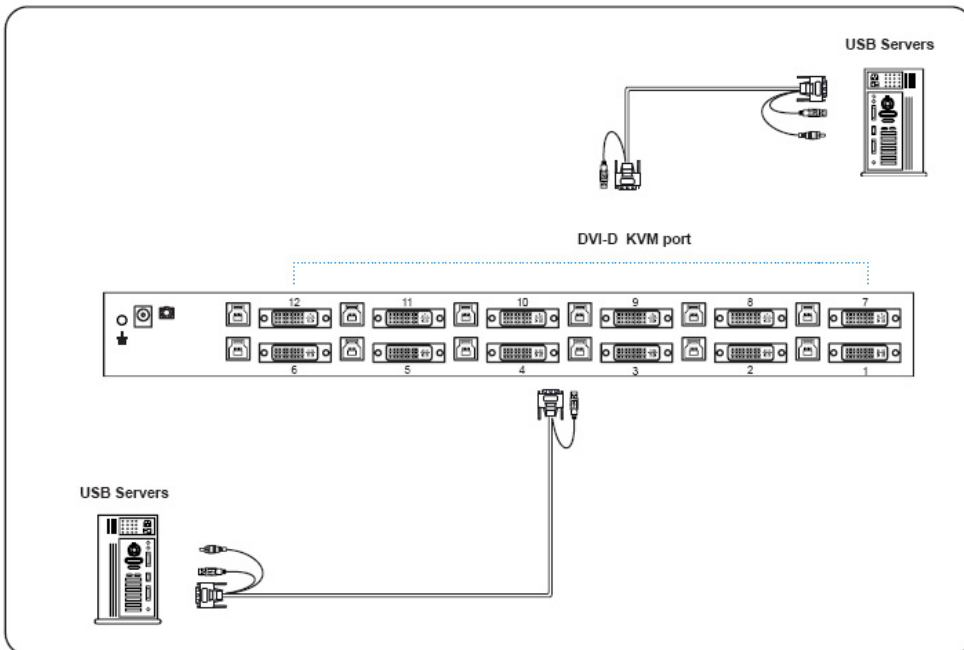
### Supporting layouts

|         |  |   |   |   |  |
|---------|--|---|---|---|--|
| America | <br>United States |   |   |   |  |
| EMEA    |  United Kingdom   |  Germany |  France      |  Spain       |  Norway   |
|         |  Italy            |  Russia  |  Switzerland |  Netherlands |  Portugal |
| Asia    |  China            |  Japan   |  Korea       |  Arabia      |  Turkey   |

## STRUCTURE DIAGRAM



## KVM PORT CONNECTION



### DVI KVM Cable

NC-6: 6 feet DVI KVM Cable

NC-15: 6 feet DVI KVM Cable

(Server end : DVI-D+USB+Audio)

(KVM Port: DVI-D+USB 3.0)



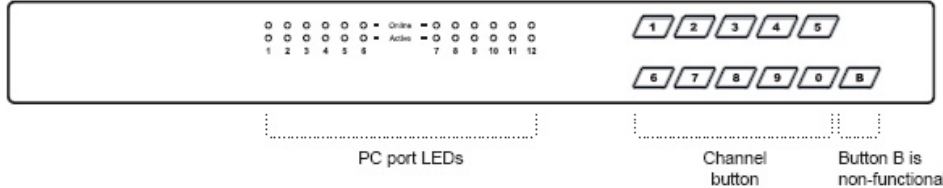
## DVI KVM SPECIFICATIONS

| KVM Port           |   |
|--------------------|---|
| Number of ports:   | 12  |
| Connector:         | DVI-D connector   |
|                    | USB 3.0 connector ( combined for keyboard, mouse & audio) |
| Connectivity:      | Combo 4-in-1 KVM cable, 6 or 15 feet                      |
| Local Console      |   |
| Graphic connector: | 1 x DVI-D   |
| Resolution:        | Up to 1920x1200   |
| Input device:      | 2 x USB type A for keyboard & mouse                       |
| Audio out:         | 1 x 3.5mm stereo audio                                    |
| Management         |   |
| PC Selection:      | Front button & keyboard hotkey                            |
| Compatibility      |   |
| Multi-platform:    | Mix PCs, SUN and Mac G3 / G4 Mac / iMac                   |
| Support:           | Windows 7 / Vista / 2003 / XP, Linux, Unix                |

| Regulatory         |  |
|--------------------|--|
| Safety:            | FCC & CE certified                           |
| Environment:       | RoHS2 & REACH compliant                      |
| Environmental      |  |
| Operating:         | 0 to 50°C                                    |
| Storage:           | -5 to 60°C                                   |
| Relative humidity: | 90%, non-condensing                          |
| Shock:             | 50G peak acceleration (11ms, half-sine wave) |
| Vibration:         | 58-100Hz/0.98G (11ms/ cycle)                 |

### Front Panel - Port LED Indications

#### DVI-D KVM 12 ports



|                |   |
|----------------|---|
| PC port LEDs   | <b>Online</b> : Blue LED on indicating a PC is connecting to the port<br><b>Active</b> : Green LED on indicating a selected channel |
| Channel button | Press to select channel from 01 to 12   |