

# USB HUB KVM

NetView: 1U Rackmount 24" Wide 1920 x 1200 LCD KVM with 104 key notepad MAC keyboard w/ Trackball (b), Integrated with DB-15,8 KVM Ports + 1 User Via CAT5 Extender + 0 Users Via KVM over IP. Over Depth is 31.5 Inch. Dongles sold separately

Model: NVPW1240-B82Mb

**FEATURES:**

- 1U 24" widescreen LCD console drawer
- Support 1920 x 1200 native WUXGA Ultra high resolution
- 104-key MAC keyboard with trackball
- New enhanced aesthetics with molded front handle

**Drawer Features & Options**

- 3G / HD / SD-SDI Broadcast-grade input (w/ speaker)
- HDMI (w/ speaker)
- DC power : 12V / 24V / 48V / 110 ~ 125V

**SPECIFICATIONS:**

|                                       |   |
|---------------------------------------|---|
| LCD Panel                             |   |
| Diagonal size                         | 24.1" widescreen TFT                          |
| Max. Resolution                       | 1920 x 1200                                   |
| Brightness (cd/m2)                    | 300   |
| Backlight                             | LED   |
| Colors                                | 16.7M   |
| Contrast Ratio (typ)                  | 1000 : 1                                      |
| Viewing Angle (H/V)                   | 178° x 178°                                   |
| Active area (mm)                      | 518 x 324                                     |
| MTBF (hrs)                            | 30,000  |
| Casing Color                          | Black ( RAL 9005 )                            |
| Weight ( Single console               |   |
| Net                                   | 15.3 kgs / 33.7 lbs                           |
| Gross                                 | 19.5 kgs / 42.9 lbs                           |
| Environmental                         |   |
| Operating                             | 0 to 55°C Degree                              |
| Storage                               | -20 to 60°C Degree                            |
| Relative humidity                     | 5-90%, non-condensing                         |
| Shock                                 | 10G acceleration ( 11 ms duration )           |
| Vibration                             | 5-500Hz 1G RMS random vibration               |
| Regulatory                            | FCC & CE certified                            |
| Power                                 |   |
| Input                                 | Auto-sensing 100 to 240VAC, 50 / 60Hz         |
| Consumption                           | Max. 40 Watt, Standby 5 Watt                  |
| Product Dimensions ( Single console ) |   |
| Product                               | 441.6 x 700 x 44 mm / 17.4 x 27.6 x 1.73 inch |
| Packing                               | 595 x 910 x 140 mm / 23.4 x 35.8 x 5.5 inch   |



## MAC Keyboard / Mouse Options

**Me** MAC keyboard integrated with touchpad



**Mb** MAC keyboard integrated with trackball



### Supporting layouts

America



United States

## How to Use "MAC" Keyboard

### Keyboard Features



**F1**  
Decrease display brightness



**F9**  
Fast-forward



**F2**  
Increase display brightness



**F10**  
Mute sound



**F3**  
Mission control  
\* Only works with OS X Lion  
default Keyboard Shortcuts.



**F11**  
Decrease volume



**F4**  
Dashboard



**F12**  
Increase volume



**F7**  
Rewind



**Eject disc**



**F8**  
Play / Pause



**Command**



- Hold the handle and slide out the drawer.



- Flip up the LCD to a suitable angle



- Operate the LCD console drawer.



**Option - Right Side Open**

## DIMENSION

Front View



Rear View



UNIT : mm  
1mm = 0.03937 inch

Side View



Top View



## STANDARD KEYBOARD

e keyboard integrated with touchpad



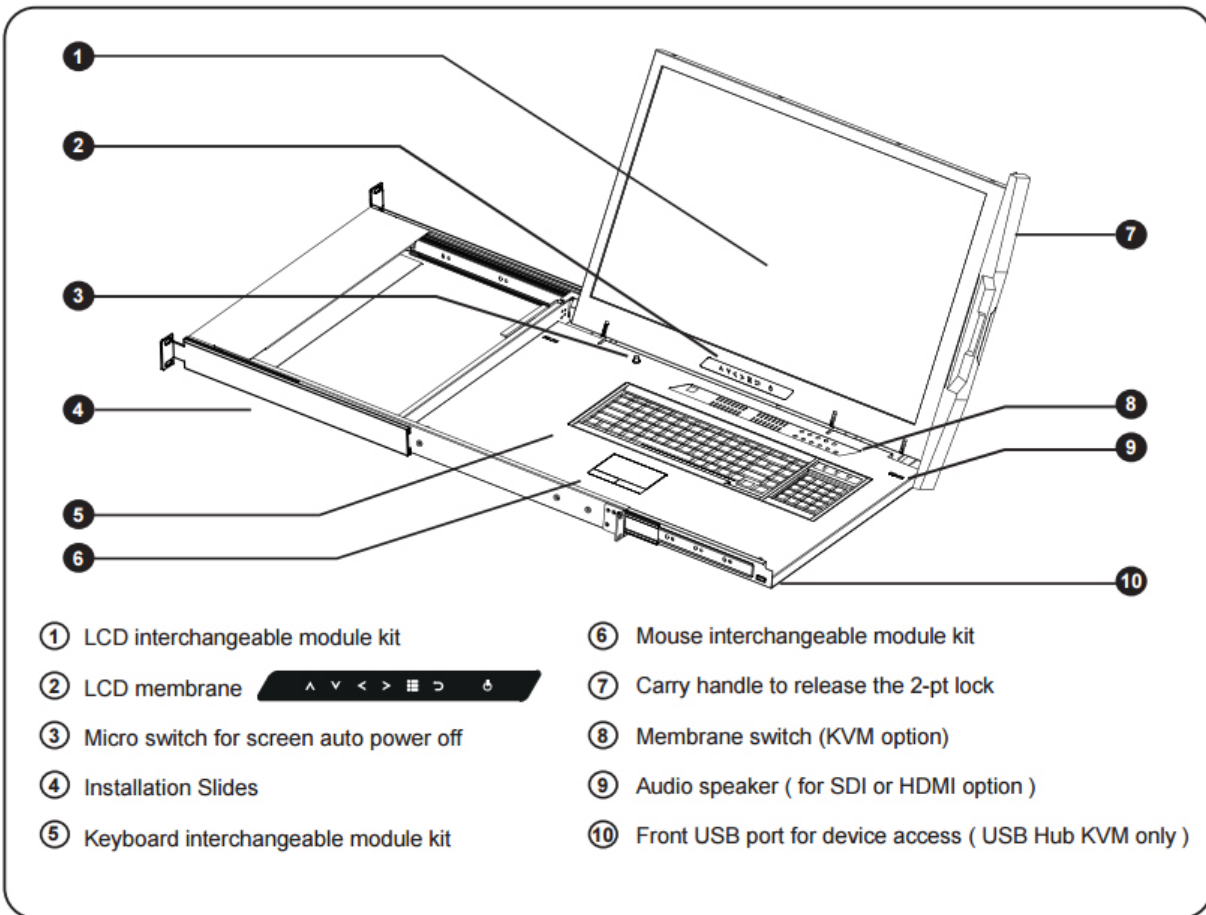
b keyboard integrated with trackball



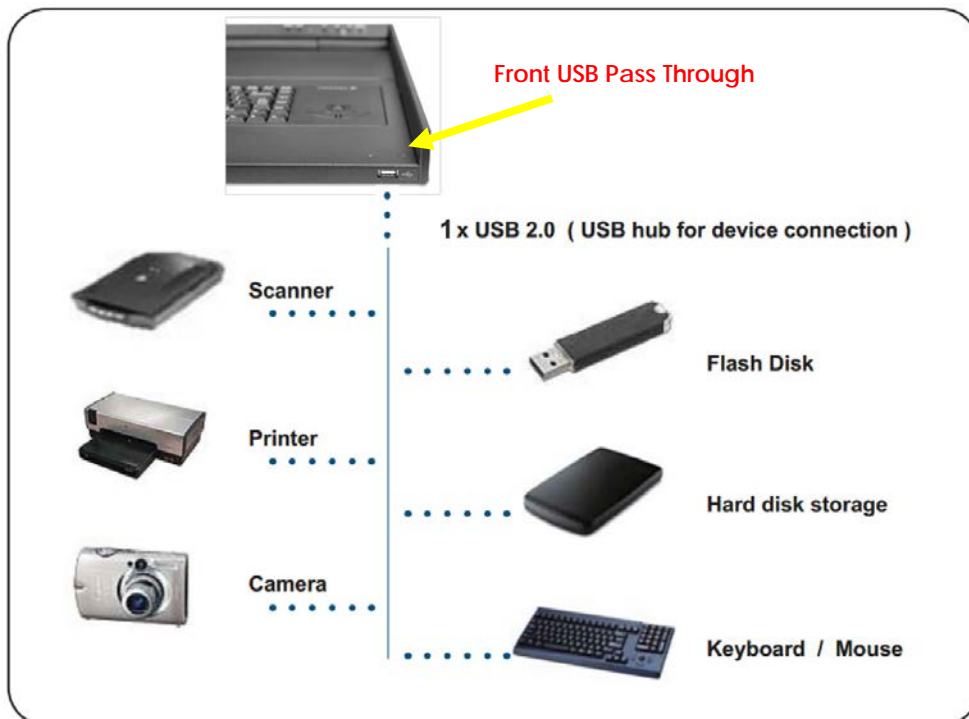
### Supporting layouts

|         |  |   |   |   |  |
|---------|--|---|---|---|--|
| America | <br>United States |   |   |   |  |
| EMEA    |  United Kingdom   |  Germany |  France      |  Spain       |  Norway   |
|         |  Italy            |  Russia  |  Switzerland |  Netherlands |  Portugal |
| Asia    |  China            |  Japan   |  Korea       |  Arabia      |  Turkey   |

## STRUCTURE DIAGRAM



## BUILT-IN USB HUB USAGE & CONNECTION





## USB Hub DB-15 IP KVM Benefits

- VGA-USB DB-15 KVM with either 8 or 16 ports in 1U
- IP remote access across the world wide web
- 2 x USB 2.0 port sharing USB peripheral for computers
- Mix USB & SUN with Multi-Platform switch capability
- Support resolution up to 1920 x 1080
- SUN 1152 x 900 resolution compatible
- Hot pluggable, no software or drivers required
- Easy & quick installation

## Switch Features & Options

- Multi lingual on screen display menu
- Control hardware and software systems from a remote location without physically being at the server's location
- Advanced user profiles and configurable OSD hot key combinations
- 12V, 24V and 48V DC Power options

**Note: No Daisy chain function on USB Hub KVM model**



## Real View



## KVM SPECIFICATIONS

|                            |   |
|----------------------------|---|
| <b>■ KVM Port</b>          |   |
| Number of ports:           | 8 or 16   |
| Connector:                 | DB-15 combo connector   |
| Connectivity:              | Combo 2-in-1 VGA + USB KVM cable, 6, 10 or 15 feet                      |
| <b>■ Local Console</b>     |   |
| Graphic connector:         | 1 x DB-15   |
| Resolution:                | Up to 1920x1200   |
| Input device:              | 2 x USB type A for keyboard & mouse                                     |
| USB hub:                   | 2 x USB type A for sharing other peripheral devices among the computers |
| <b>■ IP Remote Console</b> |   |
| Connector:                 | RJ45 Ethernet   |
| User management:           | 15-user login, 1 x active user  |
| Network protocol:          | DHCP / BOOTP / DNS  |
| Security:                  | SSL v3, RSA, AES, HTTP / HTTPS, CSR                                     |
| Resolution:                | Up to 1600 x 1200   |
| Browser:                   | IE, Firefox, Safari, Netscape   |
| <b>■ Compatibility</b>     |   |
| Multi-platform:            | Mix PCs, SUN and Mac G3 / G4 Mac / iMac                                 |
| Support:                   | Windows 7 / Vista / 2003 / XP, Linux, Unix                              |

|                              |  |
|------------------------------|--|
| <b>■ Power</b>               |  |
| Input:                       | Auto sensing 100 to 240VAC, 50 / 60 Hz       |
| Option DC:                   | 12V / 24V / 48V DC input                     |
| Consumption:                 | Max. 12 Watt, Standby 5 Watt                 |
| <b>■ Regulatory :</b>        |  |
| Safety:                      | FCC & CE certified                           |
| Environment:                 | RoHS2 & REACH compliant                      |
| <b>■ Environmental</b>       |  |
| Operating:                   | 0 to 50°C                                    |
| Storage:                     | -5 to 60°C                                   |
| Relative humidity:           | 90%, non-condensing                          |
| Shock:                       | 50G peak acceleration (11ms, half-sine wave) |
| Vibration:                   | 58-100Hz / 0.98G (11ms / cycle)              |
| <b>■ Product Information</b> |  |
| Dimension (W x D x H):       | 443 x 171 x 44 mm / 17.4 x 6.7 x 1.73 inch   |
| Net weight:                  | 3 kg / 6.5 lb                                |
| <b>■ Packing Information</b> |  |
| Dimension (W x D x H):       | 500 x 400 x 90 mm / 19.7 x 15.7 x 3.5 inch   |
| Gross weight:                | 5 kg / 11 lb                                 |

## KVM PORT CONNECTION



## IP & Local console connection

