

1U 17" (16:9) 4K 3840x2160 LCD keyboard drawer with
8-port 4K HDMI KVM w/ touchpad, 2 x rear USB ports
1 x CAC card reader (no cable included)

Model: NVPW1730K8-CAC-e



FEATURES:

- 1U 17" 4K LCD console drawer
- 3840 x 2160@60Hz native resolution / 16.7M colors (8-bit)
- 1920 x 1080 & 1920 x 1200 resolution support
- 104-key keyboard with either touchpad or trackball
- Built-in dual stereo speakers
- One Man installation design
- New enhanced aesthetics with molded front handle
- 2-year standard warranty (upgradable up to 5 years)

OPTIONS

- HDMI 2.0 video input
- Front USB Hub Port for Device Access
- 3G / HD / SD-SDI Broadcast-grade input
- 2-post rack mounting brackets (ORB-2.1)
- DC power : 12V / 24V / 48V / 125V
- MAC or SUN Micro keyboard options available
- Touchscreen : Resistive 1-pt

SPECIFICATIONS:

LCD Panel	
Panel size (diagonal)	17.3"
Native resolution	3840 x 2160@60Hz
Brightness (cd/m ²)	400
Contrast ratio (typ.)	1000 : 1
Colors	16.7 M, 8-bit
Viewing angle (L/R/U/D)	89/89/89/89
Response time (ms)	16
Dot pitch (mm)	0.0995
Display area (mm)	382.12H x 214.94V
Surface treatment	Anti-glare
Surface hardness	3H
Backlight type	LED
MTBF (hrs)	20,000

Audio Option		
Input	Connector	3.5mm stereo jack
	Impedance / Power level	30kΩ / 750mV
Speaker	Dual stereo	2W x 2

Mounting Distance	
Console w/ KVM drawer	490 ~ 800 mm 19.3 ~ 31.5 inch

Video Option		
Digital	HDMI	HDMI 2.0 / HDCP 2.2

Power		
Input	Auto-sensing 100 to 240VAC, 50 / 60Hz	
Consumption (console / KVM)	Screen on	Max. 21W / Max. 38W
	Power saving mode	Max. 2W / Max. 18W
	Power button on	Max. 1W / Nil

Environment	
Operating temp.	0 to 55°C degree
Storage temp.	-20 to 60°C degree
Operating humidity	20~90%, non-condensing
Storage humidity	5 ~90%, non-condensing
Operating altitude	16,000 ft
Non-operating altitude	40,000 ft
Shock	10G acceleration (11ms duration)
Vibration	10~300Hz 0.5G RMS random vibration

Compliance	
EMC	FCC & CE certified
Safety	CE / LVD certified
Environment	RoHS2 & REACH compliant

Physical		
Dimensions; (W x D x H)	Console w/ KVM	442 x 580 x 44 mm 17.4 x 22.8 x 1.73 inch
	Packing (W x D x H)	590 x 808 x 140 mm 23.2 x 31.8 x 5.5 inch
Net weight	Console w/ KVM	12.1 kg / 26.6 lb
Gross Weight	Console w/ KVM	18.1 kg / 39.8 lb

*Specifications subject to change without notice, not responsible for typographical errors.

BENIFITS

- 4K KVM with 8 HDMI USB ports in 1U
- 4K KVM cables support DP & HDMI video input
- USB hub port share peripheral devices among computers
- Local console & KVM ports support resolution 4K, 2K and 1080p.
- Multi-platform for PC, server, blade server & SUN / MAC
- Port switching via front button & keyboard hotkeys
- Hot pluggable, no software or drivers required

4K KVM Cable



NK6DP
DP KVM cable
6ft 4K 60Hz



NK6H
HDMI KVM cable
6ft 4K 60Hz

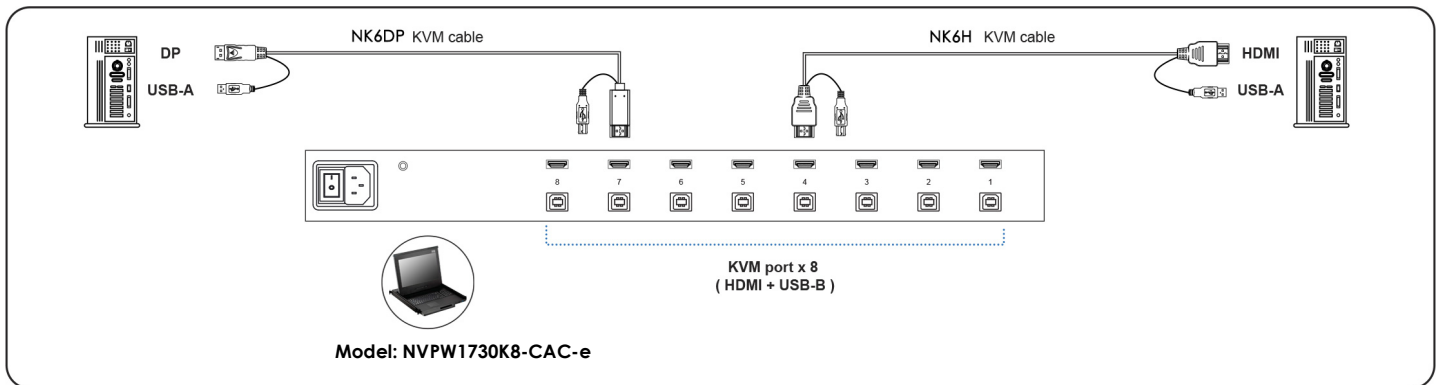
OPTIONS

DC power options: 12V / 24V / 48V / 125V

KVM Port	
Port # :	8
Connector :	HDMI 2.0 + USB-B (Video + KB / MS)
Resolution :	16 : 9 - max. 3840 x 2160@60Hz
	16 : 10 - max. 1920 x 1200@60Hz
	4 : 3 - max. 1600 x 1200@60Hz

Local Console	
Keyboard / Mouse :	2 x USB-A
Video :	1 x HDMI 2.0
Resolution :	16 : 9 - max. 3840 x 2160@60Hz
	16 : 10 - max. 1920 x 1200@60Hz
	4 : 3 - max. 1600 x 1200@60Hz

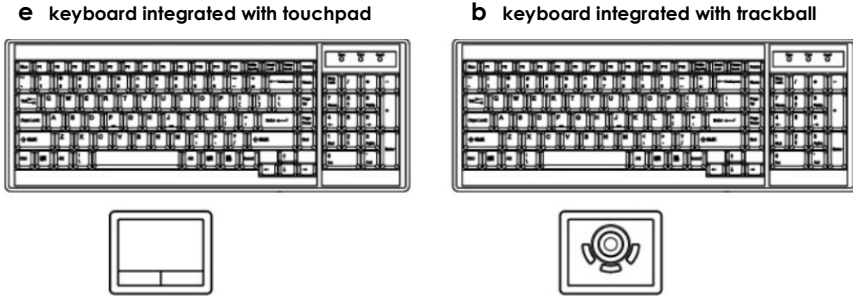
LOCAL CONSOLE & KVM PORT CONNECTION



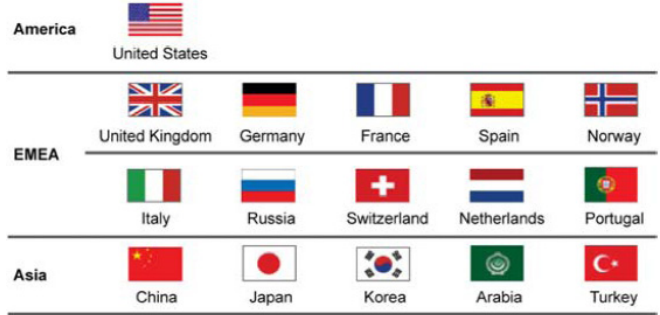
Management	
Port switching	Front button & keyboard hotkeys
Compatibility	
Hardware	HP / IBM / Dell PC, Server and Blade Server SUN / Mac
OS support	Windows / Linux / Unix / Mac OS
Environment	
Operating temp.	0 to 55°C degree
Storage temp.	-20 to 60°C degree
Operating humidity	20~90%, non-condensing
Operating altitude	16,000 ft
Non-operating altitude	40,000 ft
Shock	10G acceleration (11ms duration)
Vibration	10~300Hz 0.5G RMS random vibration

Power	
Input	Auto-sensing 100 to 240VAC, 50 / 60Hz
Consumption	Max. 10W
Compliance	
Safety	FCC & CE certified
Environment	RoHS2 & REACH compliant

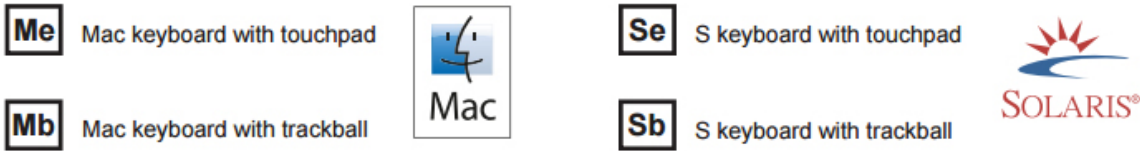
STANDARD KEYBOARD



Supporting layouts

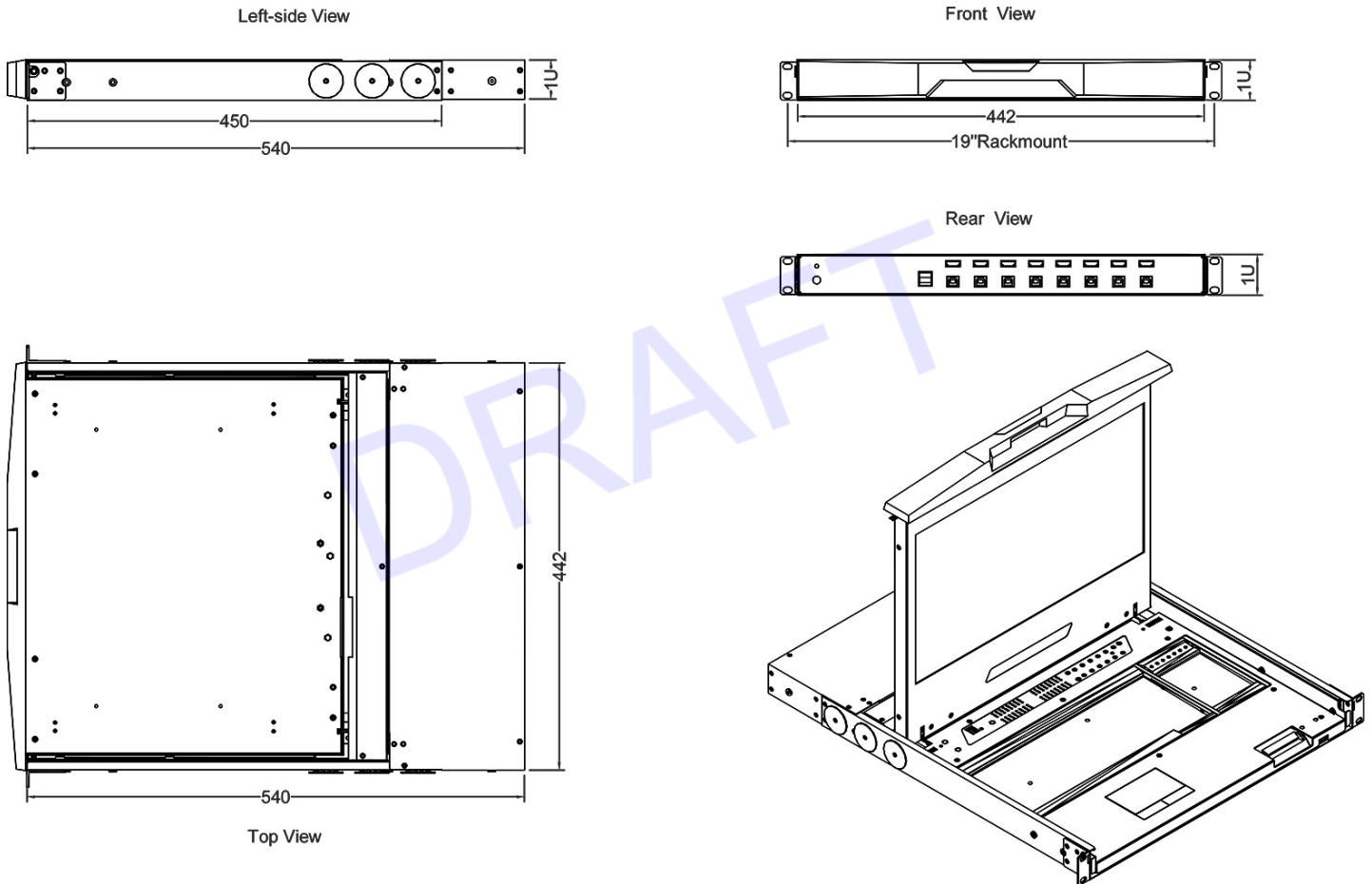


KEYBOARD OPTIONS (US layout only)



MECHANICAL DRAWINGS

This is subject to change without Notice. Final Drawings Will be Provided for Approval after Order.



Drawing No.: NVPW1730K8-CAC-e-11112022-V1