



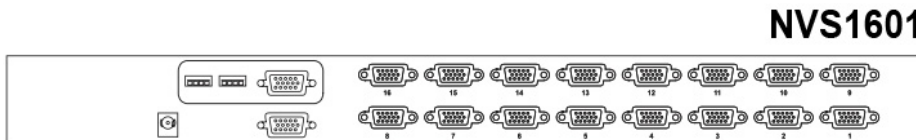
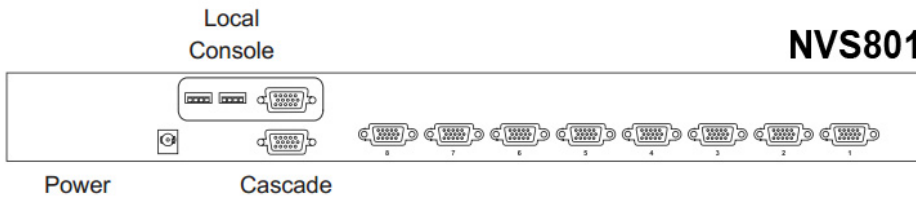
Standalone KVM Switch
 Model: NVS801
 NVS1601

Combo DB-15 KVM Benefits

- Combo DB-15 KVM with either 8 or 16 ports in 1U
- Cascade switches up to 8 levels & Mix switches between Cat6 & Combo DB-15 KVM
- Mix PS/2, USB & SUN with Multi-Platform switch capability
- Support resolution up to 1920 x 1080
- SUN 1152 x 900 resolution compatible
- Hot pluggable, no software or drivers required
- Easy & quick installation

Switch Features & Options

- Multi lingual on screen display menu
 - Advanced user profiles and configurable OSD hot key combinations
- 12V, 24V and 48V DC Power options



Ordering Information

Console	Local	Remote	IP	8-port	16-port
	1	0	0	NVS801	NVS1601

KVM Specification

■ KVM Port

Number of ports: 8 or 16
 Connector: DB-15 combo connector
 Connectivity: Combo 4-in-1 KVM cable, up to 6, 10 & 15 feet

■ Local Console

Graphic Connector: 1 x DB-15 VGA
 Resolution: Up to 1920 x 1080 / 1920 x 1200
 Input device: 2 x USB type A for keyboard & mouse

■ Management

Multilingual: English, France, German, Spanish, Italian, Russian, Simplified Chinese, Japanese
 OSD: Scroll-lock, Cap-lock, Num-lock, Alt, Ctrl & Win
 Hotkey combination: Password enable & disable, up to 8 users profile for port access
 Security: Front button, OSD menu & hotkey
 PC Selection: Up to 128 servers by 8-level cascade

■ Expansion:

■ Compatibility

Multi-platform: Mix PCs, SUN and Mac G3 / G4 Mac / iMac
 Support: Windows 7 / Vista / 2003 / XP, Linux, Unix

■ Power

Input: Auto sensing 100 to 240VAC, 50 / 60 Hz
 Option DC: 12V / 24V / 48V DC input
 Consumption: Max. 24 Watt, Standby 5 Watt

■ Regulatory :

Safety: cUL, FCC & CE certified
 Environment: RoHS2 & REACH compliant

■ Environmental

Operating: 0 to 50°C
 Storage: -5 to 60°C
 Relative humidity: 90%, non-condensing
 Shock: 50G peak acceleration (11ms, half-sine wave)
 Vibration: 58-100Hz / 0.98G (11ms / cycle)

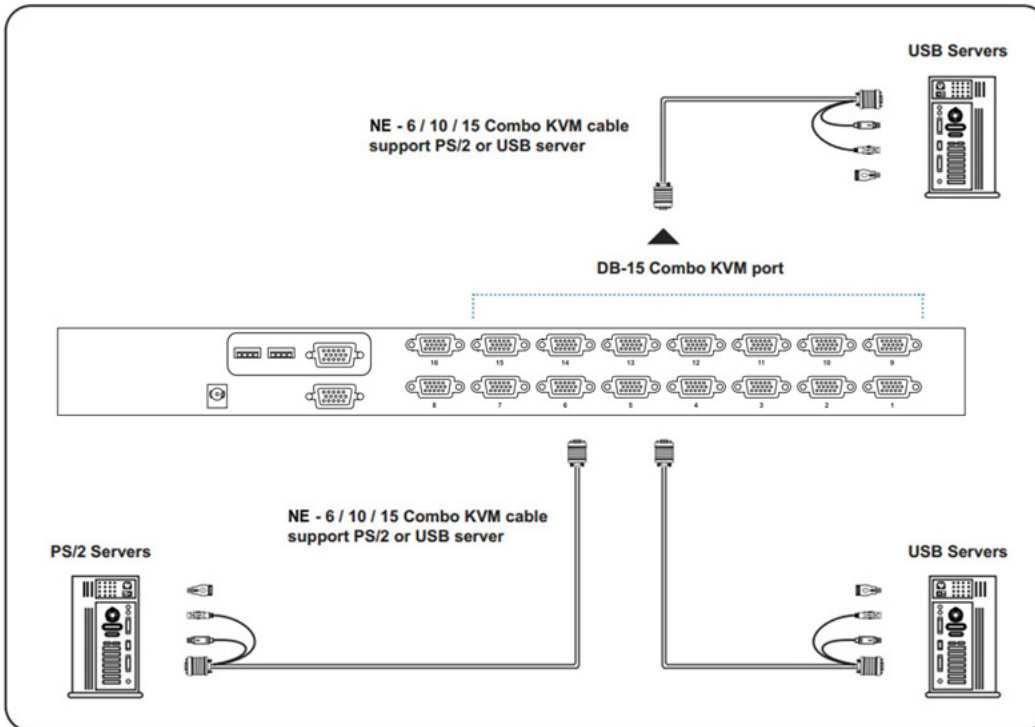
■ Product Information

Dimension (W x D x H): 443 x 171 x 44 mm / 17.4 x 6.7 x 1.73 inch
 Net weight: 2.4 kg / 5.3 lb (NVS801)
 2.6 kg / 5.7 lb (NVS1601)

■ Packing Information

Dimension (W x D x H): 500 x 400 x 90 mm / 19.7 x 15.7 x 3.5 inch
 Gross weight: 3.9 kg / 8.6 lb (NVS801)
 4.2 kg / 9.2 lb (NVS1601)

KVM port connection



NE-6 / NE-10 / NE-15

- 6 / 10 / 15 ft Combo KVM cable
- Support PS/2 or USB server

KVM Cascade

- Cascade up to 8 levels, 128 servers
- Cascading multiple KVM with CBC-6 cascade cable

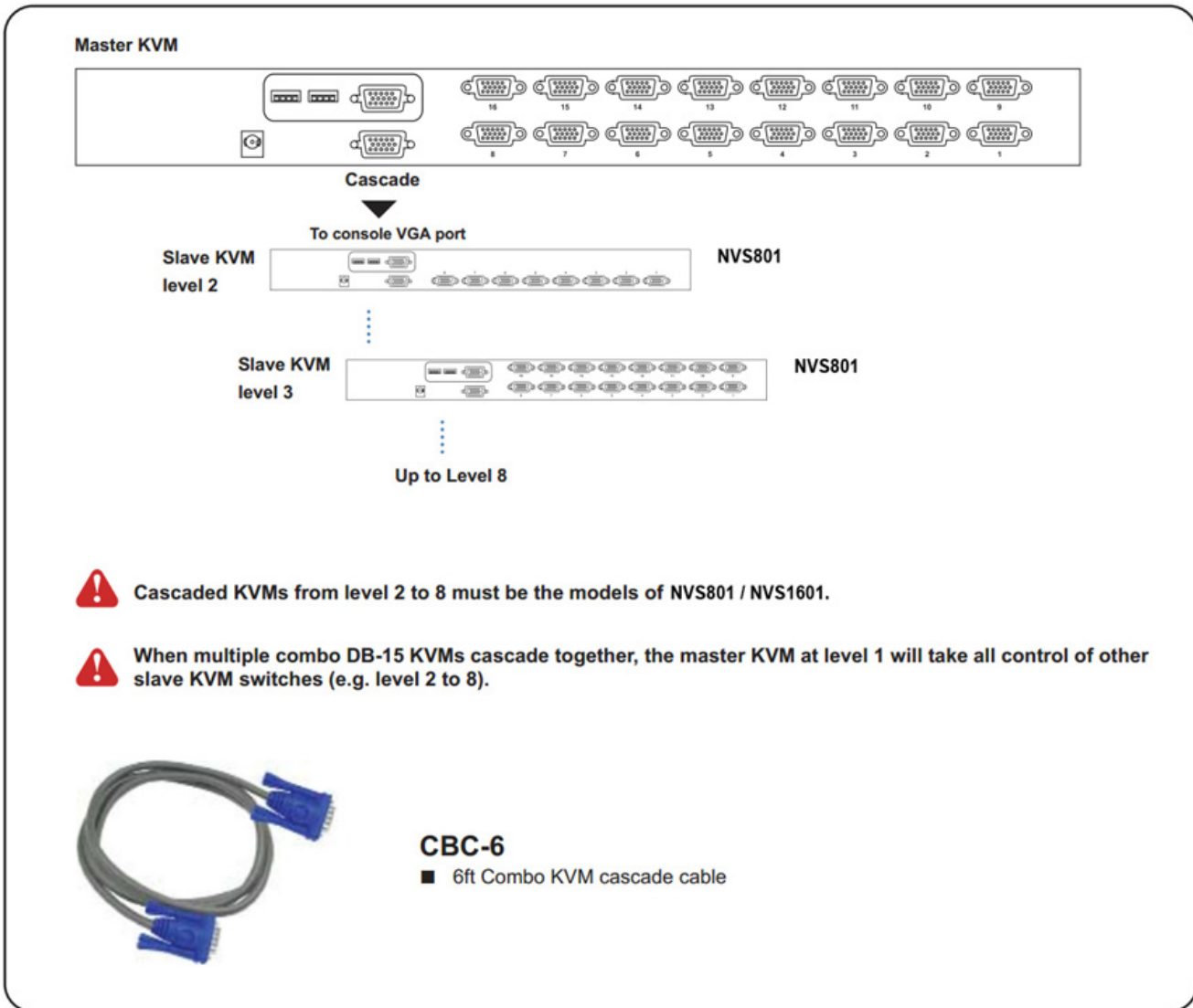


Photo Gallery

