



NX117/119


LCD Drawer & KVM Benefits

- 1U 17" or 19" LCD console drawer
- 104-key keyboard with either touchpad or trackball
- Short depth design of 500mm (19.7") only
- Enhanced aesthetics with molded front handle and two point lock

Drawer Features & Options

- S-Video + Composite (BNC) or Audio input
- HDMI or DVI-D (either one)
- 48V, 24V or 12VDC power



LCD Panel		
Manufacturer		
Diagonal size	17" TFT	19" TFT
Max. Resolution	1280 x 1024	1280 x 1024
Brightness (cd/m2)	250	250
Backlight	CCFL	LED
Colors	16.7M	16.7M
Contrast Ratio (typ)	1000 : 1	1000 : 1
Viewing Angle (H/V)	160° x 160°	170° x 160°
Active area (mm)	338 x 270	376 x 301
MTBF (hrs)	50,000	30,000
Signal input	VGA	VGA
Casing Color	Black (RAL 9005)	
Weight (Single console)		
Net	12.3 kgs (27.1 lbs)	12.5 kgs (27.5 lbs)
Gross	16.5 kgs (36 lbs)	17 kgs (37.4 lbs)
Environmental		
Operating	0 to 50°C Degree	
Storage	-5 to 60°C Degree	
Relative humidity	5~90%, non-condensing	
Shock	10G acceleration (11 ms duration)	
Vibration	5~500Hz 1G RMS random vibration	
Regulatory	cUL, FCC, CE	

Power	
Input	Auto-sensing 100 to 240VAC, 50 / 60Hz
Consumption	Max. 48 Watt, Standby 5 Watt
Product Dimensions (Single console)	
Product	441.6 x 500 x 44 mm / 17.4 x 19.7 x 1.73 inch
Packing	590 x 823 x 140 mm / 23.2 x 32.4 x 5.5 inch

Console Cable

- NE-6
 6 feet Combo KVM cable (bundle)
 - VGA + USB or PS/2, server end
 - DB15 (VGA, USB KB & MS), console port

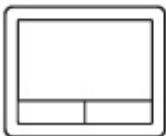
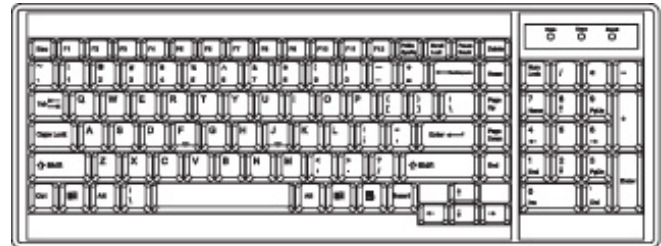
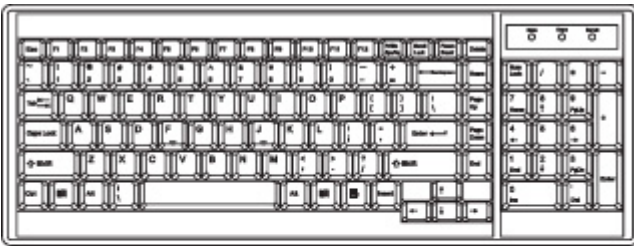
Dimensions

Product	441.6 x 620 x 44 mm / 17.4 x 24.4 x 1.73 inch
Packing	590 x 823 x 140 mm / 23.2 x 32.4 x 5.5 inch
Weight (Net / Gross)	
NX117	13.3 kgs (29.2 lbs) / 16.5 kgs (36.3 lbs)
NX119	13.5 kgs (29.7 lbs) / 18.4 kgs (40.5 lbs)
Casing Color	Black (RAL 9005)

Keyboard Selection Supporting layouts

Ge keyboard integrated with touchpad



 Gb keyboard integrated with trackball




KVM Selection

(*) Stands for 17" or 19" LCD size


Matrix CAT6 KVM	Local	Remote		8-port	16-port	32-port
	1	1	1	-	NX11* - MC1116	NX11* - MC1132
1	1	2	-	NX11* - MC2116	NX11* - MC2132	
1	1	0	-	NX11* - MC0116	NX11* - MC0132	
1	2	0	-	NX11* - MC0216	NX11* - MC0232	
1	3	0	-	NX11* - MC0316	NX11* - MC0332	


Combo CAT6 KVM	Local	Remote		8-port	16-port	32-port
	1	0	1	NX11* - CIP8	NX11* - CIP16	NX11* - CIP32
1	1	0	NX11* - CCE8	NX11* - CCE16	NX11* - CCE32	
1	0	0	NX11* - C8	NX11* - C16	NX11* - C32	

Matrix DB-15 KVM	Local	Remote		8-port	16-port	32-port
	1	1	1	NX11* - M118	NX11* - M1116	-
1	1	2	NX11* - M218	NX11* - M2116	-	
1	1	0	NX11* - M018	NX11* - M0116	-	
1	2	0	NX11* - M028	NX11* - M0216	-	
1	3	0	NX11* - M038	NX11* - M0316	-	

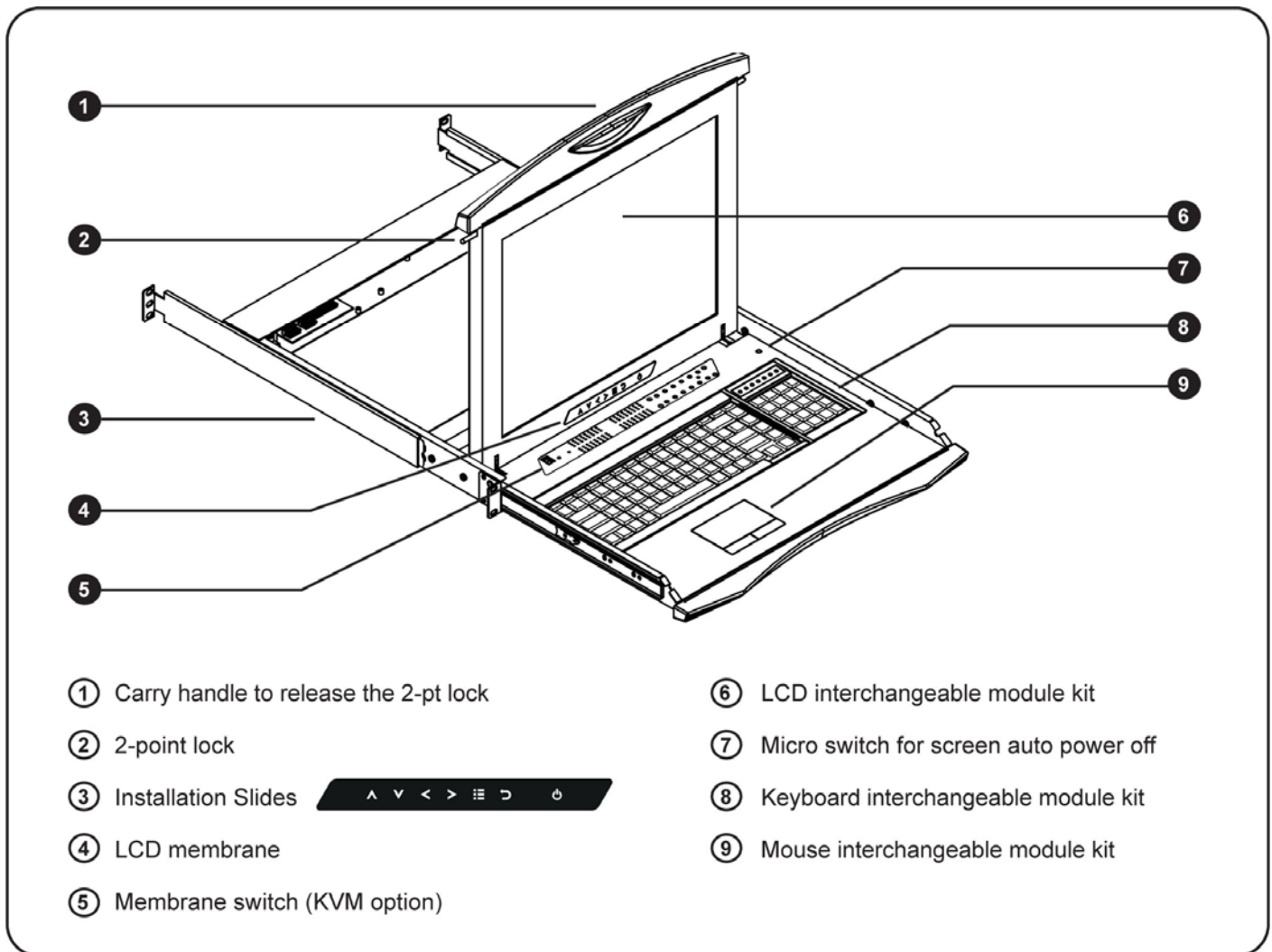
KVM Selection

(*) Stands for 17" or 19" LCD size

Combo DB-15 KVM	Local	Remote		8-port	16-port	32-port
	1	0	1	NX11*IP - 82	NX11*IP - 162	-
	1	1	0	NX11* - CE8	NX11* - CE16	-
	1	0	0	NX11* - S801	NX11* - S1601	-

DVI-D KVM	Local	Remote		12-port
	1	0	0	NX11* - D12

Structure Diagram

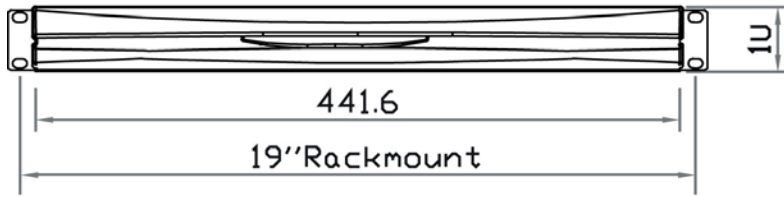


Model: NX119

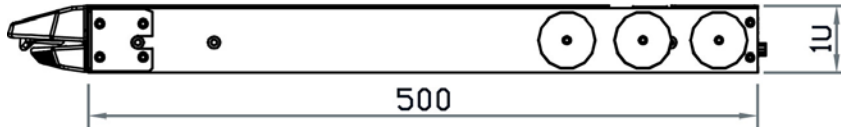


Dimension

Front View

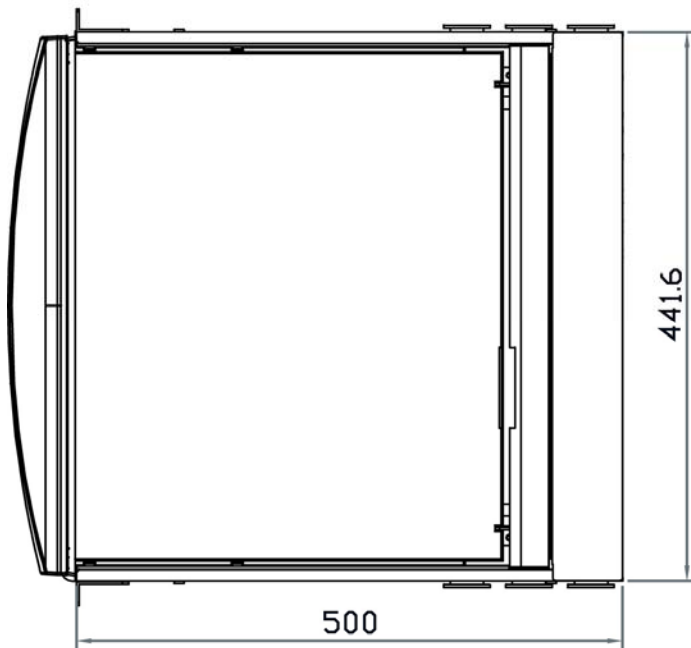


Side View



UNIT : mm
1mm = 0.03937 inch

Top View



Model	Product Dimension (W x D x H)	Packing Dimension (W x D x H)	Net Weight	Gross Weight
NX117	441.6 x 500 x 44 mm 17.4 x 19.7 x 1.73"	590 x 823 x 140 mm 23.2 x 32.4 x 5.5"	12.3 kg 27.1 lb	16.5 kg 36 lb
NX119	441.6 x 500 x 44 mm 17.4 x 19.7 x 1.73"	590 x 823 x 140 mm 23.2 x 32.4 x 5.5"	12.5 kg 27.5 lb	17 kg 37.4 lb