

#### With IP KVM Features:

- 8/16 port KVM over IP switch is 19" rack mount size design.
- Support DOS, Win3.X, Win95/98/98SE/2000/ME/SP, WinNT, Netware, Unix, Linux
- Support iMAC, Power MAC and Sun Microsystems with USB port (Need work with USB-PS/2 adapter)
- Hot Plug- Add PCs or Remove Connected PCs for Maintenance without Powering Down the KVM switch or PCs.
- High Video Quality- Resolution UP To 1920X1440 (local side), 1280X1024 (remote side)
- No Software Required-easy PC selection via On Screen Display Menu (OSD), Push Buttons, Hot Keys
- AT local console side-Support eight characters password protection and search PC server name
- At Remove console side-Use SSL protocol for any encrypted network traffic between itself and a connected client.
- Keyboard status restored when switching PCs LED Display for easy status monitoring
- Buzzer sound for switching port confirmation.

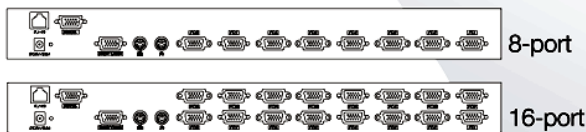
- Built-in one extra daisy chain port and no waste and PC port
- No DIP switch setting needed and auto detect daisy chain bank
- Manage serves around the world
- KVM (keyboard, video, mouse) access over IP and analogous telephone line.
- BIOS level access
- Automatically senses video resolution for best possible screen capture
- High-performance mouse tracking and synchronization.



#### KVM DETAIL SPECIFICATIONS:

|   |  |                       |           |
|---|--|-----------------------|-----------|
| PC Port                                       | 8 / 16   |                       |           |
| PC Port Connector (All Female Types)          | VGA HDBB 15-pin (shared w/ PS/2 keyboard & Mouse)  |                       |           |
| Console Port Connector (All Female Types)     | Local Console: PS/2 Keyboard Mini Din 6 pin<br>PS/2 Mouse Mini Din 6 pin<br>VGA HDBB 15pin<br>Remote Console: RJ-45 8P8C |                       |           |
| Daisy Chain Port Connector (All Female Types) | PS/2 Keyboard Mini Din 6 pin<br>PS/2 Mouse Mini Din 6 pin<br>VGA HDBB 15pin  |                       |           |
| LAN Port (RJ-45 8P8C)                         | 1<br>10BASE-T Ethernet uses Category 3/4/5/5E/6 UTP<br>100BASE-T Ethernet uses Category 5/5E/6 UTP                       |                       |           |
| PC Selection                                  | On Screen Display Menu, Hot Key, Push Button   |                       |           |
| VGA Resolution                                | Local Console: 1920 x 1440<br>Remote Console: 1280 x 1024  |                       |           |
| Serial Port (DB9 pin Male)                    | 1  | Keyboard Emulation    | PS/2      |
| Reset Button                                  | 1  | Mouse Emulation       | PS/2      |
| PC Port LED                                   | 8 / 16   | Daisy Chain MAX Level | 8 levels  |
| Bank 7 Segment LED                            | 1  | Max PC Connection     | 120 / 128 |
| On Screen Display Control                     | Yes  | Housing               | Metal     |
| Scan Intervals                                | 6~99 sec.  |                       |           |

#### Rear view



#### PACKAGE CONTENT:

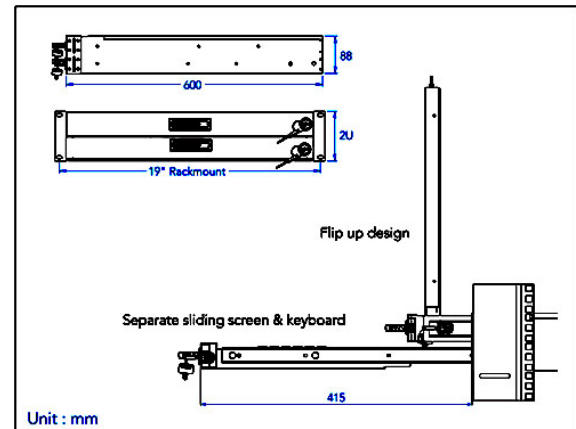
- (1) NetView IP KVM Switches unit
- (8/16) 3-in-one PS/2 and VGA KVM cable, 6-feet (8/16ports)
- (1) Pair of mounting screws for rear extension mounting brackets
- (1) Power Adapter 110/220V
- (1) US Power cord
- (1) User Manual

#### KEYBOARD SELECTION:

- "e" Notebook type keyboard with touch pad mouse
- "c" Cherry keyboard with trackball
- "b" Notebook type keyboard with three buttons trackball

#### LCD DISPLAY SPECIFICATIONS:

|                 |                                   |
|-----------------|-----------------------------------|
| Panel           | Samsung 17" LCD Panel             |
| Screen Type     | TFT                               |
| Display Area    | 337.92(H) x 270.34(V) mm          |
| Contrast Ratio  | 500:1                             |
| Viewing Angle   | 140°(H) x 120° (V)(Typ.)          |
| Resolution      | 1280 x 1024                       |
| Pixel Pitch     | 0.264(H) x 0.264(W) mm            |
| Response Time   | Tr=5ms, Tf=20ms (Typ.)            |
| Brightness      | 300 cd/m2                         |
| Panel Color     | 16.2M                             |
| Back Light      | 4 CCFTs                           |
| Storage Temp.   | -25°C~60°C                        |
| Operating Temp. | 0°C~50°C                          |
| MTBF            | 35,000 hours                      |
| Power Supply    | 110V~220V AC Input, 12V 5A Output |



#### DIMENSION & WEIGHT:

|                               |         |                   |
|-------------------------------|---------|-------------------|
| Product Dimension (W x D x H) | inch    | 17.4 x 23.6 x 3.5 |
|                               | cm      | 44.2 x 60 x 8.8   |
| Net / gross weight            | 8ports  | lbs 39.7 / 52.9   |
|                               |         | kg 18 / 24        |
|                               | 16ports | lbs 41.9 / 55.1   |
|                               |         | kg 19 / 25        |

#### ORDER INFORMATION:

|             |   |
|-------------|---|
| NVIP21782*  | 2U Rackmount 17" LCD keyboard drawer via IP w/ 8-port PS/2 KVM  |
| NVIP217162* | 2U Rackmount 17" LCD keyboard drawer via IP w/ 16-port PS/2 KVM |

\* Keyboard Selection