

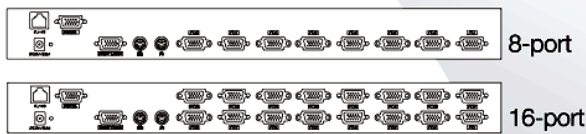
#### With IP KVM Features:

- 8/16 port KVM over IP switch is 19" rack mount size design.
- Support DOS, Win3.X, Win95/98/98SE/2000/ME/SP, WinNT, Netware, Unix, Linux
- Support iMAC, Power MAC and Sun Microsystems with USB port (Need work with USB-PS/2 adapter)
- Hot Plug- Add PCs or Remove Connected PCs for Maintenance without Powering Down the KVM switch or PCs.
- High Video Quality- Resolution UP To 1920X1440 (local side), 1280X1024 (remote side)
- No Software Required-easy PC selection via On Screen Display Menu (OSD), Push Buttons, Hot Keys
- AT local console side-Support eight characters password protection and search PC server name
- At Remove console side-Use SSL protocol for any encrypted network traffic between itself and a connected client.
- Keyboard status restored when switching PCs LED Display for easy status monitoring
- Buzzer sound for switching port confirmation.

#### KVM DETAIL SPECIFICATIONS:

PC Port	8 / 16		
PC Port Connector (All Female Types)	VGA HDDB 15-pin (shared w/ PS/2 keyboard & Mouse)		
Console Port Connector (All Female Types)	Local Console: PS/2 Keyboard Mini Din 6 pin PS/2 Mouse Mini Din 6 pin VGA HDDB 15pin Remote Console: RJ-45 8P8C		
Daisy Chain Port Connector (All Female Types)	PS/2 Keyboard Mini Din 6 pin PS/2 Mouse Mini Din 6 pin VGA HDDB 15pin		
LAN Port (RJ-45 8P8C)	1 10BASE-T Ethernet uses Category 3/4/5/5E/6 UTP 100BASE-T Ethernet uses Category 5/5E/6 UTP		
PC Selection	On Screen Display Menu, Hot Key, Push Button		
VGA Resolution	Local Console: 1920 x 1440 Remote Console: 1280 x 1024		
Serial Port (DB9 pin Male)	1	Keyboard Emulation	PS/2
Reset Button	1	Mouse Emulation	PS/2
PC Port LED	8 / 16	Daisy Chain MAX Level	8 levels
Bank 7 Segment LED	1	Max PC Connection	120 / 128
On Screen Display Control	Yes	Housing	Metal
Scan Intervals	6~99 sec.		

#### Rear view



#### PACKAGE CONTENT:

- (1) NetView IP KVM Switches unit
- (8/16) 3-in-one PS/2 and VGA KVM cable, 6-feet (8/16ports)
- (1) Pair of mounting screws for rear extension mounting brackets
- (1) Power Adapter 110/220V
- (1) US Power cord
- (1) User Manual

#### KEYBOARD SELECTION:

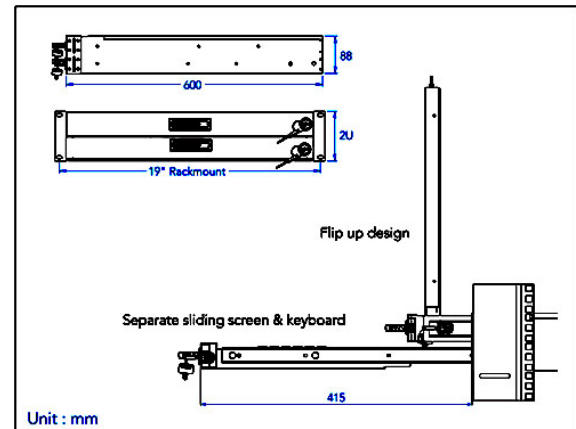
- "e" Notebook type keyboard with touch pad mouse
- "c" Cherry keyboard with trackball
- "b" Notebook type keyboard with three buttons trackball

- Built-in one extra daisy chain port and no waste and PC port
- No DIP switch setting needed and auto detect daisy chain bank
- Manage serves around the world
- KVM (keyboard, video, mouse) access over IP and analogous telephone line.
- BIOS level access
- Automatically senses video resolution for best possible screen capture
- High-performance mouse tracking and synchronization.



#### LCD DISPLAY SPECIFICATIONS:

Panel	Samsung 19" LCD Panel
Screen Type	TFT
Display Area	386.4(H) x 289.8(V) mm
Contrast Ratio	700:1
Viewing Angle	170°(H) x 170° (V)(Typ.)
Resolution	1280 x 1024
Pixel Pitch	0.242(H) x 0.242(W) mm
Response Time	Tr=15ms, Tf=10ms (Typ.)
Brightness	250 cd/m2
Panel Color	16.7M
Back Light	4 CCFTs
Storage Temp.	-25°C~60°C
Operating Temp.	0°C~50°C
MTBF	35,000 hours
Power Supply	110V~220V AC Input, 12V 5A Output



#### DIMENSION & WEIGHT:

Product Dimension (W x D x H)	inch	17.4 x 23.6 x 3.5
	cm	44.2 x 60 x 8.8
Net / gross weight	8ports	lbs 41.9 / 55.1
	16ports	kg 19 / 25
		lbs 44.1 / 57.2
		kg 20 / 26

#### ORDER INFORMATION:

- NVIP21982\* 2U Rackmount 19" LCD keyboard drawer via IP w/ 8-port PS/2 KVM
- NVIP219162\* 2U Rackmount 19" LCD keyboard drawer via IP w/ 16-port PS/2 KVM

\* Keyboard Selection