

RUGGED MILITARY PANEL PC

20.1" Rugged Touch Server, Dual Xeon Scalable Platinum 8153 32 Cores in Total, 2.0~2.8GHz, 128GB ECC RAM, 1TB SSD, 2 Optical Fiber LAN, Quadro P4000 Graphics card, 2 x USB, 1 x PS2, AC 90~264V



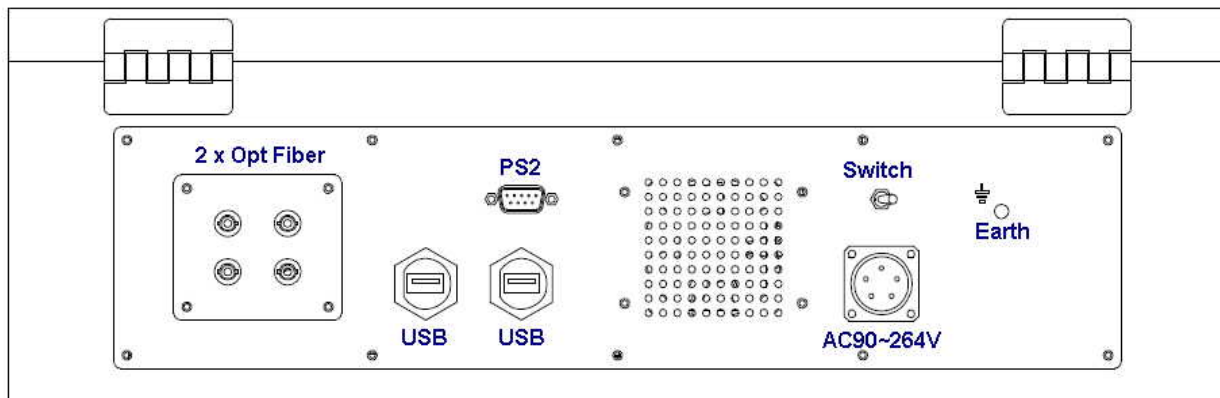
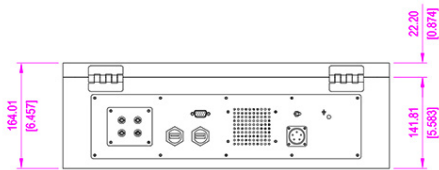
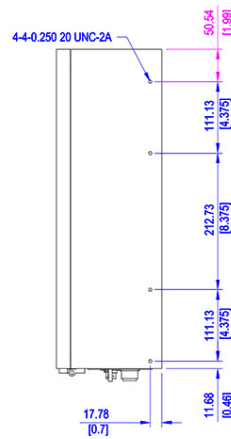
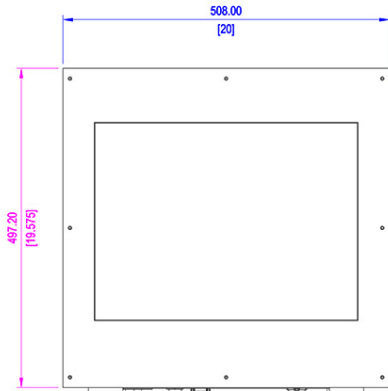
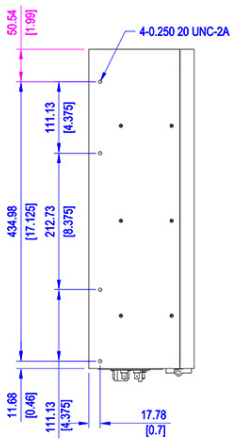
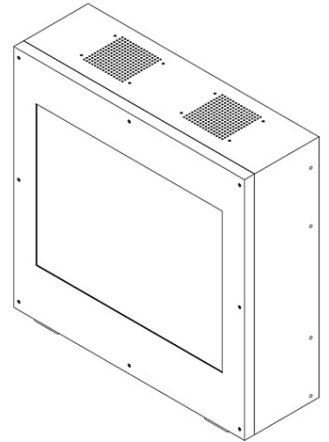
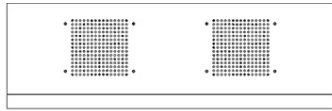
Model: Nmil-2010XPC-LM01-28-V1-P4

SPECIFICATIONS:

LCD	LCD Size	20.1" TFT
	Resolution	1600 x 1200
	Backlight	LED backlight
	Brightness	500 cd/m2
	View Angle	89/89/89/89 Ultra wide angle
	Display Color	16.7 M
Touch	Touch Type	5-Wire Resistive Touch
	Touch resolution	4096 x 4096
EMI/EMC	EMI Shielding	Yes, EMI ITO shielding
Optical Bonding	Optical Bonding	Yes, with silicon Optical Bonding
Enclosure	Enclosure Type	Custom design enclosure
	Material	Rugged galvanized steel
	Color	Anti-rust coated in black color
Mainboard	Grade	Server grade with Dual Xeon processor
	Processor Type	Intel new Scalable processors
	Chipset	Intel latest C622 chipset
RAID	RAID Mode	Support RAID 0, 1, 5, 10 levels
Processor	Processor Family	Intel Xeon new Scalable Families
	Part Number	Xeon Platinum 8153, 16 cores each
	No. of Core	Dual 16 Cores, 32 cores in total
	Speed & Cache	2.0 ~ 2.8GHz, 19MB cache memory
RAM	System Memory	128GB DDR4 2666/2400 MHz SDRAM
	Memory Type	ECC RAM for server application
	No. of Slot	16 Slots in total
	Expandability	Expandable up to 1TB

Storage	SSD	1TB SSD
Graphics	Graphics Card	nVidia Quadro P4000 high-end graphics card
	Interface	PCI Express x16
	I/O Port	4 x DP ports
I/O Port	Optic Fiber LAN	2 x Optical Fiber LAN ports
	Input / Output	1 x Input and 1 x Output with ST Female
	Connector Type	ST Female to ST Female
Power Consumption	Power Consumption	Around 250 Watts in total
Power Supply	Power Input	Power Input : AC 90 ~ 264V wide range input
	Power Supply	600 Watts Industrial grade Power Supply
Cooling Fan	Cooling Fan	Built in cooling fans
Dimensions	Dimensions	508 (W) x 497.2 (H) x 164 (D) mm
O.S.	Operating System	Support RHEL, Windows Server, Linux etc.

MECHANICAL DRAWINGS



I/O Ports at Bottom