

RUGGED MILITARY PANEL PC

Rugged 8th Generation i7 Server
64GB DDR4 RAM, VGA, DVI, HDMI, DP, 4 x USB3.1,
2 x USB2.0, 2 x COM, 3 x LAN, 3 x Audio, 1 x PS2,
3 x Audio, DC16~30V

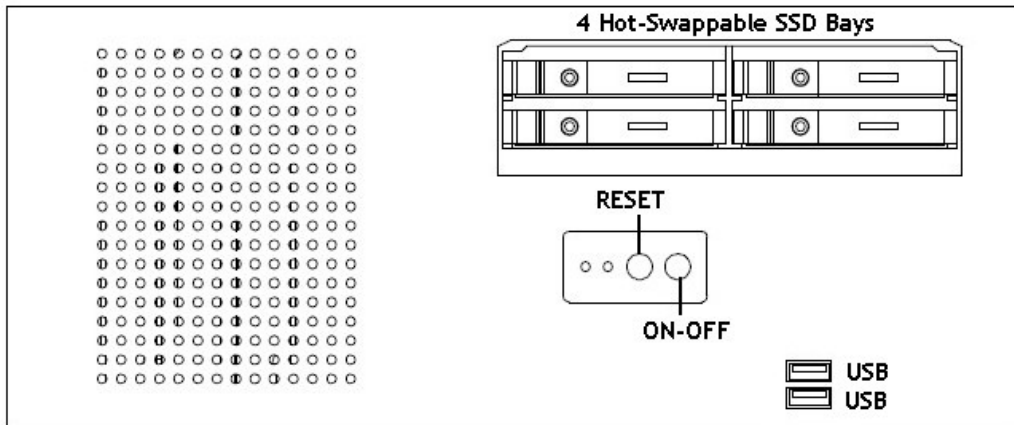


Model: Nmil-B-PC-8700

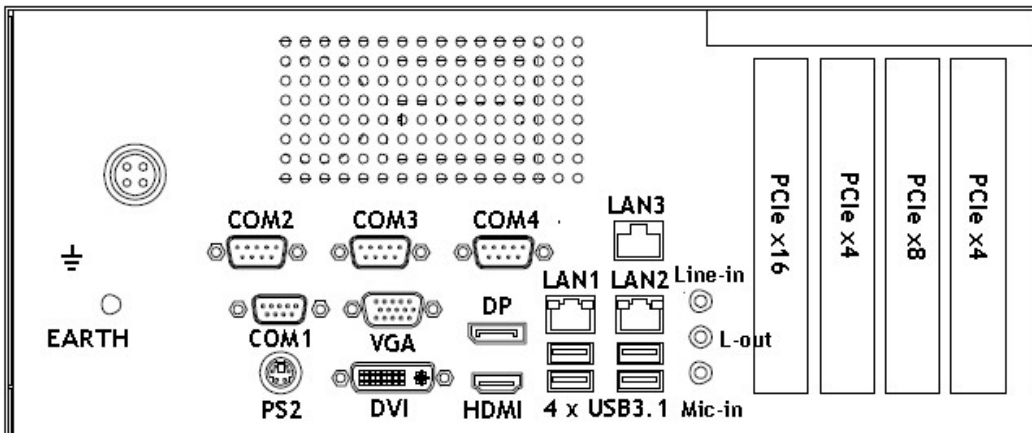
SPECIFICATIONS:

Chassis	Chassis material	Rugged steel construction with anti-corrosion treatment
	Height	133 mm (3U) height
	Hot-Swap Disk Bay	4 x 2.5" SSD/HDD Hot-swappable Disk Bay, each bay has individual keylock
Mainboard	Grade	Military-Industrial Grade
Chipset	Chipset	Intel new Q370
Processor	Part No.	Intel 8 th Generation i7 8700T
	No. of Core	6 Cores / 12 Threads
	Clock Speed	2.4~4.0 GHz
	Cache memory	12MB smart cache memory
	Power Consump.	35W / 25W
	Graphics chip	Intel UHD 630
Memory	RAM	64GB DDR4 2666/2400 MHz
	Memory Type	Long DIMM
	Max. Memory	Expansion up to 64GB
Storage	SSD/HDD	500GB HDD, 2.5"
Hot-Swap Bay	No. of Bay	4 x Hot-Swappable SSD/HDD bays
	Bay Size	Each bay supports 2.5" slim type SSD/HDD
	Keylock	Each bay with a key-lock
Server RAID	RAID Level	Support RAID 0, 1, 5, 10 levels
I/O Port At Rear	VGA	1 x VGA support up to 1920 x 1200
	DVI	1 x DVI support up to 4096 x 2160 at 24Hz
	HDMI	1 x HDMI support up to 4096 x 2160 at 60Hz
	DP	1 x DP support up to 4096 x 2304 at 60Hz
	LAN	3 x 10/100/1000 Base-T LAN
	USB	4 x USB3.1
	COM	1 x RS232/422/485, 1 x RS232
	Audio	1 x Mic-in, 1 x Line-in, 1 x Speaker-Out
	PS2	1 x Combo PS2 support PS2 mouse and keyboard
No. of Display	Max. Display Support	Up to 3 Independent Displays

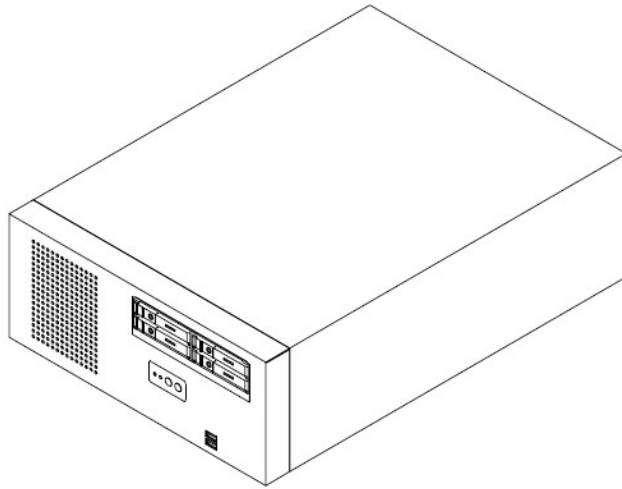
Expansion Slot	PCI-Express	1 x PCI-Express x16 slot 1 x PCI-Express x8 slot
		2 x PCI-Express x4 slot
	Mini PCI-Express	1 x Full/Half Size mini PCI-e slot
	M.2	1 x 2242 / 2260 / 2280 M.2 slot 1 x 2230 M.2 slot
Power Input	DC Input	28V Typical, DC 16~30V
Power Supply	DC Input	DC 16~30V
	Power Capacity	160 Watts
O.S.	Windows	Windows 7, 8, 10
	Linux	Ubuntu, Fedora, Red Hat Linux, etc.
Environmental	Operating Temperature	-10 to 50 degree C
	Storage Temperature	-30 to +80 degree C
	Humidity	0% to 95% Relative Humidity, non-condensing
	Altitude	10,000 feet above mean sea level



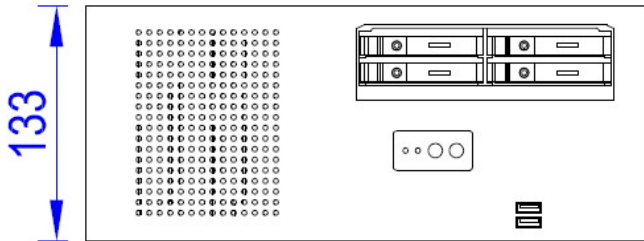
I/O Details at Front



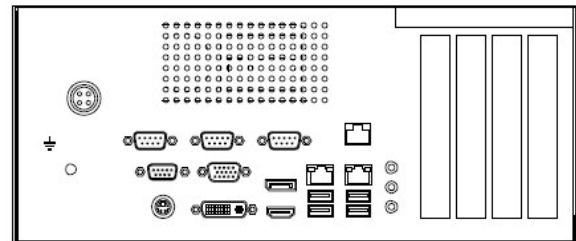
I/O Ports at Rear



3D View



Front View



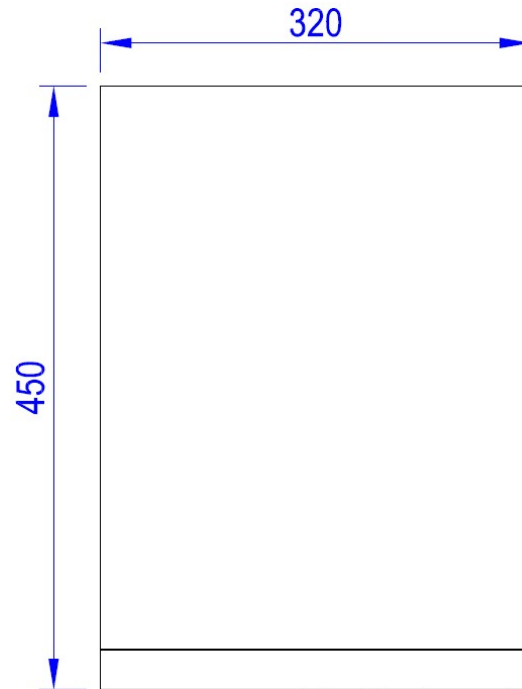
Rear View



Side View 1



Side View 2



Top View