

RUGGED MILITARY PANEL PC

17.3" Rugged SDI Display 1920x1080 Full HD, 750 cd/m2, 1000:1, I/O: VGA+HDMI, Temp: -20 ~ 70°C
Support both Front Mount and VESA Mount



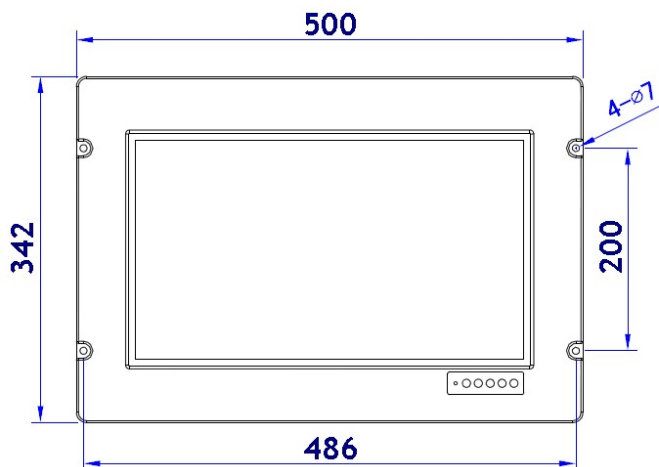
Model: Nmil-W1730WT

SPECIFICATIONS:

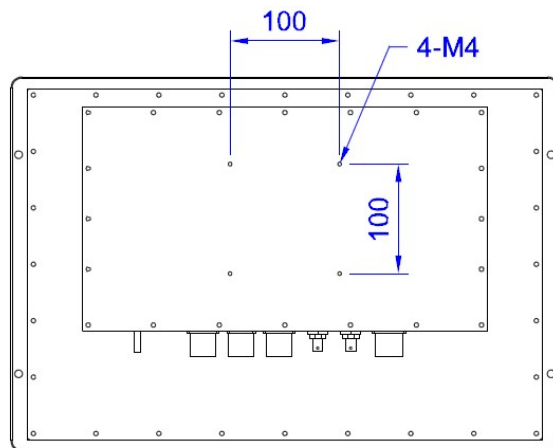
LCD Display	LCD Size	17.3 TFT
	LCD Module Grade	Military grade LCD module
	Operating Temperature	-20 ~ +70°C
	Storage Temperature	-30 ~ +75°C
	Backlight	LED backlight
	Resolution	1920 x 1080 Full HD
	Brightness	750 cd/m2
	Contrast Ratio	1000 : 1
	View Angle	80 / 80 / 60 / 80 degree
	Display Color	16.7 Million
Touch Type	Touch Technology	Projective Capacitive Touch
	No. of Touch Point	10 Points
	Scratch Resistant	Yes, scratch resistant
I/O Port	I/O Port	HDMI : 1 x HDMI, IP-67 military circular connector and dust cap BNC : 1 x BNC, IP-67 military circular connector and dust cap DC Power : 1 x DC9~32V power connector with military circular connector and dust cap.
Mechanical	Front Bezel	Thick aluminum front bezel
	Chassis material	Steel construction
	Fanless	100% Fanless design
	Ingress Protection	100% IP-67 water-proof
	MIL-STD-1275	MIL-STD-1275 compliant
Heater Module	Heater Module	Built-in Nagasaki-patented heater module
	Auto Switch On	Auto switch on when ambient temperature drops down to 5 degree C
	Auto Switch Off	Auto switch off when ambient temperature rises up to 16 degree C
	Safety	Extremely safety heater module, no electric leak, no melt-down

I/O Port	VGA	1 x VGA with MIL-26482 or 38999 connector and cable
	HDMI	1 x HDMI with MIL-26482 or 38999 connector and cable
	USB	1 x USB for touch with MIL-26482 or 38999 connector and cable
	HD-SDI Input	1 x HD-SDI connector for input
	HD-SDI Loop Out	1 x HD-SDI connector for Loop-out
	DC Power	1 x DC with MIL-26482 or 38999 connector and cable
Control Button	OSD Button Brightness Dimming Range	OSD Button : On-Off Switch, Menu, Up, Down, Auto Dimming Control : by UP and Down 100% - 0% in 256 levels
Mounting	Front Mount	Support Front Mount
	Wall Mount	Support VESA-100 Wall mount
Power Consumption	Power Consumption	Around 20 Watts
Power Supply	Power Supply	Built-in military grade DC 9~36V power supply
	Polarity Reverse Protect	Polarity Reverse Protection, auto recovery
	Isolation	Fully isolated on primary and secondary
	MIL-STD-1275	MIL-STD-1275 compliant
Heater Module	Heater Module	Built-in Nagasaki-patented heater module
	Auto Switch On	Auto switch on when ambient temperature drops down to 5 degree C
	Auto Switch Off	Auto switch off when ambient temperature rises up to 16 degree C
	Safety	Extremely safety heater module, no electric leak, no melt-down
Dimension	W x H x D	500 (W) x 342 (H) x 82 (D) mm

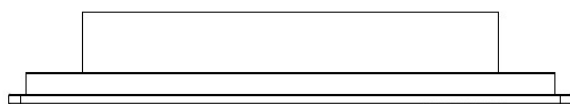
MECHANICAL DRAWINGS



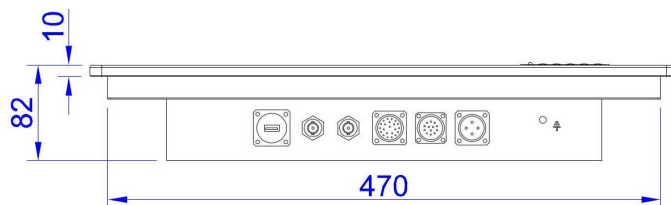
Front View



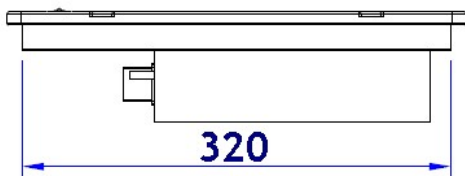
Rear View



Top View



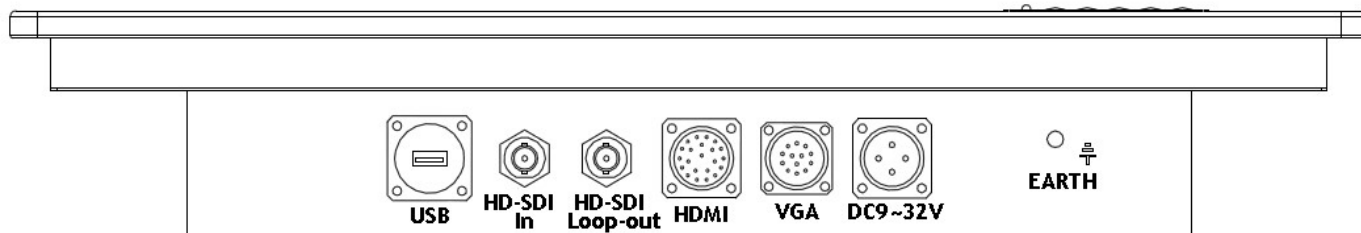
Bottom View



Side View 1



Side View 2



I/O Ports Details