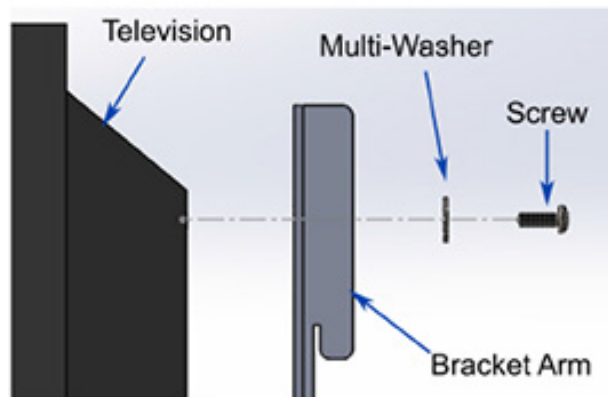
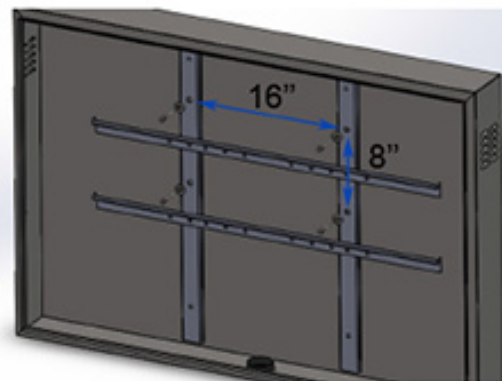


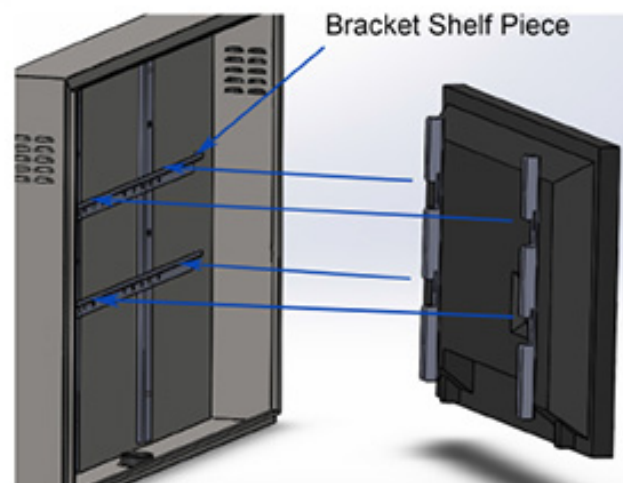
OE Indoor/Outdoor Protective Enclosures Mounting Instruction/Manual.

Step 1: Use the 4 mounting holes that go through the back of the enclosures to mount the enclosure to the wall. Use heavy duty lag screws to attach enclosure to a structurally sound area of your wall such as a stud or concrete block. More holes may be drilled through the back of the enclosure as needed for mounting to a wall.

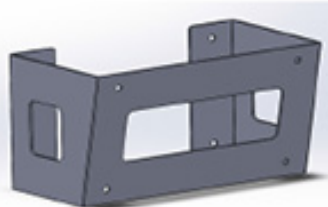


Step 2: Attach the two bracket arms to the back of the LCD monitor. Ensure that the bracket arms are attached vertically on the back of the screen.

Step 3: Now that the two vertical bracket arms are attached to the back of the LCD monitor, place the monitor inside the enclosure and hook the top end of the two vertical bracket arms onto the upper lip of the bracket shelf piece. Then hook the bracket arms onto the bottom bracket shelf piece.



Lexan Window Cleaning Tips: Use very mild, non-abrasive soap with warm water on a soft sponge or wool cloth (do NOT use paper or paper towels). Rub lightly, side to side rather than in circles. An air compressor works great for dust removal.



Note: Optional Exterior tilt mount attaches to the wall and back of enclosure to provide a 15 degree downward tilt.