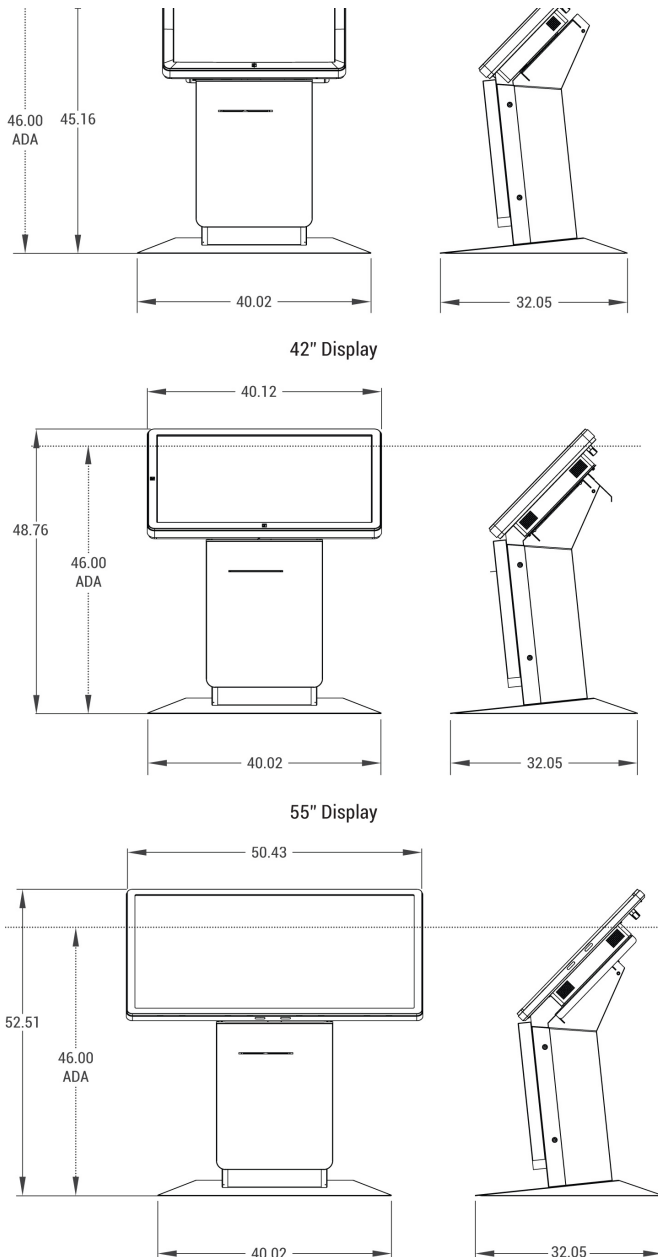


# LANDSCAPE MODULAR INTERACTIVE DIGITAL SIGNAGE KIOSK

Modular Interactive Digital Signage Kiosk for Any Environment  
Features Industrial Quality LCD's Ranging from 32" to 55"

Model: **OPK3200L / 4200L / 5500L**

This stunning pedestal style kiosk was developed for interactive digital signage applications, but due to its incredible adaptability, the OPK Series is well-suited for a number of other capacities. The OPK Series features high grade digital signage monitors built for 24/7, year round operation. This kiosk can accommodate virtually any single or multi-touch LCD monitor with the option to orient the display to portrait or landscape mode. Because its capacity to accommodate larger monitors, it allows dual use of the monitor through the ability to split the screen for applications such as retail and way-finding. Performance on a pedestal; the OPK Series can be configured with peripherals including; thermal printers, a media player device, magnetic and smart card readers, proximity sensors and QR/barcode scanners.



## SPECIFICATIONS

- 32", 42" or 55" LCD
- Single or Multi-Touch Technology
- Durable Powder Coat Paint Finish
- 16 Gauge Galvanized Steel
- Dual Security Locks
- High Volume Cooling Fan
- ADA Compliant
- Internal 6-outlet power strip w/ surge protection
- Topple resistant base plate with ability to bolt to ground

## Optional Components:

- Dell Optiplex Business Line PC
- Insert or Swipe Style Credit Card Reader
- Amplified Stereo Speakers
- WiFi or Cellular Connection
- Barcode Scanner 1D, 2D, PDF, and QR
- 80mm Thermal Printer (coupon/receipt)
- 8.5" Thermal Printer (full page)
- Rear sign panel with or without printed graphics

## Dimensions:

Depth: 32.2"  
Base Plate: 40.02"W x 32.05"D  
Weight  
32" Landscape: 137lbs  
42" Landscape: 148lbs  
55" Landscape: 191lbs

i-Tech Company LLC

TOLL FREE: (888) 483-2418 • EMAIL: [info@iTechLCD.com](mailto:info@iTechLCD.com) • WEB: [www.iTechLCD.com](http://www.iTechLCD.com)

