

Plastic case, True Flat 8" LCD monitor with Resistive Touch USB controller, USB video input 800 x 600, 250 nits, 500: 1 202\*163\*34.5(mm) 79.5\*64.2\*13.6(inch) 0.8Kgs (1.76lbs)



## Model: OTP0800B

### FEATURES

- Support Resistive Touch
- USB or VGA Interface Available Optional Die-Casting Aluminum Base
- Easy for Installation - One USB Cable Needed
- Best Choice for Space Limited Retail / Hospitality Settings
- Spill Proof and Anti-Dust



USB Interface Available



VGA Interface Available



75 x 75mm VESA Wall Mount



Optional Die-Casting Stand

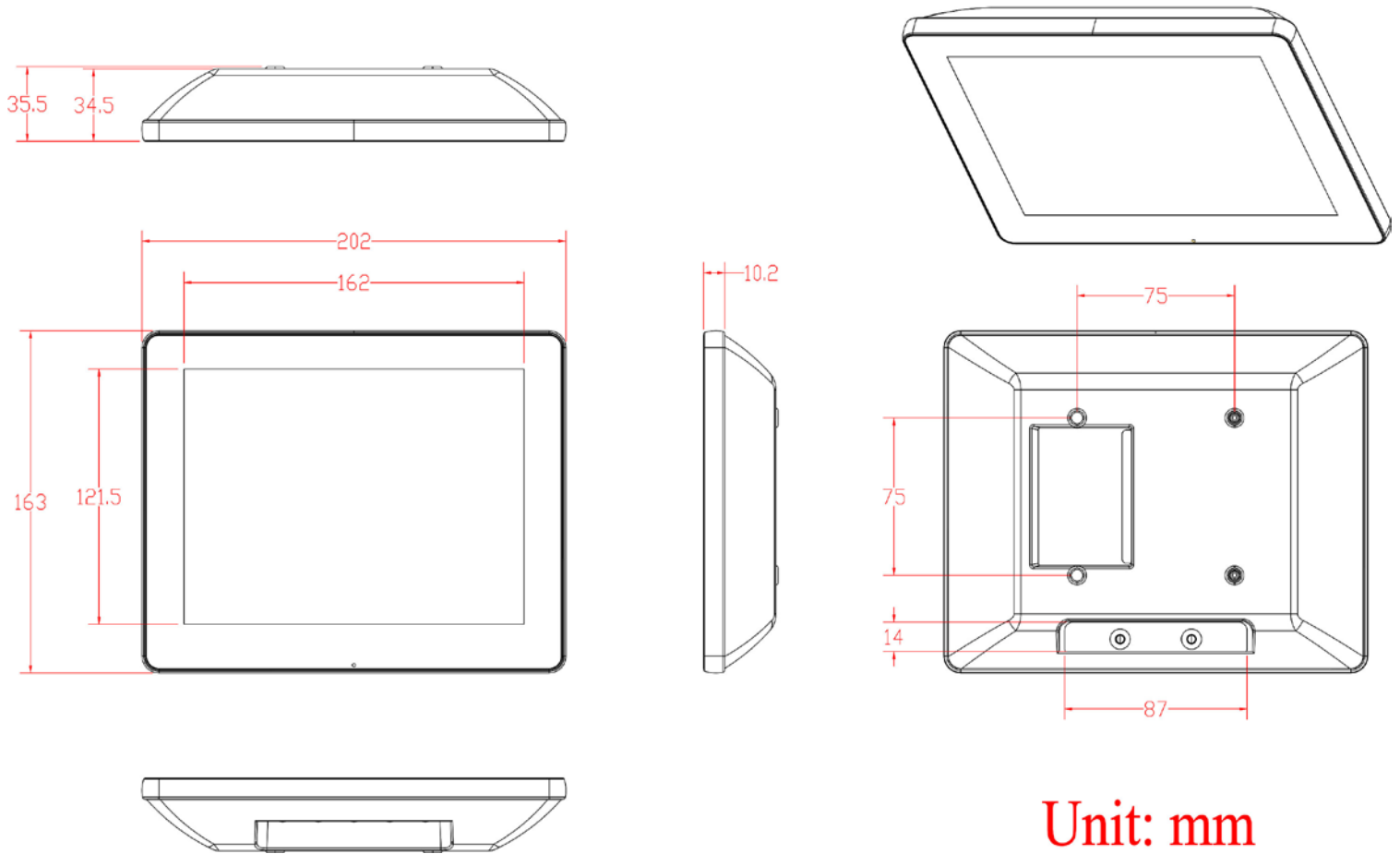
### Technical Specifications

<b>Display Size</b>	8"
<b>Optimal Resolution</b>	800 x 600
<b>Panel Brightness</b>	350 cd/m2 (typ)
<b>Contrast Ratio</b>	500:1 (typ)
<b>Response Time</b>	25 ms (typ)
<b>Viewing Angle (L/R/U/D)</b>	70 / 70 / 50 / 70
<b>Tilt Angle</b>	N/A
<b>Input Video signal</b>	USB B Type
<b>Touch</b>	Resistive Touch, USB interface
<b>Power consumption</b>	2.5W
<b>Input Frequency</b>	Horizontal: 31.5-60.2 kHz ; Vertical :56.3Hz~75Hz
<b>Power supply</b>	DC 5V +/- 10%
<b>Temperature</b>	Operating : 0°C~40°C ; Storage : -10°C~50°C
<b>Humidity</b>	Operating : 20%~80% ; Storage : 10%~90%
<b>Weight</b>	0.8Kgs (1.76lbs)
<b>Physical Dimension WxHxD</b>	202*163*34.5(mm) 79.5*64.2*13.6(inch)
<b>Optional</b>	White, Wall Mount Kit, Stand

\* This specification is subject to change without prior notice.



## MECHANICAL DRAWING



Unit: mm