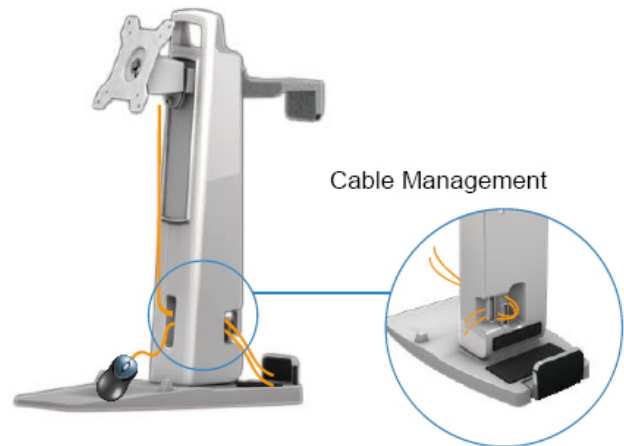
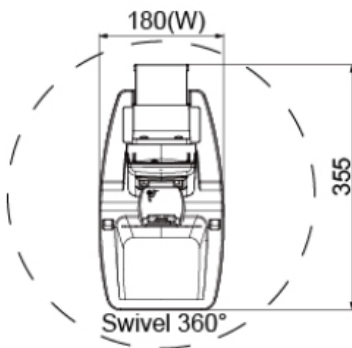




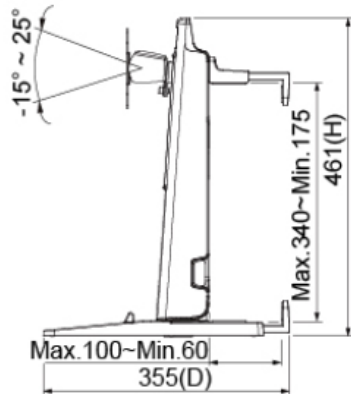
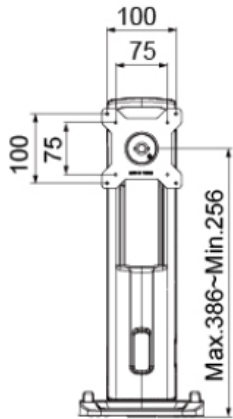
SPECIFICATION	
Mounting Pattern	100x100 / 75x75 mm
Screw Type	M4
Material	Steel/Plastic/Aluminum
Dimension(W*H*D)	180*461*355mm(7.09"x18.15"x13.99")
Weight(Net)	4.30 kg (9.48lbs)
Swivel(Hinge)	360°
Tilt(Hinge)	+25° / -15°
Support Weight(Range)	6~12Kg(13.2~26.5lbs)
Support Flat Panel Size	≤24"
Rotate(Pivot)	360°
Height Adjustment Range	130mm (5.12")



Model: PN-S200L



Cable Management



CPU size:

