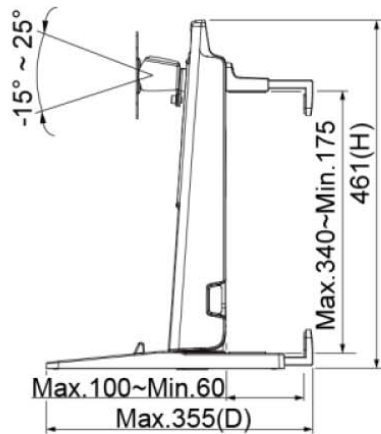
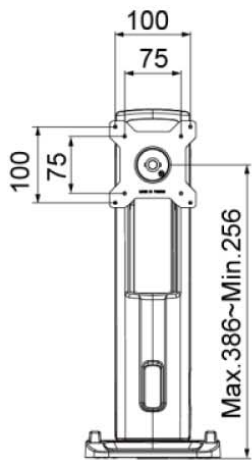
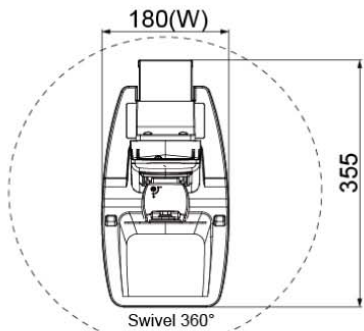




| SPECIFICATION | |
|-------------------------|------------------------------------|
| Mounting Pattern | 100x100 / 75x75 mm |
| Screw Type | M4 |
| Material | Steel/Plastic/Aluminum |
| Dimension(W*H*D) | 180*461*355mm(7.09"x18.15"x13.99") |
| Weight(Net) | 4.30 kg (9.48lbs) |
| Swivel(Hinge) | 360° |
| Tilt(Hinge) | +25° / -15° |
| Support Weight(Range) | 2~8Kg(4.4~17.6lbs) |
| Support Flat Panel Size | 24" |
| Rotate(Pivot) | 360° |
| Height Adjustment Range | 130mm (5.12") |



Model: PN-S200



CPU size:

