

Front IP65 Fanless PANEL PC

Front IP65 15" Panel PC Intel Fan-less Panel PC Core i3 CPU, 4G DDR3 / 320G SATA touchscreen Super slim Design and Piano Painting Bezel with VESA Mount, Lan 10/100/1000 Base-T Ethernet VGA Port 1, Serial Port x 3, USB Port x 4 RJ-45 x 1, Expansion Slot x 1 Power Supply 84w

Model: **PNK1500-i3**

FEATURES:

- Intel Fan-less Panel PC
- 15" TFT LCD with Touch Screen
- Super Slim Design
- Piano-painting Bezel VESA Mountable

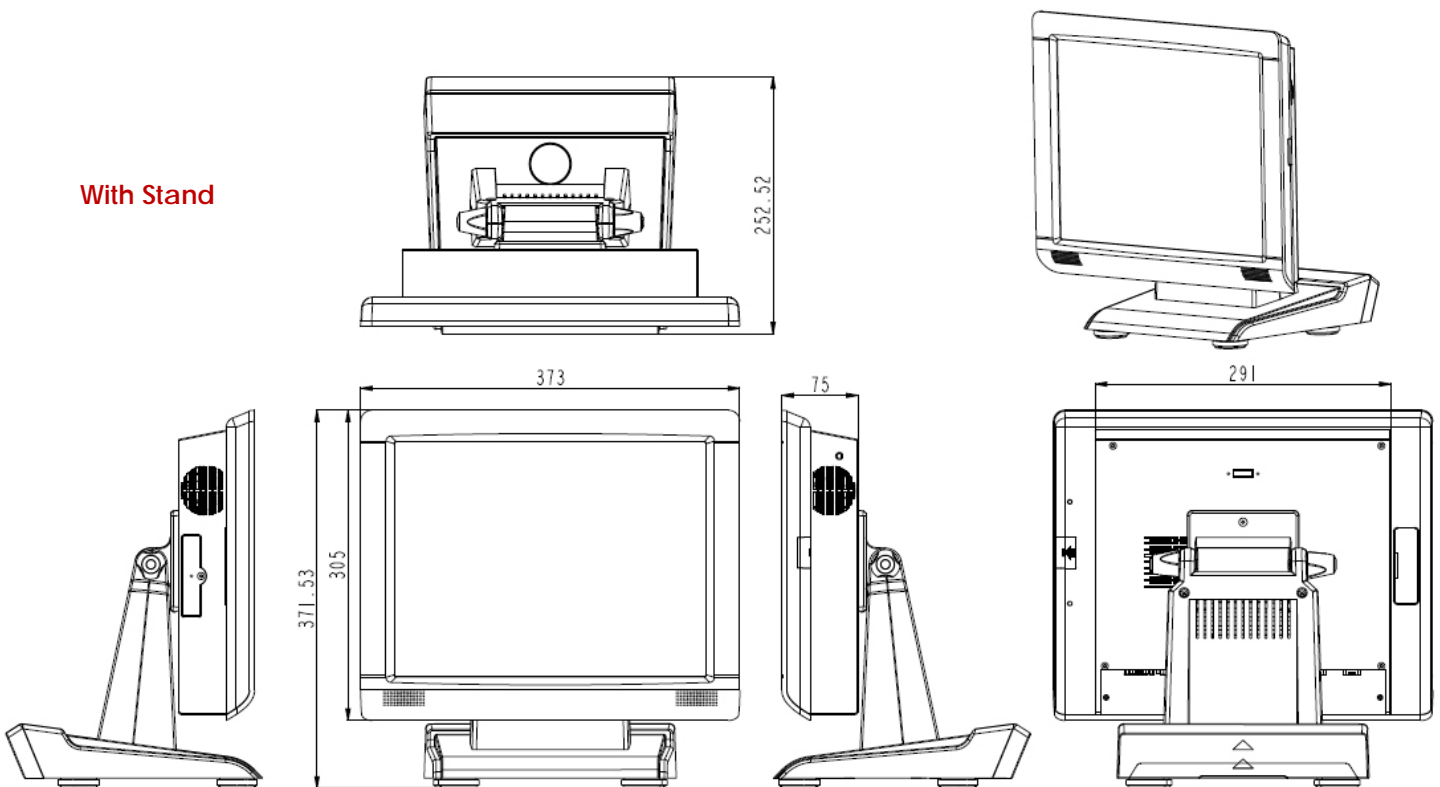
SPECIFICATIONS:

Monitor Size	15"
Touch Panel	Resistive / Capacitive Touch
CPU	Intel Core i3
Memory	4GB DDR3 RAM
Chipset	Intel 945/ NM10
Storage Device	2.5" 320GB SATA HDD
Lan	10/100/1000 Base-T Ethernet
VGA Port	1
Serial Port	4
USB Port	4
RJ-45	1
Expansion Slot	1
Power Supply	84w
Optional Device	* WiFi b+g with Antenna *Option Resistive Touch



MECHANICAL DRAWINGS:

With Stand



Without Stand

