

Front Stainless PANEL PC

15" Intel Core i3 PANEL PC

15" Panel PC Fanless Front Stainless Panel i3-3120ME,
2.4Ghz, 2G DDR2 320G SATA 3xCOM / 4xUSB / LPT / VGA /
LAN / IP65 in front with Resistive Touch HDD Anti-vibration.
(Mounting: VESA/Surface mount Only)

Model: **PNPC1500-i3**

FEATURES:

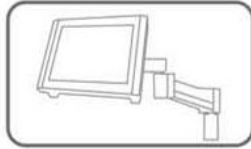
Built-in Speaker



IP-54
Water Splash Compliant



VESA-Mounting

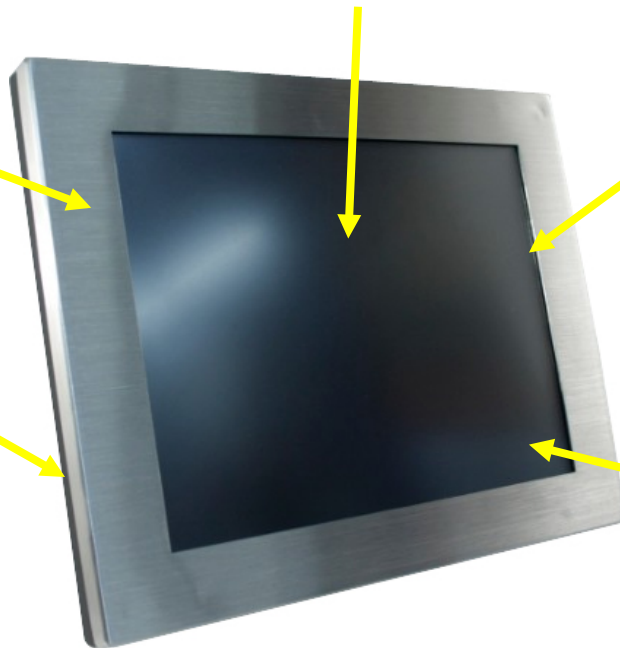


Panel PC: all in one PC with stainless steel Front bezel.

Stainless Steel Front Bezel:

Reduced dirt adhesion for easier cleaning and maintenance

Built in Speakers at the side



IP65/NEMA4:

Front Water and dust proof. Totally protected against dust, Protected against low pressure jets if water from all directions, limited ingress permitted

5 Wire Resistive Touch:

long life. Its durability and reliability are the features which make it enable to incorporate in heavy industry machinery, commercial markets and electronic equipment



Side Easy Access I/O:

COM3

Side ON/OFF.

LED Light



Easy Install HDD Tray:
One screw away to remove the HDD easy for access and service

VESA mounting at the back

SPECIFICATIONS:

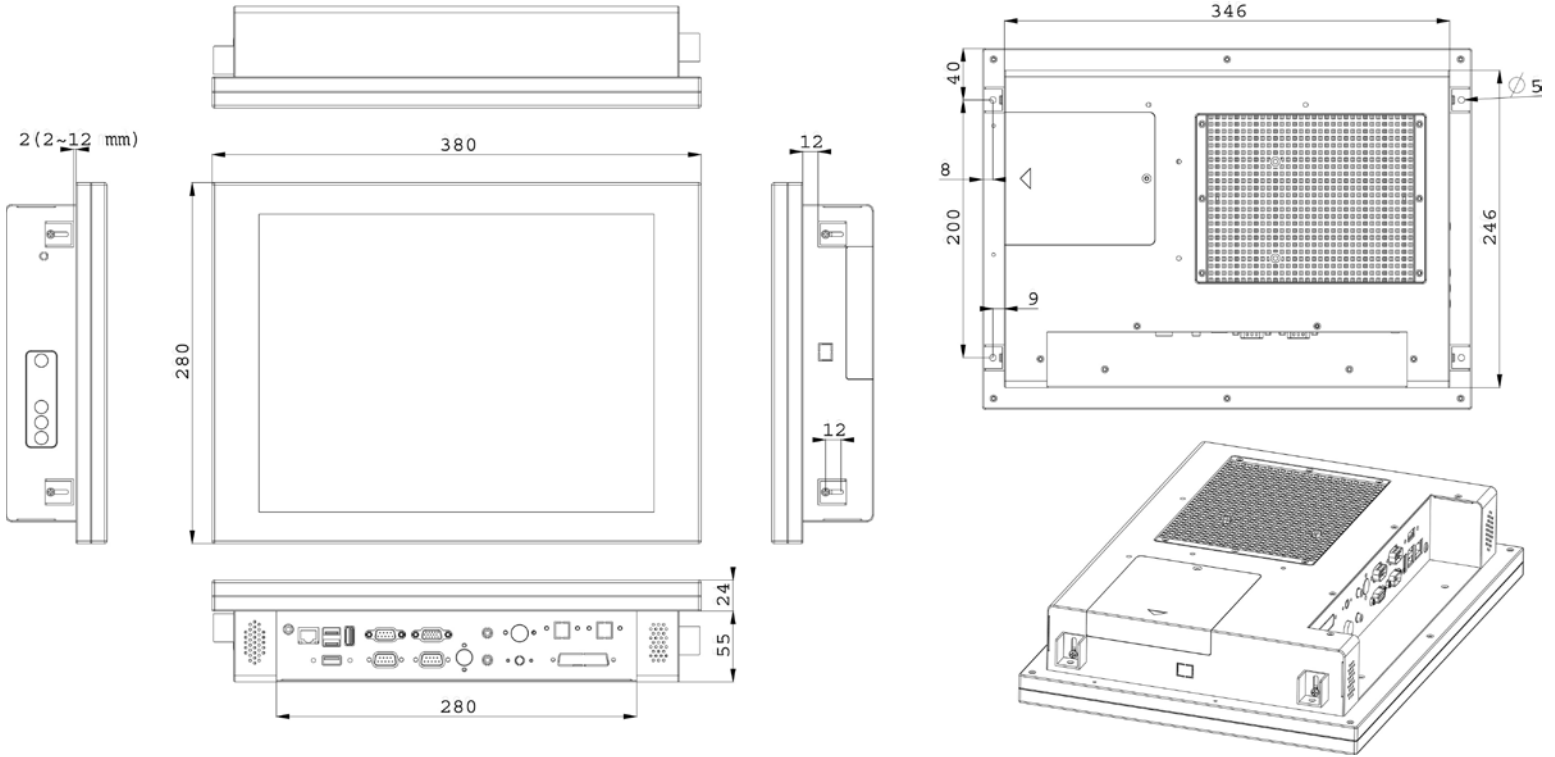
System	
Motherboard Type	Intel
Form Factor	Mini ITX
System Chipset	Intel945GM + ICH7M
CPU Supporting	Intel i3-3120ME 2.4Ghz
FSB	667MHz
DIMM Socket	2x 240-pin dual-channel DDR2/667 up to 4GB; default 1GB
Graphic	Integrated Intel 945GM
Audio	Realtek ALC883 HD Audio
LAN Controller	Dual 10/100 Base-T Ethernet
I/O Connector	RJ-45 x2, Serial Port x4 (default 1), USB Port x4. VGA Port x1, HDTV-out x1, PS/2 Mini DIN Keyboard Port & Mouse Port, Mini PCI

Display	
Size	15" TFT LCD
Contrast Ratio	450:1
Brightness	250cd/m2
Resolution	1024 x 768

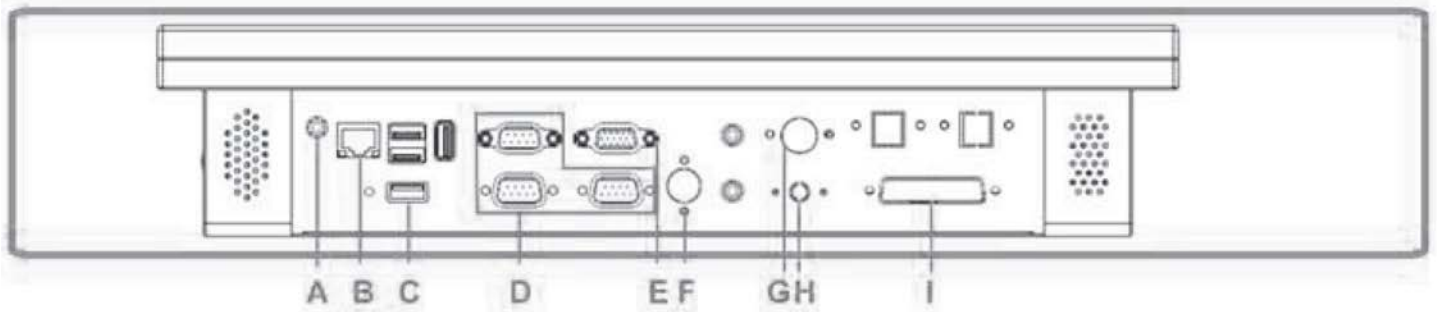
Mechanical	
Touch	default Taiwan 5-wire Resistive Touch or ELO by option
Device	2.5" SATA HDD x1, default 80GB
Power Supply	60W ATX Power Supply
Bezel	Stainless (Optional Black Plastic Bezel)
Dimension	280 x 380 x 82mm
Temperature &	0°C to 40°C, 10% to 90% non-condensin
Vibration	5~17,0.1"double amplitude displacement,17~640Hz
Shock	10-25Hz(X,Y,Z direction 2G,30 minutes)



Dimensions:



I/O Port:



- A. Audio Line Out/Optical SPDIF_Out
- B. RJ45 Gbe Ethernet
- C. USB 2.0x4
- D. COM port x 3

- E. VGA port
- F. PS/2 mouse and keyboard port
- G. 4 Pin 12V DC in
- H. 12V DC in
- I. Parallel Port

Wall Mount Plate Kit:

