

## Industrial Aluminum PPC-27 Series

### PPC-2706GS/LX-800

AMD Geode LX800 500MHz Processor with 6.5" TFT LCD and Touchscreen

### PPC-2708GHS/LX-800

AMD Geode LX800 500MHz Processor with 8.4" TFT LCD and Touchscreen



#### Features

1. 6.5" TFT VGA LCD / 8.4" TFT SVGA LCD
2. AMD Geode™ LX-800 processor
3. Supports 1 GB (max.) 333/444 MHz DDR SO-DIMM
4. Dual 10/100Mbps Ethernet
5. One CompactFlash® Type I/II socket
6. Aluminum die-casting front panel compliant with IP 65 standard

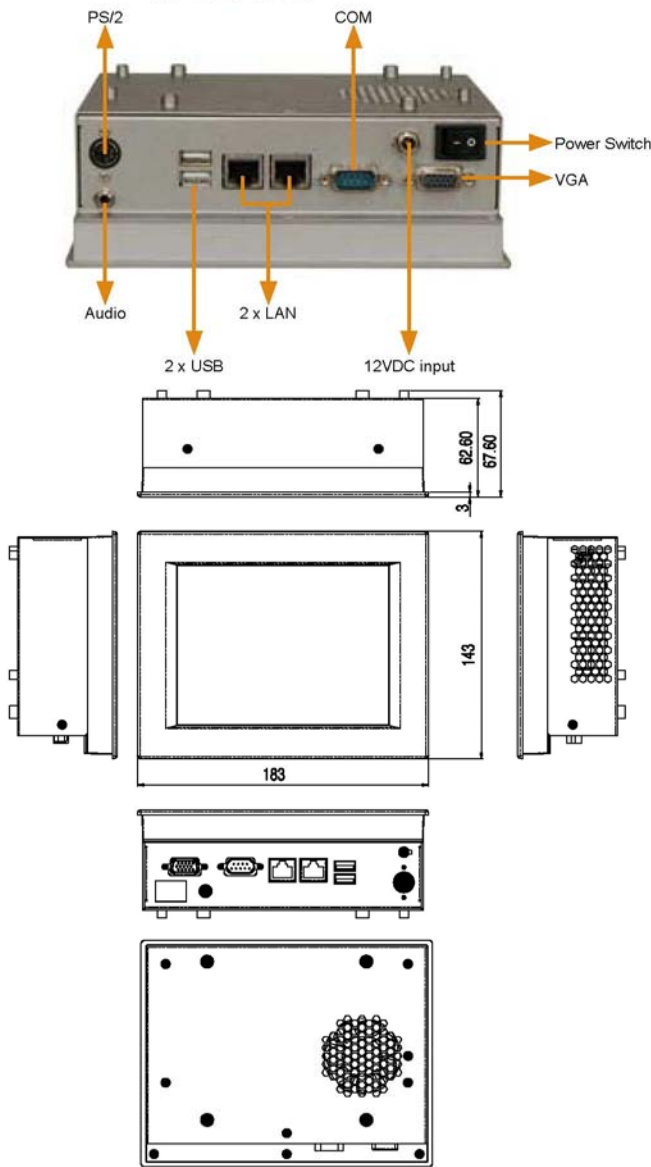


#### Specifications

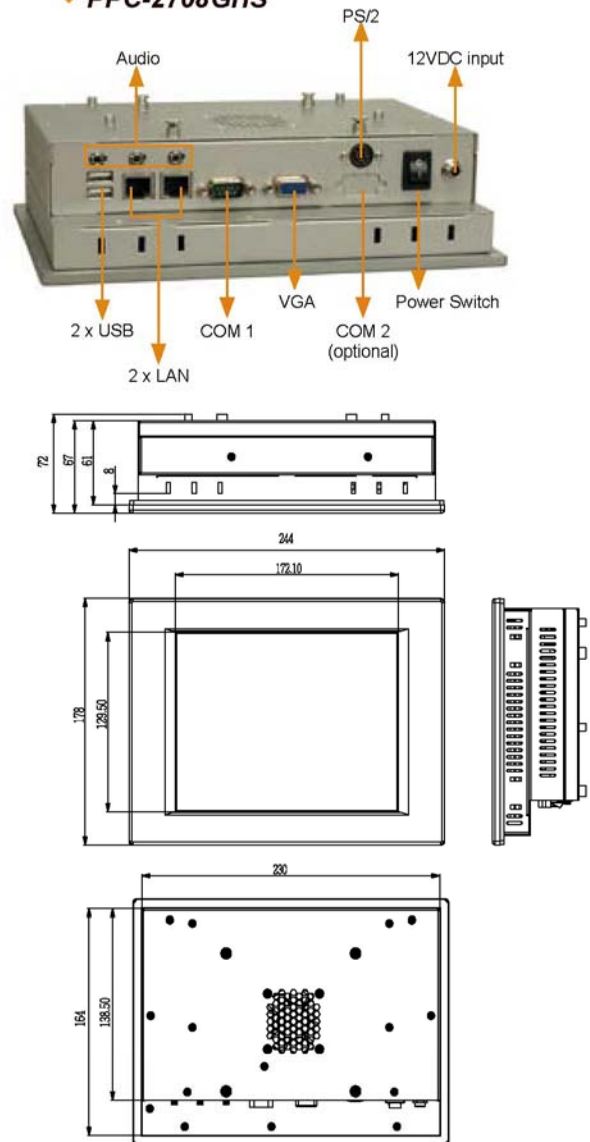
		PPC-2706GS/LX-800	PPC-2708GHS/LX-800
Display	LCD Size	6.5"	8.4"
	Max Resolution	640(W) x 480(H)	800(W) x 600(H)
	Brightness (cd/m <sup>2</sup> )	500	400
	Contrast Ratio	450:1	400:1
	LCD Color	262K	262K
	Pixel Pitch (mm)	0.069(W) x 0.207(H)	0.213(H) x 0.213(V)
	Viewing Angle (V-H)	120/140	100/120
	Backlight MTBF (hrs)	30,000	50,000
Motherboard	SBC Model	WAFER-LX-800	WAFER-LX-800
	CPU	AMD Geode LX800 500MHz processor	AMD Geode LX800 500MHz processor
	Chipset	AMD Geode LX800 + AMD CS5536	AMD Geode LX800 + AMD CS5536
	RAM	Supports one 333/400MHz DDR SO-DIMM(1GB Max.)	Supports one 333/400MHz DDR SO-DIMM(1GB Max.)
I/O Ports and Switches		1 x RS232 COM Port	2 x RS232 COM Port (One optional for Touch Screen)
		2 x USB Port	2 x USB Port
		1 x PS/2 (KB/MS)	1 x PS/2 (KB/MS)
		2 x RJ-45 for 10/100Mbps LAN	2 x RJ-45 for 10/100Mbps LAN
		1 X VGA out	1 X VGA out
		1 x Audio (Line-out)	1 x Audio (Line-in, Line-out, MIC-in)
Driver Bay	HDD Driver Bay	1 x 2.5" SATA/IDE HDD Bay	1 x 2.5" SATA/IDE HDD Bay
	SSD	CF Type II	CF Type II
	CD-ROM Driver Bay	N/A	N/A
Extension Slot		N/A	N/A
Physical	Construction Front Panel	Aluminum	Aluminum
	Construction Chassis	Heavy-duty Steel	Heavy-duty Steel
	Mounting	Panel, Wall, Rack, Stand and Arm VESA 100mm x 100mm	Panel, Wall, Rack, Stand and Arm VESA 100mm x 100mm
	Front Panel Color	Silver (Pantone 8001C)	Silver (Pantone 8001C)
	Dimension (WxHxD) (mm)	183 x 143 x 62.6	244 x 178 x 67
	Net Gross Weight	1.4 Kg / 3.4 Kg	2.2 Kg / 4.4 Kg
Environment	Operation Temperature (°C)	-10°C ~50°C	-10°C ~50°C
	Storage Temperature (°C)	-20°C ~60°C	-20°C ~60°C
	Vibration	5~17Hz, 0.1" double amplitude displacement 17~640Hz, 1.5G acceleration peak to peak	5~17Hz, 0.1" double amplitude displacement 17~640Hz, 1.5G acceleration peak to peak
	Shoock	10G acceleration part to part (11ms)	10G acceleration part to part (11ms)
Touch Screen		Resistive Type 4-Wire with RS-232 interface	Resistive Type 4-Wire with RS-232 interface
Power Supply	AC / DC Power Adapter	P/N: 63000-FSP0601AD101C746-RS 60W Power Adapter Input: 90VAC~264VAC, 50/60Hz Output: 12VDC	P/N: 63000-FSP0601AD101C746-RS 60W Power Adapter Input: 90VAC~264VAC, 50/60Hz Output: 12VDC
Front Panel Protection		IP65 Compliant	IP65 Compliant
Certificate		Meets CE, FCC	Meets CE, FCC

## Dimensions (Unit: mm)

### ▼ PPC-2706GS



### ▼ PPC-2708GHS



## Compact Size

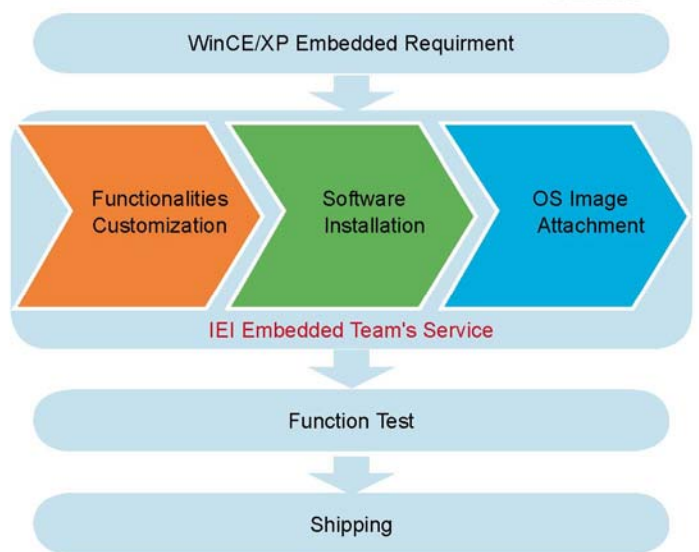
The compact size is suitable for any places with space limitations.

**Only 64.6mm**

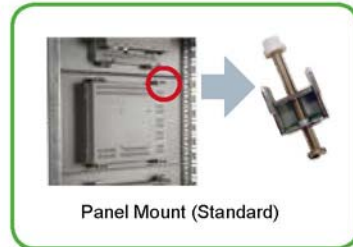


## IEI OS Build Service Flow Chart

IEI offers OS build service in the industrial CF card as the total solution for embedded Panel PC.



## IQ Mount Supporting List



## Packing List

Description	Part Number	Amount
Screw Kit	19600-000207-RS	1
Jumper Pack	33100-000033-RS	1
Power Cord	32000-000002-RS	1
Power Adapter	63000-FSP601AD101C712-RS	1
PS/2 Cable	32000-000138-RS	1
Panel Mounting Kits	PK-065M (PPC-2706GS/LX) PK-084M (PPC-2708GHS/LX)	1
Wall Mounting Kit	WK-190MS-R10	1
Din Mounting Kit	19Z00-000025-R10 (PPC-2708GS/LX)	1
HDD IDE Cable	32200-079100-RS	2
Touch Screen Driver CD / Touch Pen		1
User Manual & Driver CD		1

## Options

	PPC-2706GS/LX	PPC-2708GHS/LX
Rack Mount Kits	RK-065MS-R10	RK-084MS-R10
LCD Monitor Arm	ARM-11-RS	ARM-11-RS
LCD Monitor Stand Din Mounting Kits	STAND-100-RS/STAND-150-RS DK-084MS	STAND-100-RS/STAND-150-RS DK-084MS
Din Mounting Kits	DK-084MS	DK-084MS

## Ordering Information

6.5" TFT LCD	PPC-2706GHS/LX-800/T-R/256MB	6.5" 500 cd/m <sup>2</sup> VGA TFT Panel PC with WAFER-LX-800, Silver color and Touch Screen, 256MB DDR RAM, RoHS
8.4" TFT LCD	PPC-2708GHS-R11/LX-800/T-R/256MB	8.4" 400 cd/m <sup>2</sup> SVGA TFT Panel PC with WAFER-LX-800 Silver color and Touch Screen, 256MB DDR RAM, RoHS
	PPC-2708GHS-R11/LX-800/T-R/512MB	8.4" 400 cd/m <sup>2</sup> SVGA TFT Panel PC with WAFER-LX-800 Silver color and Touch Screen, 512MB DDR RAM, RoHS



Distributed by:  
i-Tech Company LLC

TOLL FREE: (888) 483-2418 • EMAIL: [info@i-techcompany.com](mailto:info@i-techcompany.com) • WEB: [www.i-techcompany.com](http://www.i-techcompany.com)